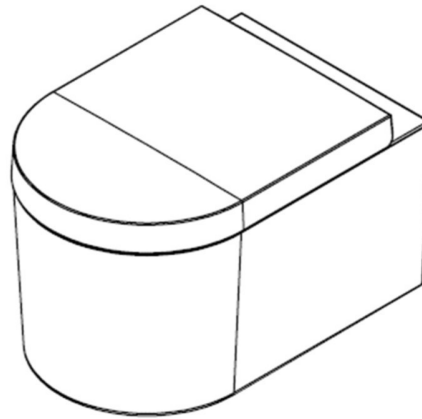




TECHNICAL SPECIFICATIONS

WC PAN

Block



Features

- Wall hung solid wood composite WC pan
- Rimless design
- Soft-close cover and seat
- Hidden fastenings
- Durable, scratch resistant finish

Material

Woodio™ solid wood composite with wood content even up to 80% by volume. High-quality UV and scratch resistant gel coat finishing.

Certification

Wood chips used in the product is FSC® certified which ensure that they are from forests that are managed responsibly.

Declared performance

Product is CE marked and meets the criteria of European standard EN 997:2012 WC pans and WC suites with integral trap.

Essential Characteristics	Performance	Harmonized technical specification
Capacity of flushing water	Pass	EN 997:2012
Cleanability	Pass	
Load resistance	Pass	
Water/leak tightness	Pass	
Durability	Pass	

General dimensions

	Metric	Imperial
Outer dimensions (LWH)	542 x 366 x 393 mm	21.3 x 14.4 x 15.5"
Empty weight	29,7 kg	65 lbs.
Flush water volume	3 – 6 l	0.8 – 1.6 gal
Drainpipe connection	102 mm	4"
Flush water connection	57 mm	2.2"

Installation

Installation requires separate flushing cistern that must comply with standard EN 14055:2010. Required bolt spacing is 180mm.

Toilet seat, toilet cover and soft-close hinges are pre-installed and included in the package.

The package contains installation instructions.

Colours

Pans are available in different colours.



Natural / Aspen 2mm



Polar / Aspen 2mm



Char / Aspen 2mm

TECHNICAL SPECIFICATIONS

WC PAN



Block

Key dimensions

All dimensions are in millimeters.

