



**SAUNA
STOVES**

**CHIMNEY
SETS**

**STOVE
ACCESSORIES**

**HOT TUB
HEATERS**

CONTENT

Benefits of sauna	3
Vilpra industries	4
Environmentally friendly manufacturing	5
FLAMO	6
FORNAX-E	7
GRANNUS	8
FORNAX	10
ETNA	12
Chimney set	14
Accessories for sauna heaters	16
Tiny sauna solution	17
Hot tub heater	20

BENEFITS OF SAUNA

PAIN RELIEF

Sauna use may offer relief for people with chronic pain conditions, such as arthritis and fibromyalgia, due to the relaxation of muscles and increased blood flow.

RESPIRATORY BENEFITS

Inhaling the warm, humid air in saunas can help clear nasal passages, ease congestion, and provide temporary relief for respiratory conditions like colds and allergies.

IMPROVES MEMORY & ATTENTION

Sauna bathing can improve cognitive function. Sauna bathing has been shown to improve cognitive function in older adults and reduce the risk of dementia. Sauna bathing also helps to improve memory, attention, and concentration.



SLEEP

Sauna bathing can help to improve sleep quality by reducing stress levels and promoting relaxation. Sauna bathing also helps to regulate body temperature, which can improve sleep.



HEART

The heat in saunas causes blood vessels to dilate, leading to improved circulation. This can be beneficial for heart health and may help reduce the risk of cardiovascular diseases.

MUSCLES

The heat from a sauna can relax muscles and reduce tension, which may provide relief for individuals with muscle aches and pains.

SKIN

Sweating can help cleanse the skin by clearing out impurities and unclogging pores. This may lead to improved skin health and a more radiant complexion.

STRESS REDUCTION

Saunas provide a calming and stress-reducing environment. The heat and relaxation can help lower stress levels, promote relaxation, and improve overall mental well-being.

VILPRA INDUSTRIES

THE COMPANY

In the year of 1998, JSC Vilpra has established its first manufacturing department, later to be known as Vilpra Industries. Vilpra Industries became a separate company in the year of 2007, and opened its new factory near Vilnius (Lithuania). Today Vilpra Industries is known for its three brands: Vilpra Chimneys, Vilpra Sauna, Vilpra Technologies. Vilpra Industries is a part of a corporate group known as Vilpra group.

Through the years company has improved its competence and technology in stainless steel chimney, heating stoves and sauna heaters manufacturing.

The team consists of over 60 professionals. With wide design and technological capabilities Vilpra Industries is able to successfully adapt to various market demands.



TÜV THÜRINGEN

Vilpra industries is certified by TÜV Thüringen to ensure the highest quality standards and environmental responsibility.

ENVIRONMENTALLY FRIENDLY MANUFACTURING

Vilpra Industries products are made at a factory that is partly powered by renewable energy (solar). Not only the production process is aligned with sustainability goals, but also efforts were made to ensure that CO₂ emissions are reduced further into the product lifecycle – due to the special technology Vilpra Industries sauna heaters release less CO₂ while burning wood. Lastly, the company uses sustainable packaging, recycle, reuse and continuously search for new ways to make the products greener along the cycle of production and product use.



COOPERATION WITH UNIVERSITY

In order to develop efficient technologies, Vilpra Industries closely cooperates with scientific institutions, especially in developing efficient wood-burning technologies. Thanks to successful cooperation, in 2023, the combustion chamber of the sauna stove was updated with a new combustion system, resulting in combustion efficiency exceeding 73%. Investments and innovations have led to excellent results in reducing CO₂ and particulate emissions.



FLAMO

INSPIRED BY THE FINNISH SAUNA TRADITION

Transport yourself to the heart of sauna culture with our Flamo sauna heater designed specifically for medium-sized saunas. Crafted with precision and inspired by Finnish design principles, this wood-burning heater combines elegance with functionality for an unparalleled sauna experience. Meticulously crafted from the finest quality materials, our Flamo sauna heater is engineered to elevate your sauna sessions to new levels of comfort and relaxation.

With its authentic wood-burning design, it embodies the essence of traditional sauna heating methods, allowing you to immerse yourself fully in the age-old rituals of sauna bathing. Whether you're seeking warmth, rejuvenation, or simply a moment of tranquility, the Flamo sauna heater delivers with unparalleled efficiency and reliability. Embrace the beauty of craftsmanship and embark on a journey of wellness and serenity in your own personal sauna sanctuary.

Model	Recommended sauna room size min-max m3	Dimensions (W x D x H) mm	Weight KG	Max load of stones KG	Flue outlet position	Certificate
FLAMO-14-V	7-13	420x440x670	50	30-35	Top	CE



FORNAX-E

WHERE TRADITION MEETS INNOVATION

Immerse yourself in the timeless tradition of sauna bathing with our Fornax-E sauna heater, meticulously crafted to offer both authenticity and innovation. Designed for medium-sized saunas, this wood-burning heater brings together the warmth of natural flames with the efficiency of secondary combustion, ensuring an unparalleled sauna experience. Engineered with precision, the Fornax-E heater features a unique secondary combustion system that maximizes heat output while minimizing wood consumption.

This innovative technology not only enhances the efficiency of the heater but also reduces emissions, making it both environmentally friendly and cost-effective to operate. Constructed from high-quality materials, the Fornax-E sauna heater is built to last. Its robust design, coupled with advanced safety features, ensures reliable performance and peace of mind during sauna sessions. Plus, with a spacious stone compartment, it provides ample room for sauna stones, allowing for optimal steam production and a truly authentic sauna experience.

Model	Recommended sauna room size min-max m3	Dimensions (W x D x H) mm	Weight KG	Max load of stones KG	Flue outlet position	Certificate
FORNAX-E-V	7-13	420x440x670	50	30-35	Top/Back	CE, BlmSchV2

GRANNUS

FOR SMALL AND COZY SAUNA

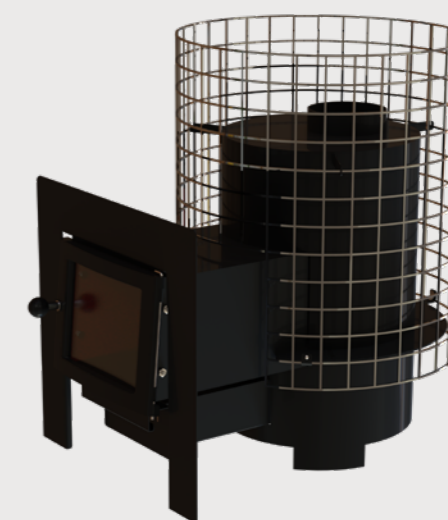


GRANNUS-8 is a traditional Finnish design stove with a modern combustion chamber manufactured in Lithuania. This union of two countries who adore sauna procedures has made it possible to create reliable and efficient sauna heaters that are characterized by practical design and durability. The solid construction of the stoves and the large capacity of the stones guarantee a pleasant and even steam. The sauna heater is black matt with a stainless steel rim at the top, which facilitates the maintenance of the heater. The combustion chamber is designed to achieve the highest possible efficiency, which allows you to heat the sauna room faster using less firewood. The combustion chamber of the stove is made of 4 mm metal thickness to ensure the longevity of the stove. The heat-resistant stove door will help maintain even combustion and create a cozy sauna atmosphere. This stove model can be installed with **Vilpra** sauna 24 l water tank mounted on the chimney. Two options available - **Grannus VPR-8** and **Grannus VPR-8L** with external firebox.

GRANNUS-8-V



GRANNUS-8-L-V



Model	Power kW	Recommended sauna room size min-max m3	Dimensions (W x D x H) mm	Weight KG	Max load of stones KG	Flue gases outlet diameter mm	Safe distances to combustible materials w(Front x Sides x Upwards)				Water tank capacity	Flue outlet position	Certificate
							Front	Sides	Back	Ceiling			
GRANNUS-8-V	8	6-10	440x520x600	23	60-70	115	500	200	200	1200	-	Top	CE
GRANNUS-8-L-V	8	6-10	440x690x600	27	60-70	115	500	200	200	1200	-	Top	CE

FORNAX

FOR A MEDIUM SAUNA

FORNAX is a traditional Finnish design stove with a modern combustion chamber manufactured in Lithuania. This union of two countries who adore sauna procedures has made it possible to create reliable and efficient sauna heaters that are characterized by practical design and durability. The solid construction of the stoves and the large capacity of the stones guarantee a pleasant and even steam. The sauna heater is black matt with a stainless steel rim at the top, which facilitates the maintenance of the heater. The combustion chamber is designed to achieve the highest possible efficiency, which allows you to heat the sauna room faster using less firewood. The combustion chamber of the stove is made of 4 mm metal thickness to ensure the longevity of the stove. The heat-resistant stove door will help maintain even combustion and create a cozy sauna atmosphere. For those who want to install a sauna heater on the other side of the wall, it is possible to install a telescope. This stove model can be installed with Vilpra sauna 24 l water tank mounted on the chimney.



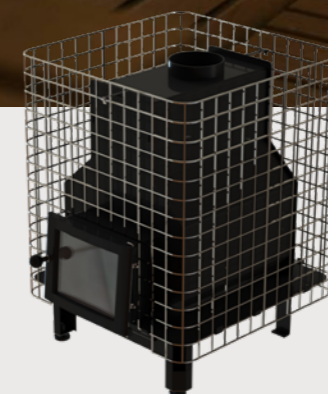
FORNAX-14-V



FORNAX-14-L-V



FORNAX-14-N-V



FORNAX-14-NL-V



Model	Power kW	Recommended sauna room size min-max m3	Dimensions (W x D x H) mm	Weight KG	Max load of stones KG	Flue gases outlet diameter mm	Safe distances to combustible materials w(Front x Sides x Upwards)				Water tank capacity	Flue outlet position	Certificate
							Front	Sides	Back	Ceiling			
FORNAX-14-V	14	7-13	420x510x670	50	30-35	115	1000	500	500	1370	-	Top / Back	CE
FORNAX-14-L-V	14	7-13	420x690x670	54	30-35	115	1000	500	500	1370	-	Top / Back	CE
FORNAX-14-N-V	14	7-13	490x590x670	41	100	115	1000	500	500	1370	-	Top	CE
FORNAX-14-NL-V	14	7-13	490x750x670	45	100	115	1000	500	500	1370	-	Top	CE

ETNA

FOR BIGGER SAUNA

ETNA is a traditional Finnish design stove with a modern combustion chamber manufactured in Lithuania. This union of two countries who adore sauna procedures has made it possible to create reliable and efficient sauna heaters that are characterized by practical design and durability. The solid construction of the stoves and the large capacity of the stones guarantee a pleasant and even steam. The sauna heater is black matt with a stainless steel rim at the top, which facilitates the maintenance of the heater. The combustion chamber is designed to achieve the highest possible efficiency, which allows you to heat the sauna room faster using less firewood. The combustion chamber of the stove is made of 8 mm metal thickness to ensure the longevity of the stove. The heat-resistant stove door will help maintain even combustion and create a cozy sauna atmosphere. For those who want to install a sauna heater on the other side of the wall, it is possible to install a telescope. This stove model can be installed with Vilpra sauna 24 l water tank mounted on the chimney. The ETNA, a variation of this classic sauna stove, introduces an additional stainless steel net that can be filled with more stones. This innovative feature enhances the stone capacity, offering you an even more immersive and indulgent sauna experience. Elevate your sauna rituals with the ETNA, where tradition meets innovation with an added twist of enhanced stone capacity for your utmost relaxation.



ETNA-22-V



ETNA-22-L-V



ETNA-22-N-V



ETNA-22-WT-V

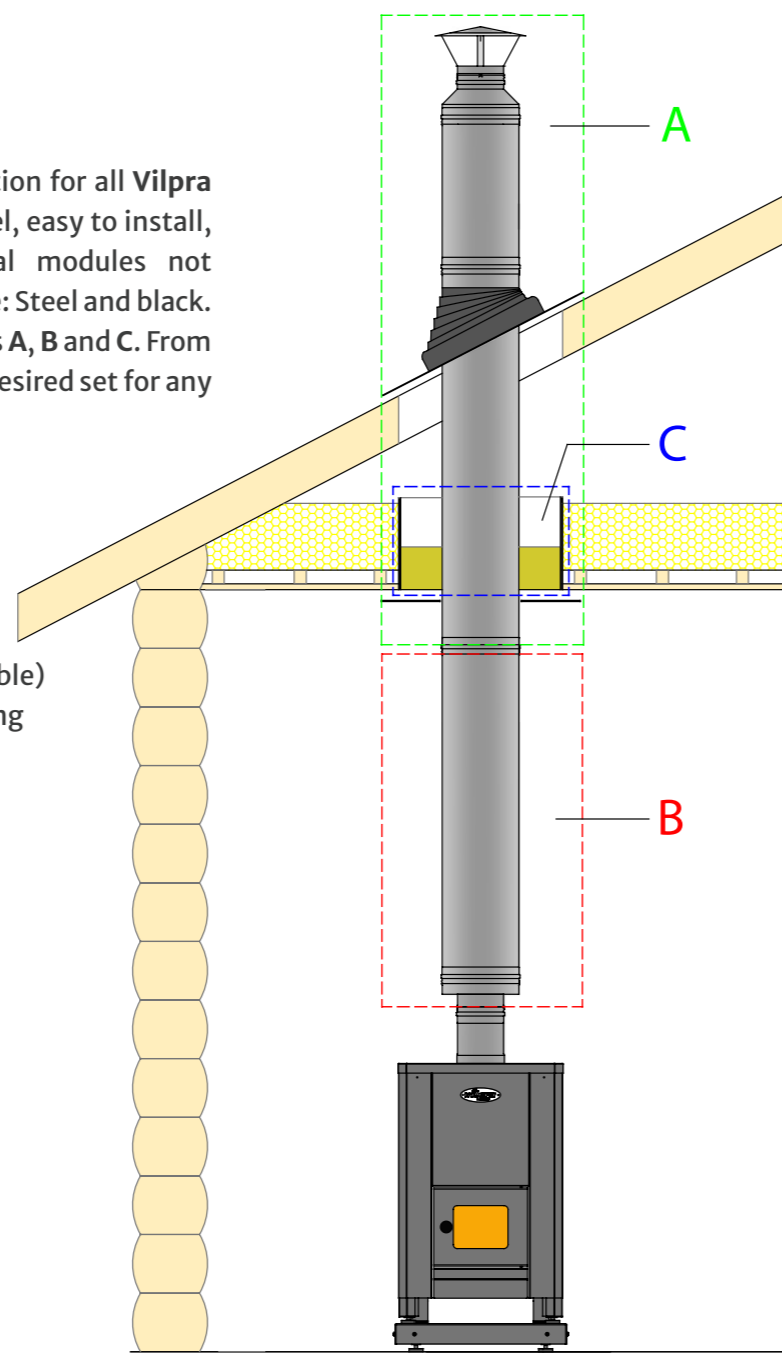


Model	Power kW	Recommended sauna room size min-max m3	Dimensions (W x D x H) mm	Weight KG	Max load of stones KG	Flue gases outlet diameter mm	Safe distances to combustible materials w(Front x Sides x Upwards)				Water tank capacity	Flue outlet position	Certificate
							Front	Sides	Back	Ceiling			
ETNA-22-V	22	10-24	430x590x730	70	40-50	115	1000	500	500	1370	-	Top / Back	CE
ETNA-22-L-V	22	10-24	430x770x730	74	40-50	115	1000	500	500	1370	-	Top	CE
ETNA-22-N-V	22	10-24	490x670x690	59	110	115	1000	500	500	1370	-	Top	CE
ETNA-22-WT-V	22	10-24	530x730x730	75	40-50	115	1000	500	500	1370	-	Top / Back	CE

CHIMNEY SET

UNIVERSAL CHIMNEY SOLUTION

A complete universal chimney solution for all **Vilpra** sauna stoves. Made of stainless steel, easy to install, can be expanded with additional modules not included to set. Two collors available: Steel and black. The set of chimneys consists of parts **A**, **B** and **C**. From them it is possible to assemble the desired set for any type of sauna.



- A** – Upper part (constant part)
- B** – Adjustable part (4 options available)
- C** – Chimney passage through building ceiling (2 options available)

A section

Rain cap, top cover, chimney section L-0,5 m, chimney section L-1,0 m, roof flashing kit, decorative plate



 <p>B1 section Double Wall Chimney Section, L-1 m Locking Band H-12 mm Bottom Cover</p>	 <p>B2 section Net for stones around chimney Single Wall Chimney Section, L-1 m Locking Band H-12 mm Bottom Cover</p>	 <p>C1 section Shell Insulation</p>
 <p>B3 section Water tank Single Wall Chimney Section, L-0,5 m Locking Band H-12 mm – 2pcs Bottom Cover</p>	 <p>B4 section Water tank, L-1 m</p>	 <p>C2 section Insulation for penetration Prorox s-50 mm, h-500 mm Insulation for penetration Superwool s-50 mm, h-200 mm, up to d.280 mm</p>

ADDITIONAL MODELS FOR CHIMNEY SET

S1-1001-0115-050-131-V
Single wall section 0,5m

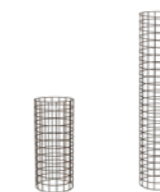
98-0295-0215-050-1N1-V
Net for stones around chimney 0,5m

D1-1001-0115-050-131-V
Double wall section 0,5m

S1-1001-0115-100-131-V
Single wall section 1,0m

98-0295-0215-100-1N1-V
Net for stones around chimney 1,0m

D1-1001-0115-100-131-V
Double wall section 1,0m



S1-1004-0115-000-131-V
Single wall damper

D1-1004-0115-000-131-V
Double wall damper



Additional models can be added to the **universal chimney set**.

ACCESSORIES FOR SAUNA HEATERS

S1-1001-0115-015-131-V		98-0002-0115-032-131-V	
SW flue liner section NP (304) (s-0,8 mm) d.115, L-0,15 m		Water tank (stainless steel); • 24 l capacity • Installed above the stove • Water tap included • Measurements (WxDxH): 360x250x400mm • Made of stainless steel	
98-0002-0115-032-13B-V		98-0294-0115-032-131-V	
Water tank (black); • 24 l capacity • Installed above the stove • Water tap included • Measurements (WxDxH): 360x250x400mm • Made of stainless steel		Water tank round (stainless steel), d215	
98-0294-0115-032-13B-V		98-0075-0000-000-121-V	
Water tank round (black), d215		Heater protection form two parts NP 536x526x782 (polished)	
98-0094-0000-000-121-V		98-0074-0000-000-121-V	
Heater protection arched NP 880x952x890 mm (r=690 mm) (polished)		Stove protection (three parts, double), (WxDxH) 530x570x800	
98-0231-4952-085-141-V		98-0231-4952-085-24B-V	
Stove protection (three parts) • Can only be used with Protection under the stove 98-0018-4952-000-96B-V • (WxDxH) 440x520x855		Stove protection (three parts, black) • Can only be used with Protection under the stove 98-0018-4952-000-96B-V • (WxDxH) 440x520x855	
98-0273-3549-000-141-V		98-0018-4452-000-96B-V	
Floor protection plate NP (s-1mm) 350x485		Protection under the stove 440x515 (Painted)	
98-0018-4952-000-96B-V		98-0057-0220-098-111-V	
Protection under the stove 485x515 (Black structure)		Protection for flue liner d.220, L-0.98m (polished) (304) (For hot tub heater)	



TINY SAUNA SOLUTION

WHERE LUXURY MEETS DURABILITY

Vilpra Sauna has developed a special solution allowing to reduce distances to combustible materials to just 10 cm on the sides and back. This is an ideal solution, enabling safe enjoyment of sauna pleasures even in small saunas.



Heat shield protection



Protection under the stove



Double wall chimney set



SAUNA STOVE FORNAX-14-V

Heat shield protection

NP, s-1mm, 487x520, L-0.855m

Product code: 98-0231-4952-085-141-V

Protection under the stove

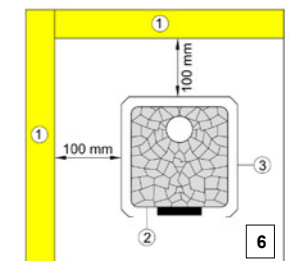
485x515 (black structure)

Product code: 98-0018-4952-000-96B-V

Double wall chimneys

DW50Sauna set CS d.115/215

Product code: SET-CS-DW50Sauna-115-V



1. Combustible material
2. Sauna stove VPR-14
3. Heat shield protection

HOT TUB HEATER

WHERE LUXURY MEETS DURABILITY

Experience the epitome of relaxation with our state-of-the-art Stainless Steel Hot Tub Heater. Crafted with precision and care, this heater is the ultimate companion for your hot tub, ensuring you enjoy soothing warmth and comfort every time you take a dip.

Hot tub heater is designed for hassle-free installation and maintenance. The water circulation works naturally, without the need for a water pump and electrical input.



External heater more space inside tub

Natural water circulation

Made of stainless steel

Frame and doors made of cast iron

Model	Heat output KW	Dimensions mm
HEATER-EX-CH-VP1-V	15	430x410x560
HEATER-EX-CH-VP2-V	30	650x610x810

vilpra
Sauna

UAB "Vilpros pramonė"

Vilniaus g. 11, Izabelinės k., LT-14200 Vilniaus r.

+370 5 274 0200

info@vilprasauna.lt; sales@vilprasauna.com

www.vilprasauna.com