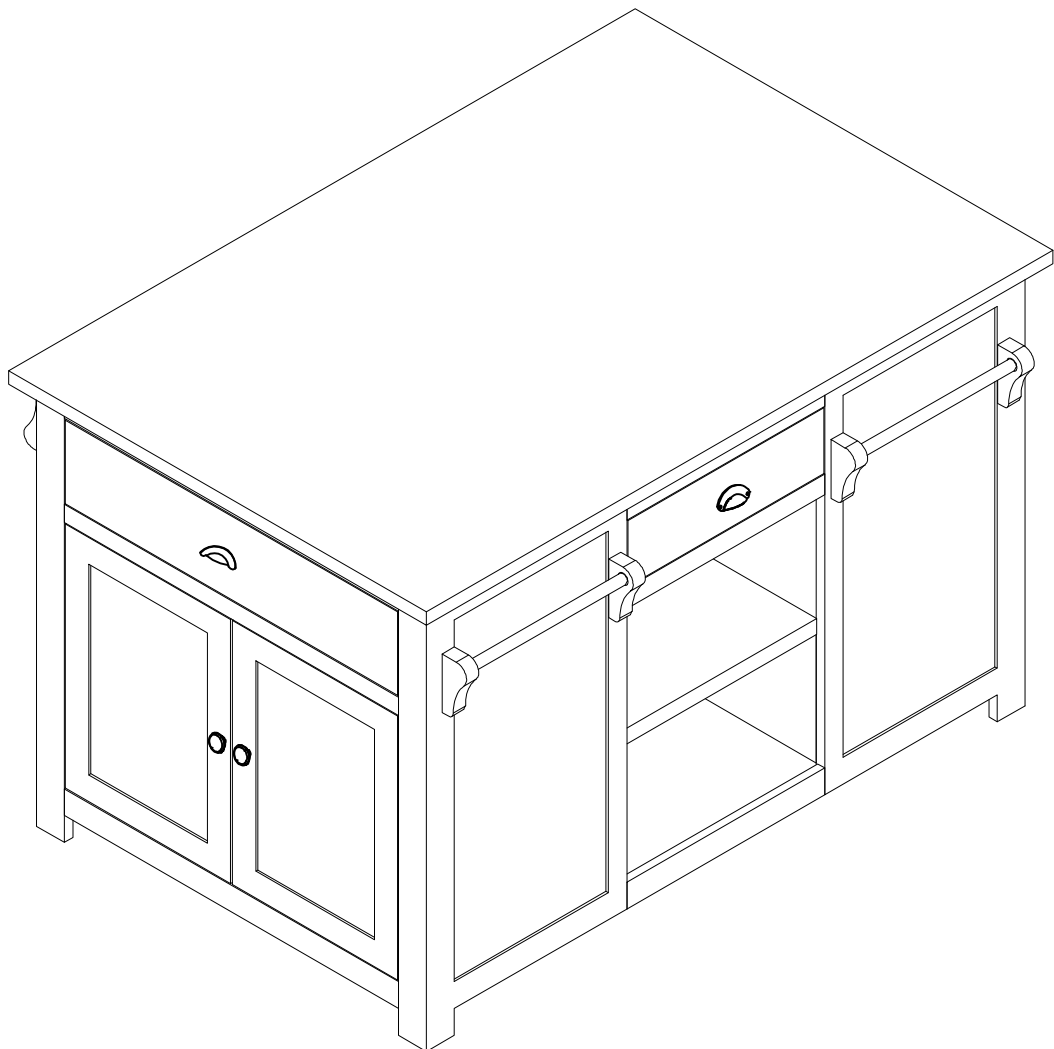
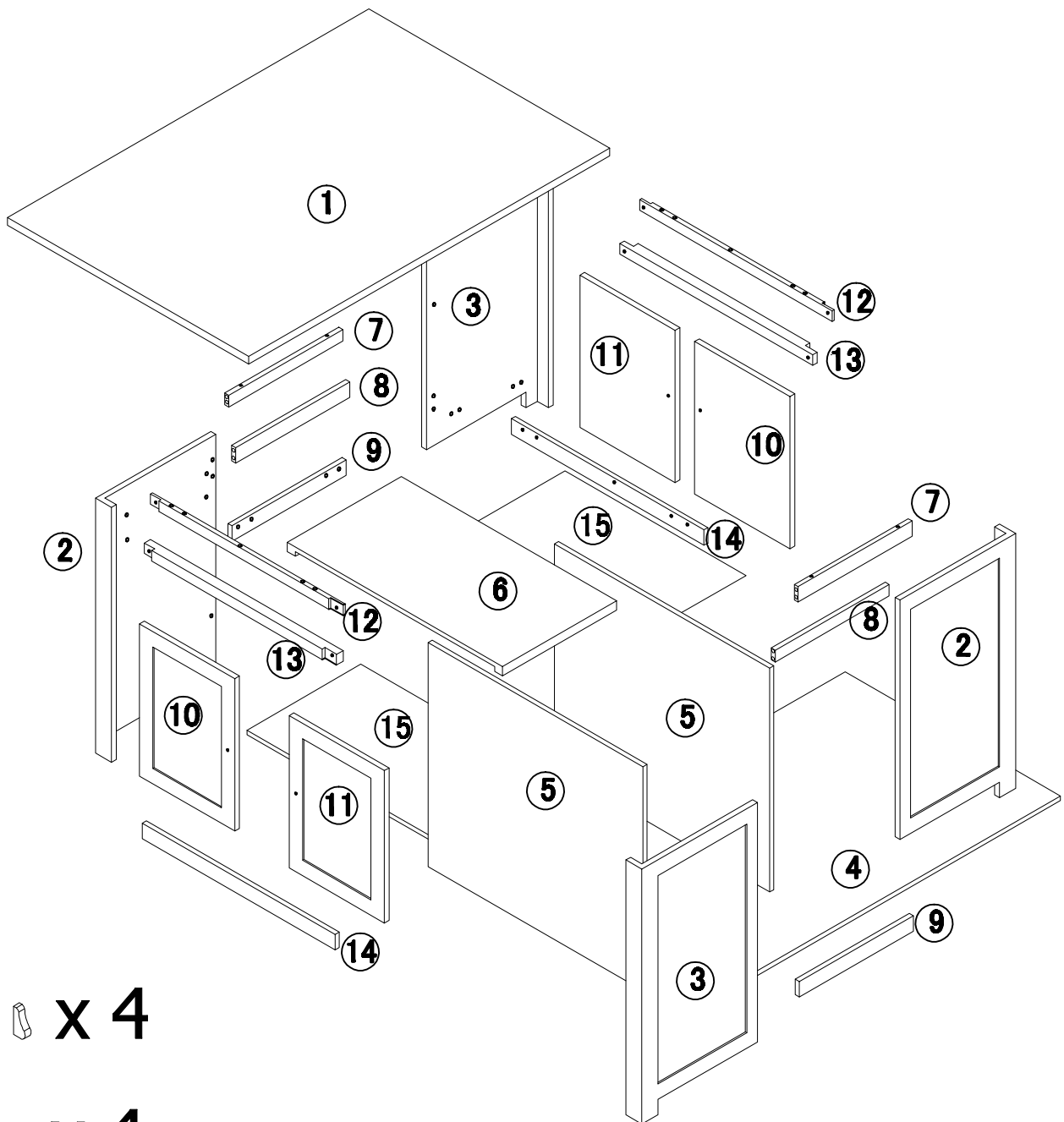



KC181001-WT


KC181001-GY

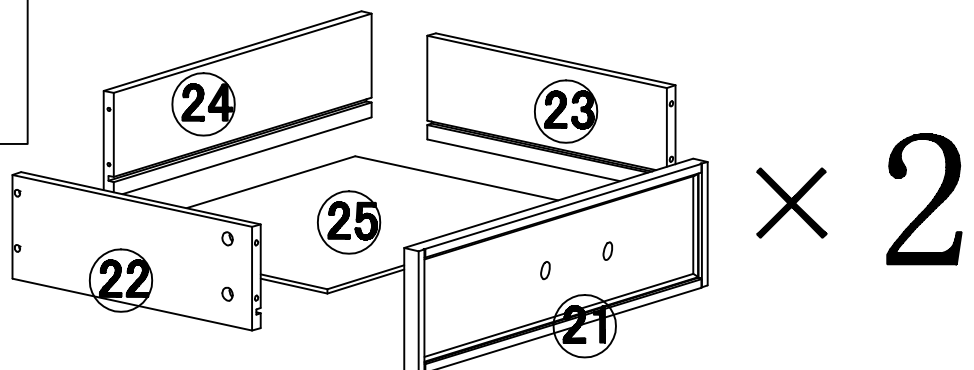
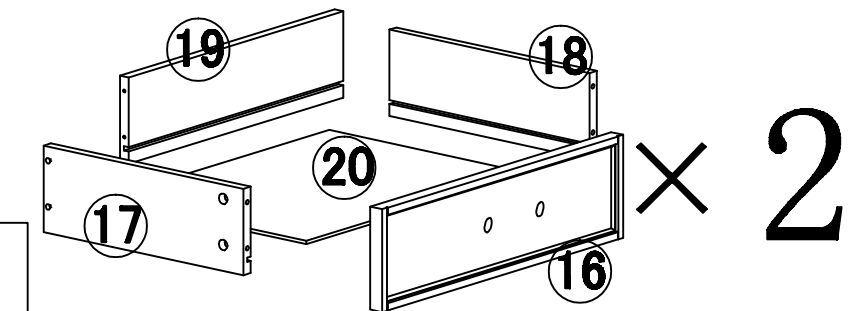
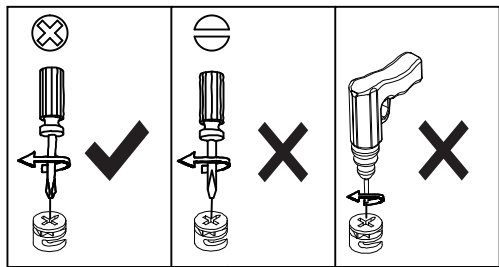
KC181002-NO

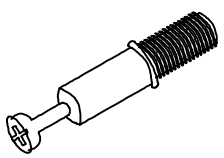

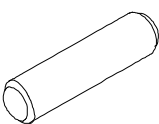
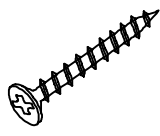

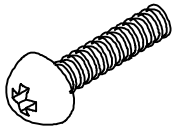
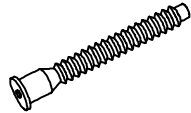
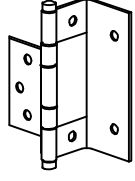
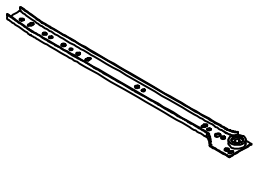
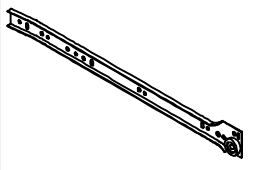
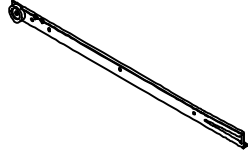
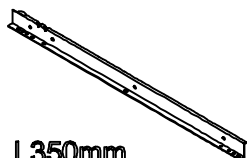


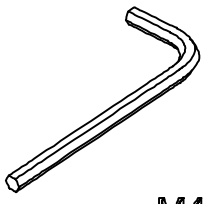
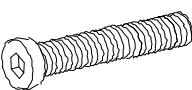
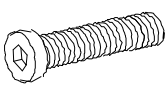

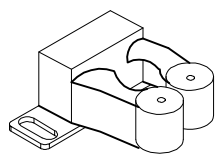
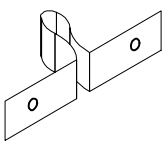

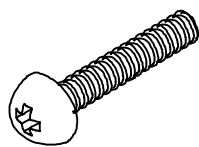
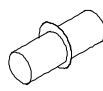
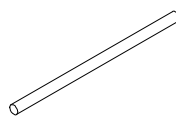
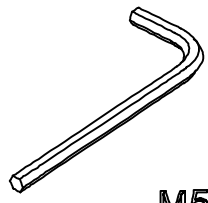
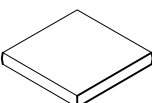




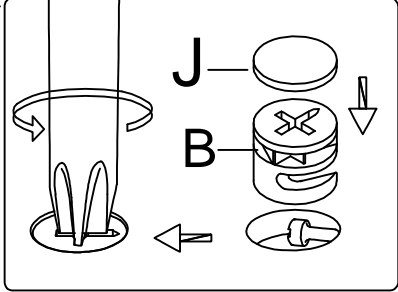
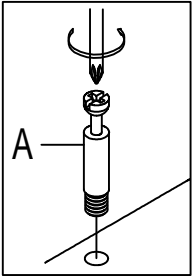
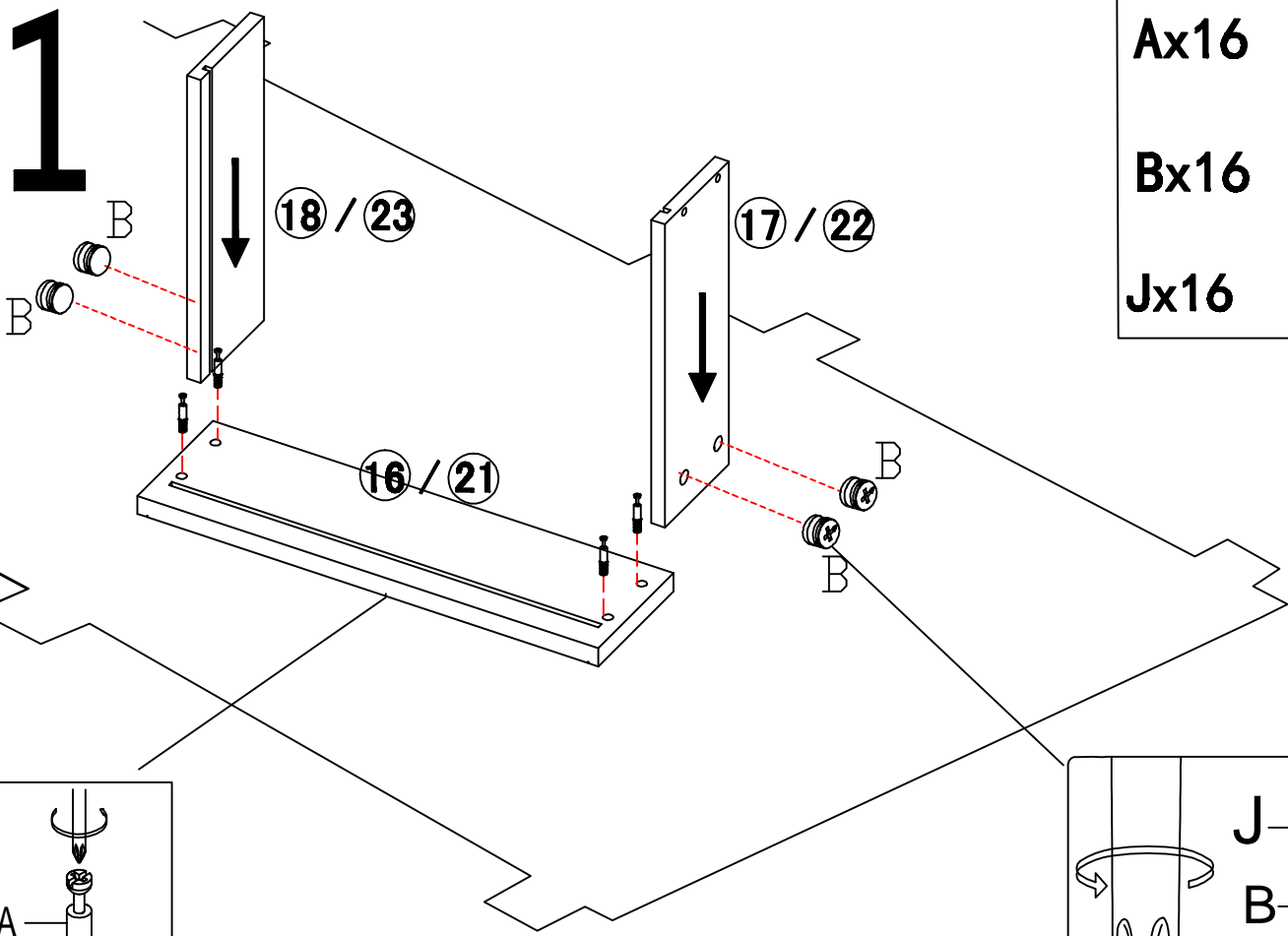
26  x 4

27  x 4

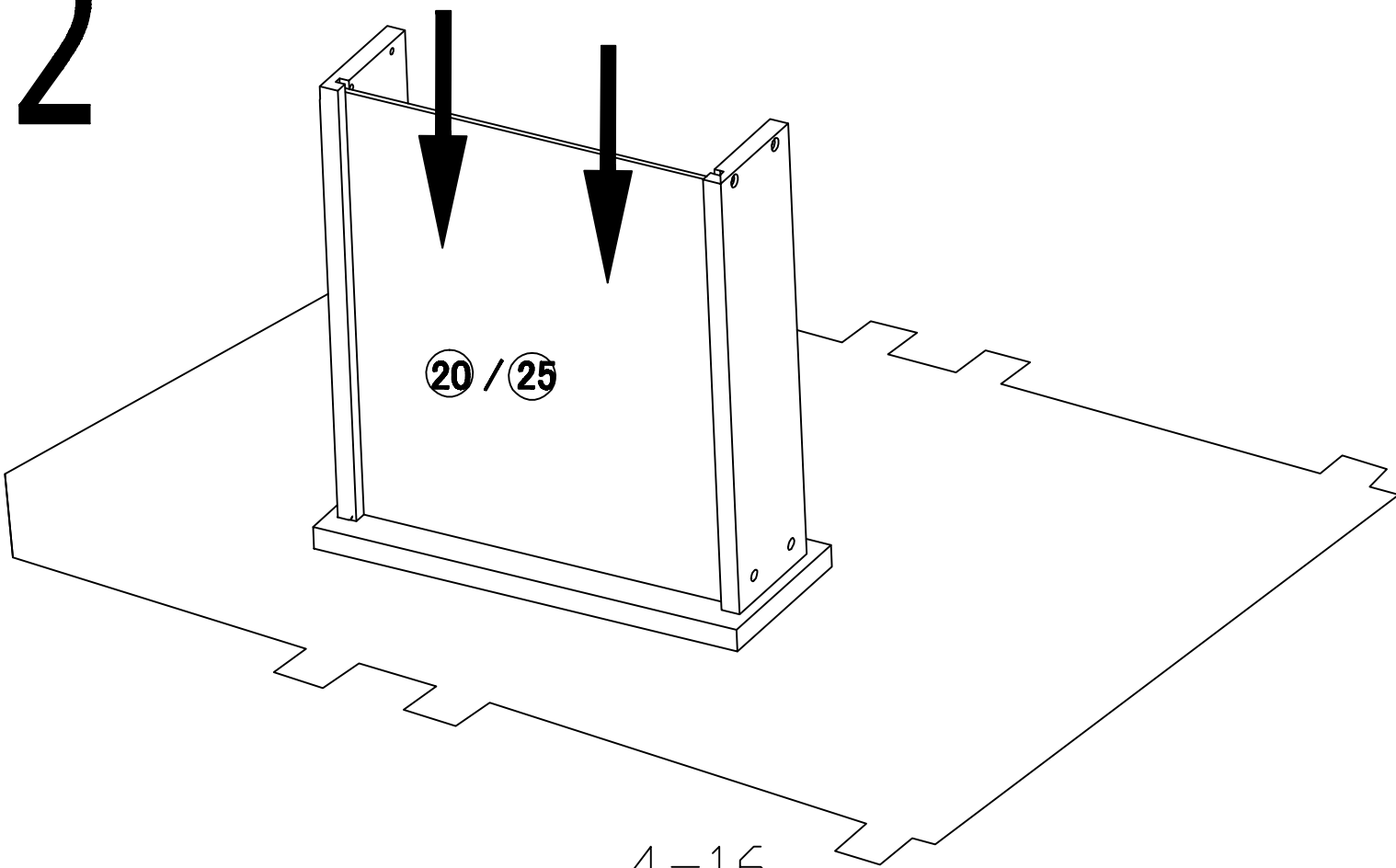


Ax58  $\varnothing 6 \times 34 \text{mm}$	Bx58  $\varnothing 15 \times 9 \text{mm}$	Cx56  $\varnothing 8 \times 30 \text{mm}$	Dx16  $\varnothing 4.0 \times 30 \text{mm}$	Ex112  $\varnothing 3.5 \times 14 \text{mm}$
Fx8  $\varnothing 4 \times 10 \text{mm}$	Gx6  $\varnothing 7 \times 50 \text{mm}$	Hx8 	CLx4  L350mm	CRx4  L350mm
DLx4  L350mm	DRx4  L350mm	Jx22  $\varnothing 21 \text{mm}$	Kx4 	Lx1  M4
Mx6  $\varnothing 8 \times 45 \text{mm}$	Nx24  $\varnothing 6 \times 30 \text{mm}$	Ox24  $\varnothing 6 \times 16 \text{mm}$	Px4 	Qx4 
Rx4  $\varnothing 25 \times 25 \text{mm}$	Sx4  $\varnothing 4 \times 22 \text{mm}$	Tx8  $\varnothing 5 \text{mm}$	Vx4  $\varnothing 19 \times 360$	Wx1  M5
Xx4 				

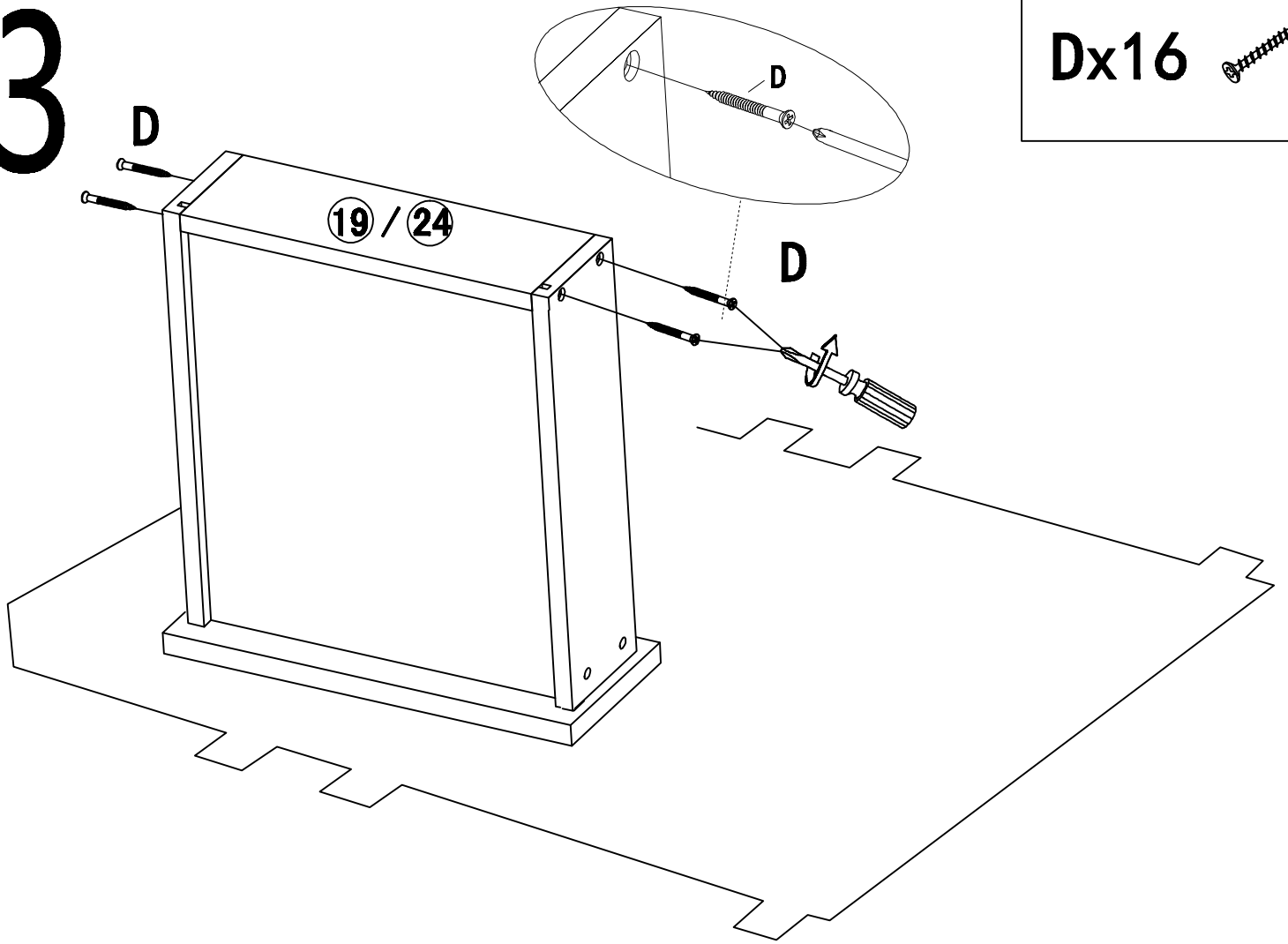
1



2



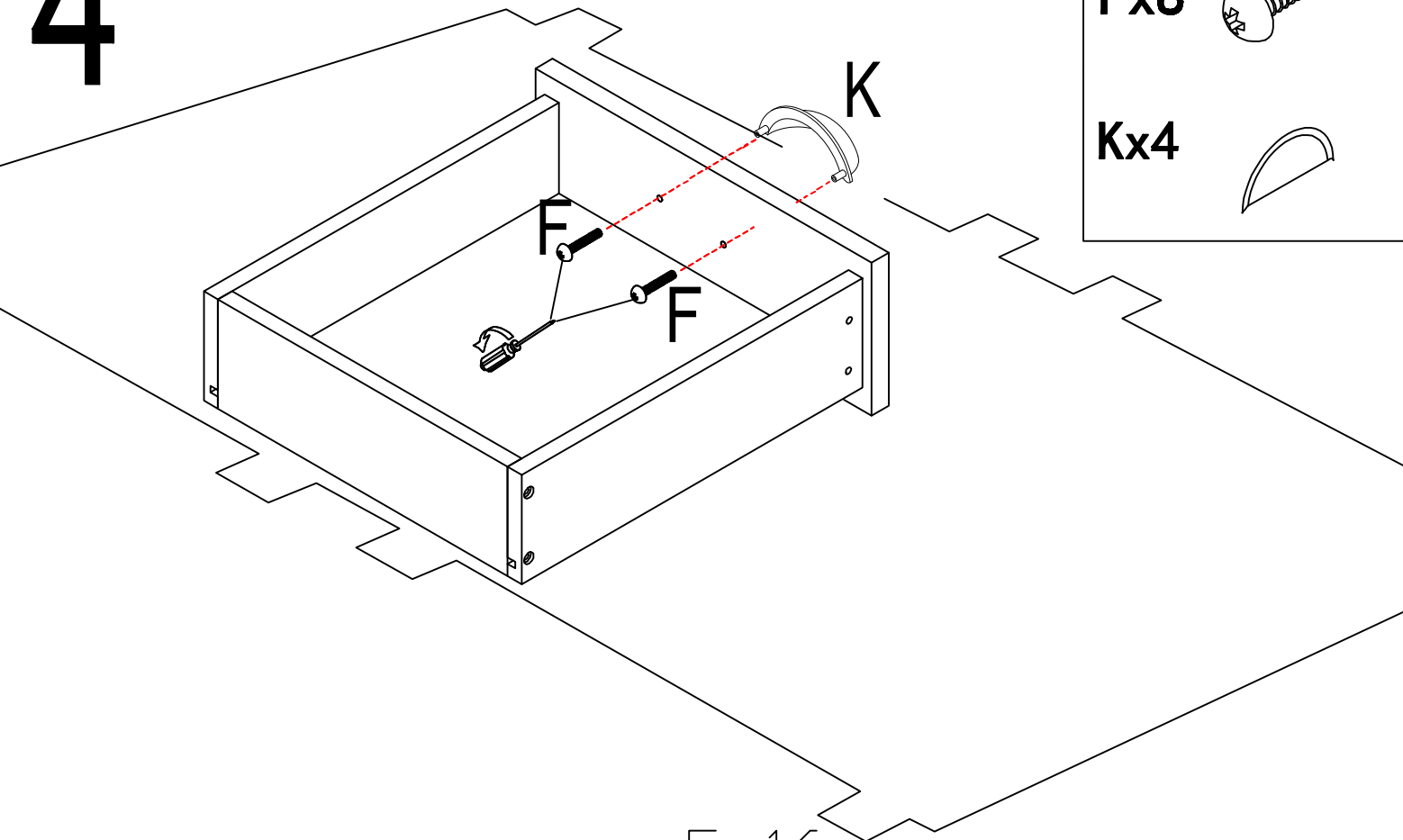
3



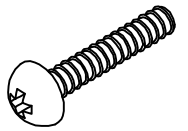
Dx16



4



Fx8

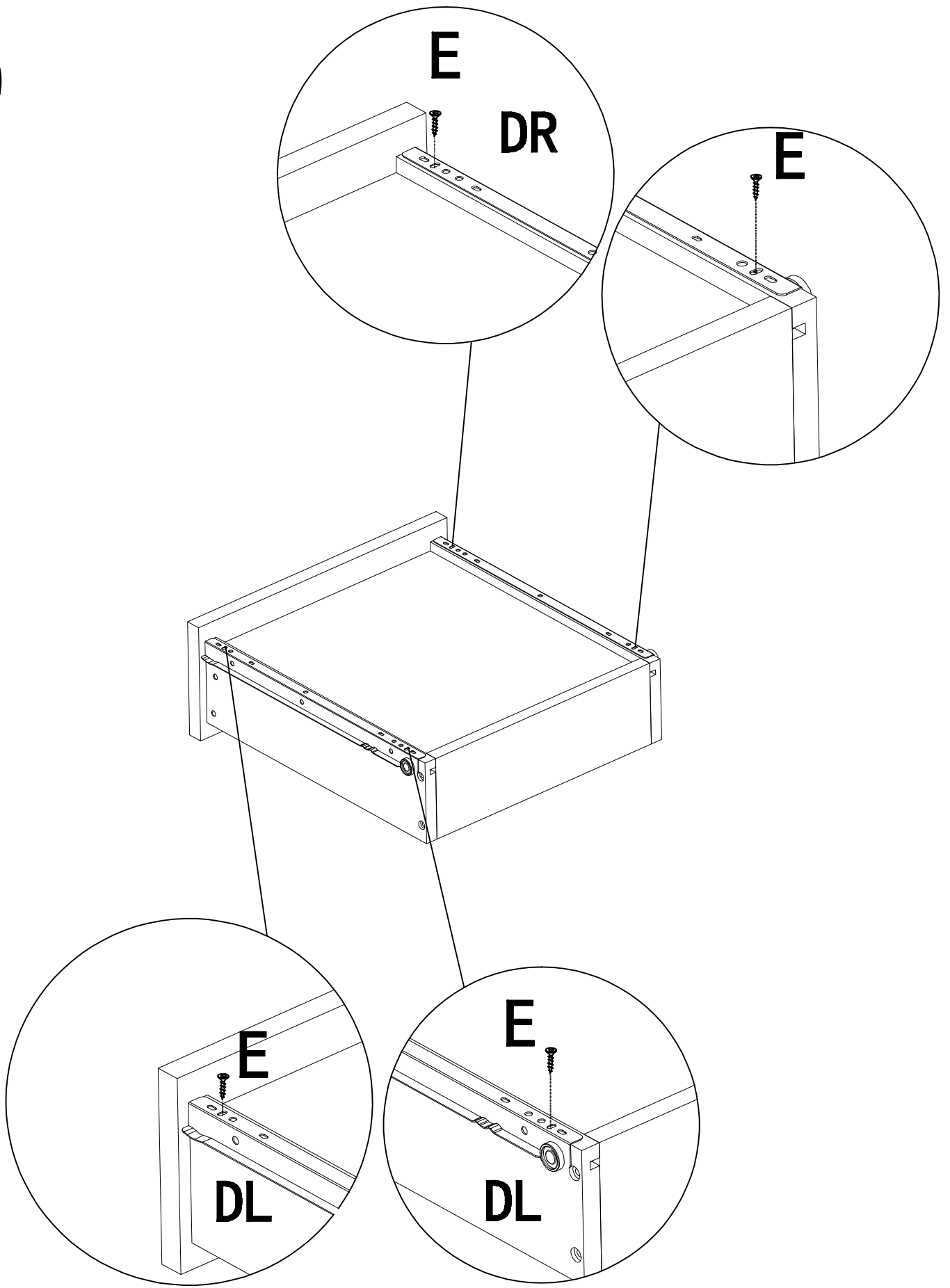


Kx4

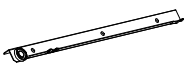


5-16

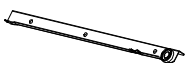
5



DRx4




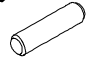

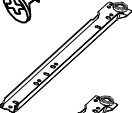
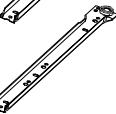
DLx4

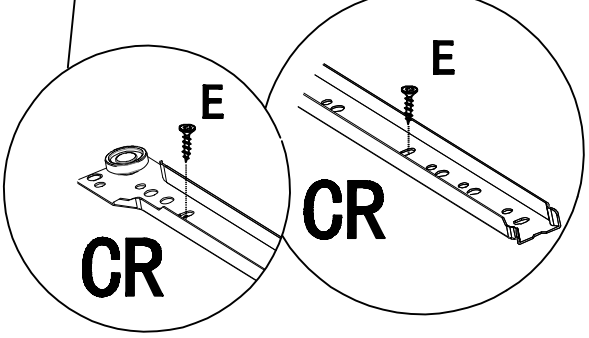
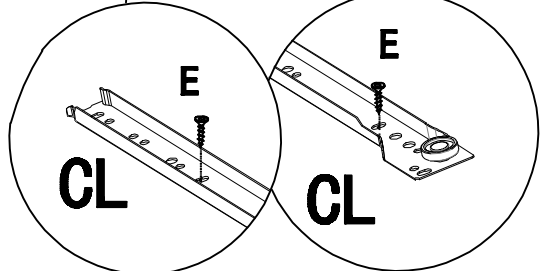
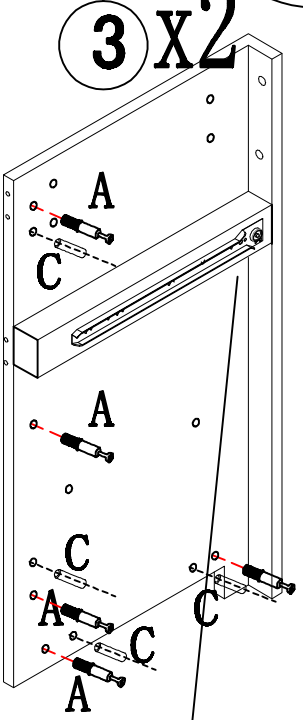
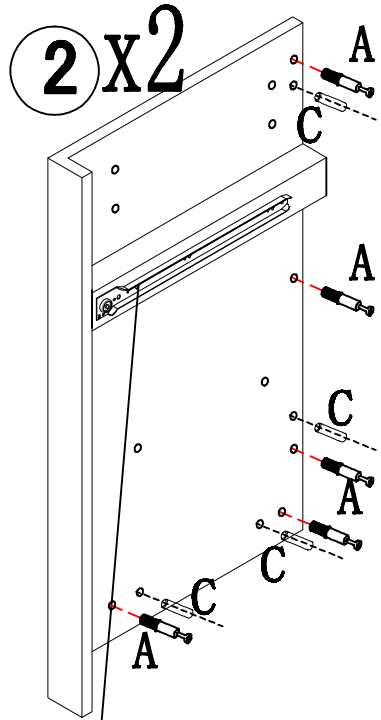
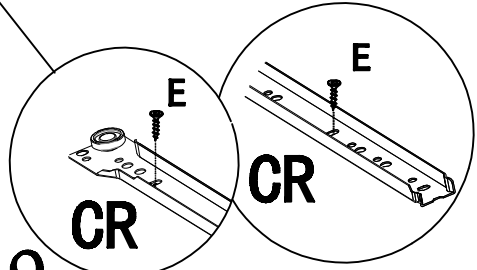
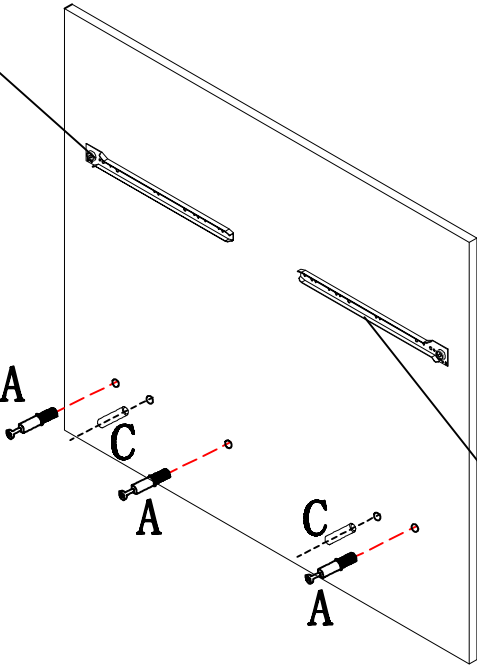
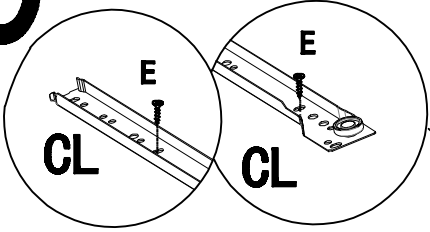


Ex16


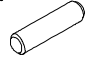

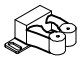


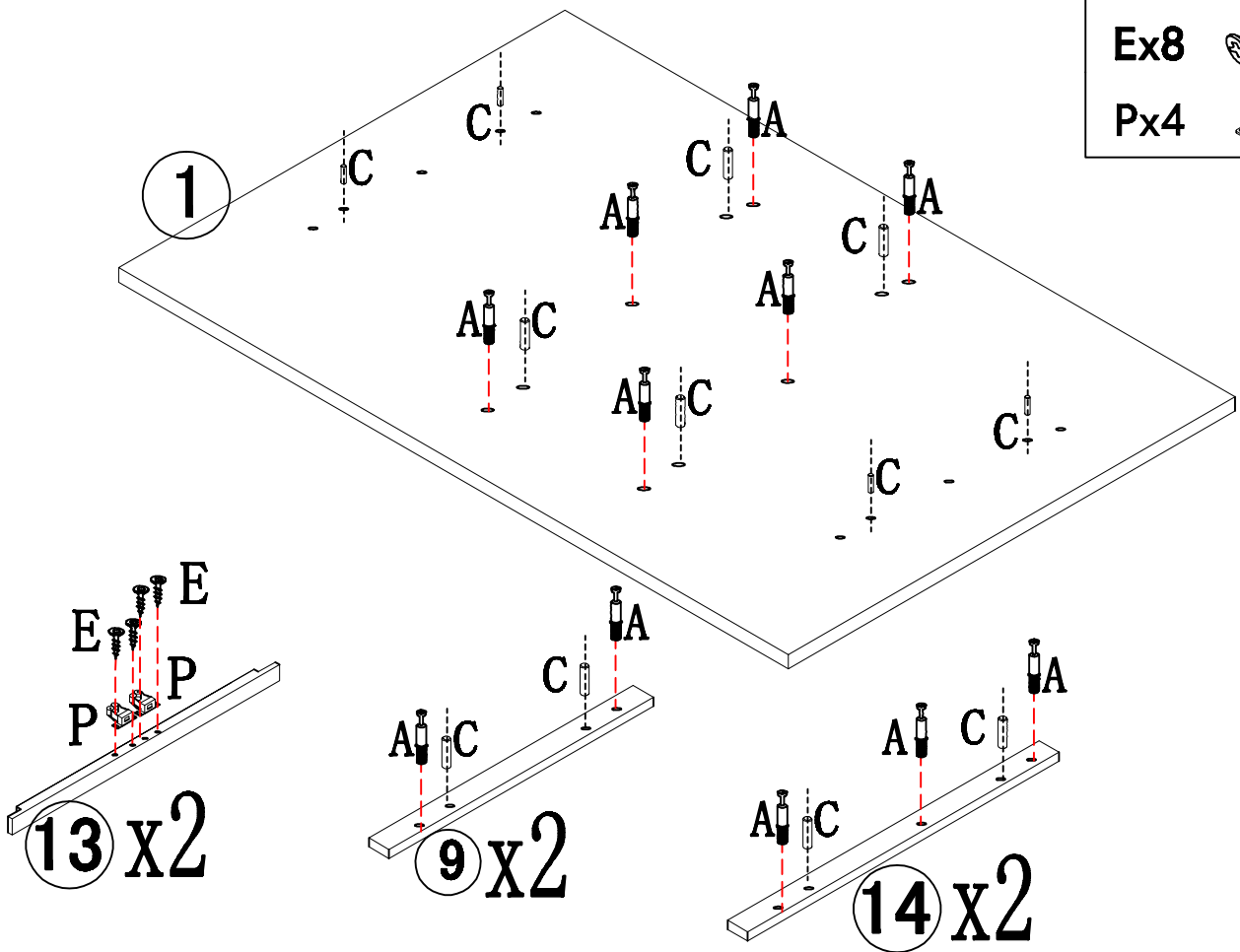
6

Ax26	
Cx20	
Ex16	
CRx4	
CLx4	





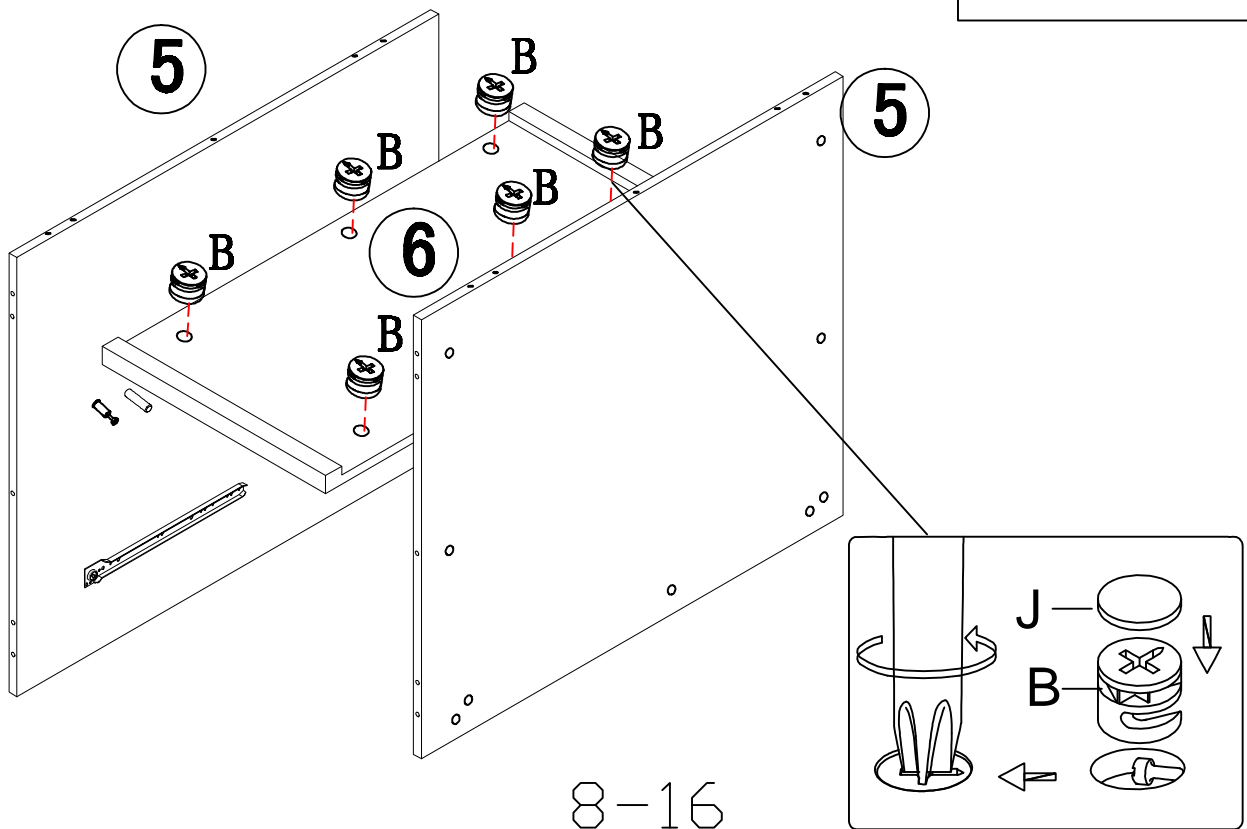
7

- Ax16 
- Cx16 
- Ex8 
- Px4 



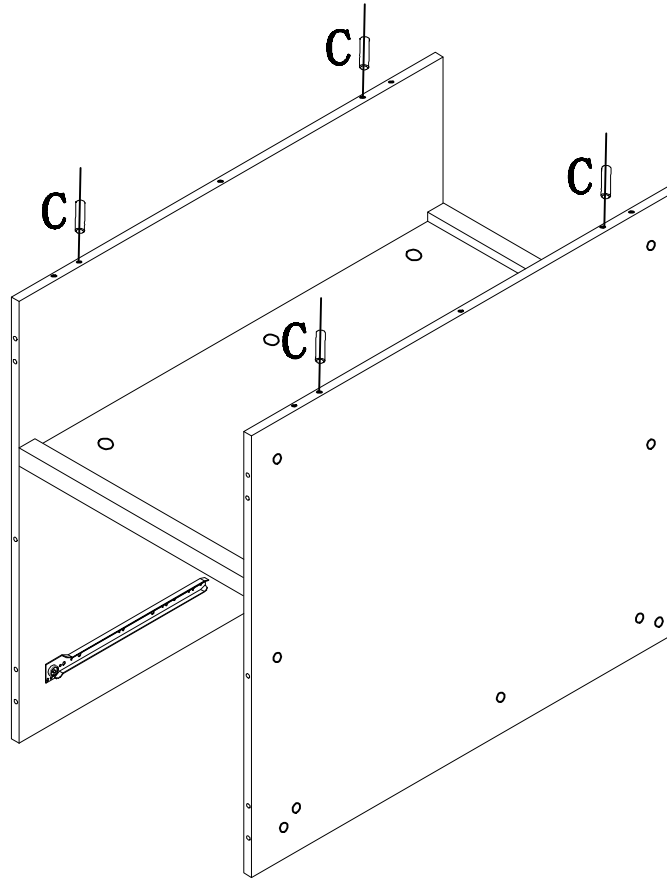
8

- Bx6 
- Jx6 



9

Cx4

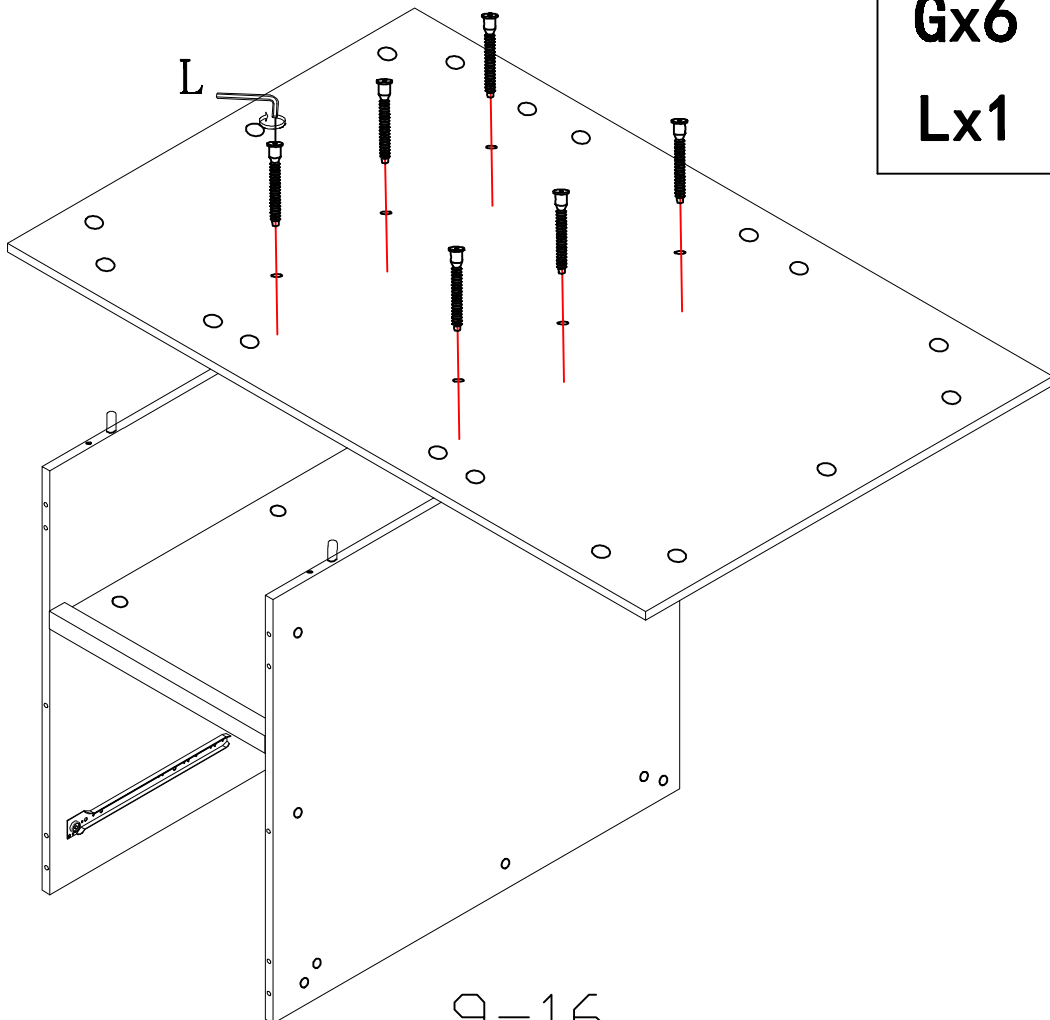
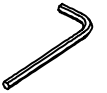


10

Gx6

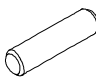


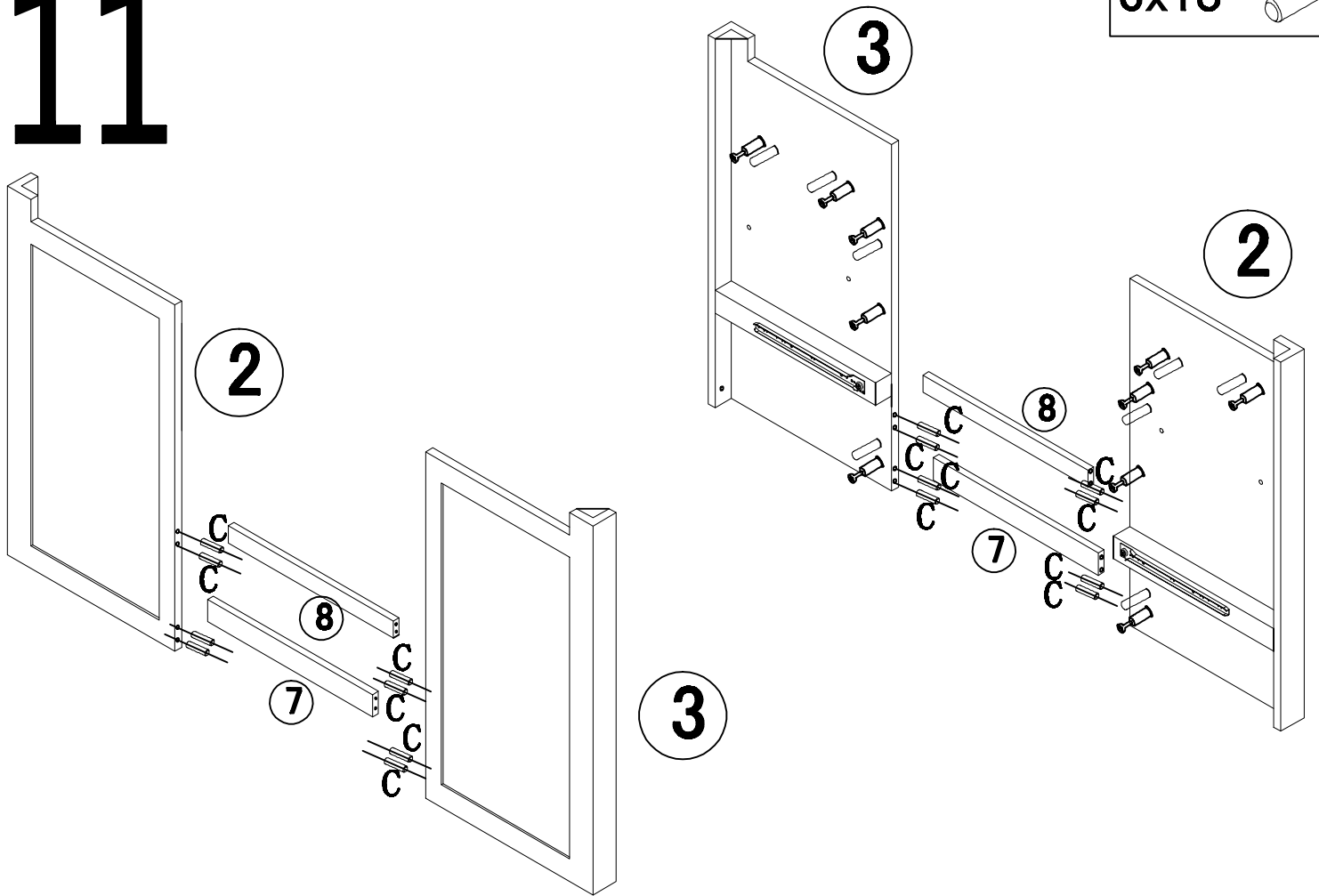
Lx1



9-16

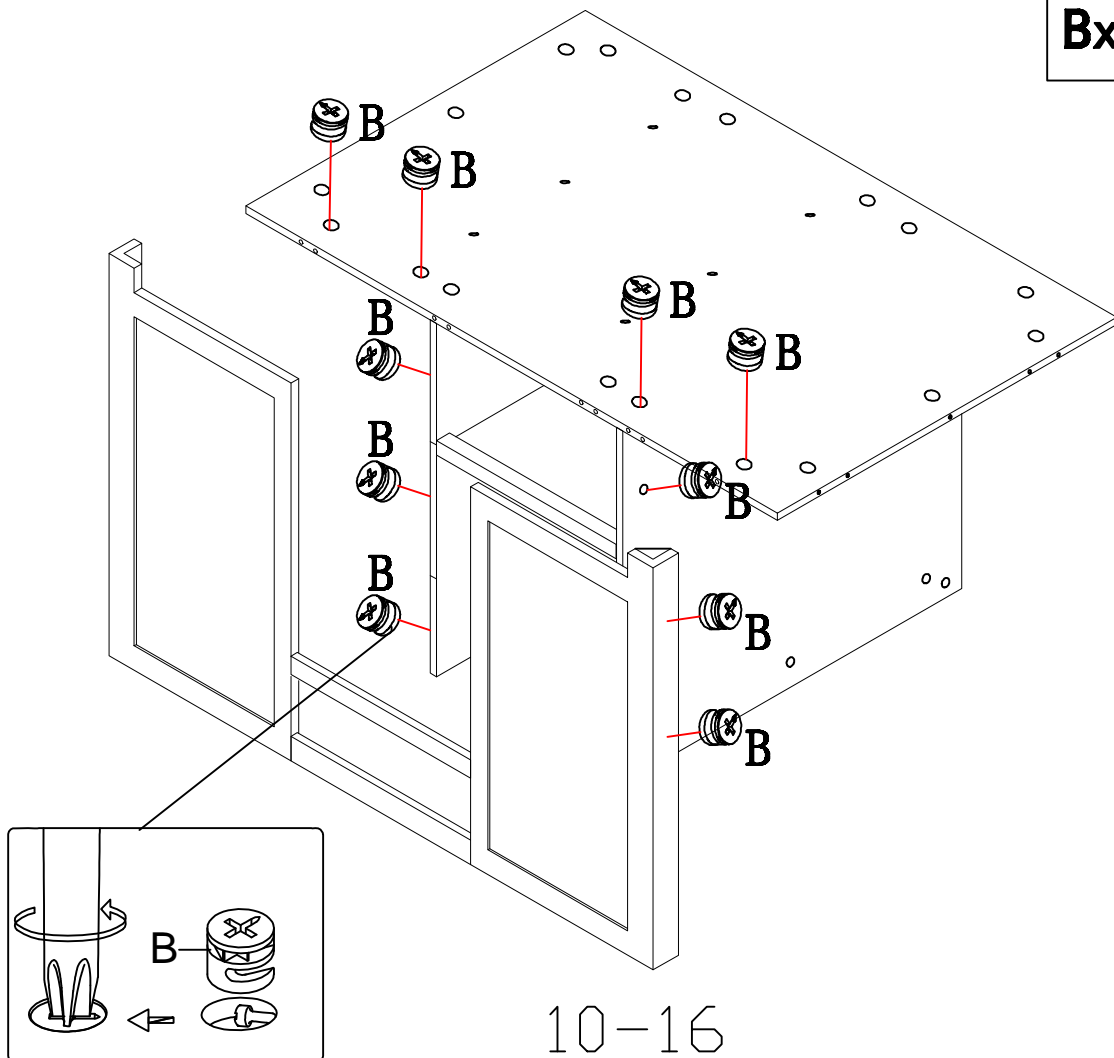
11

Cx16 



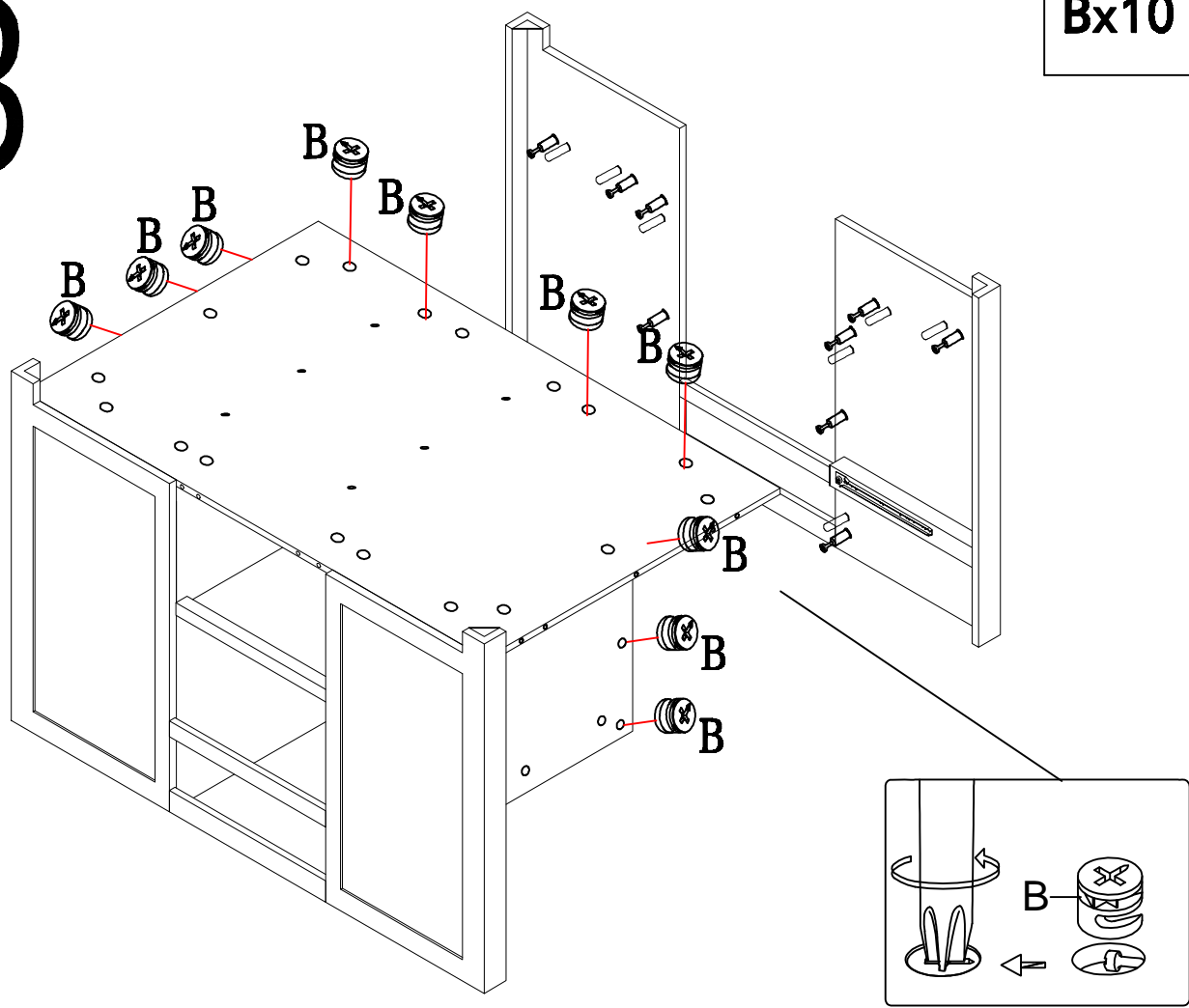
12

Bx10 



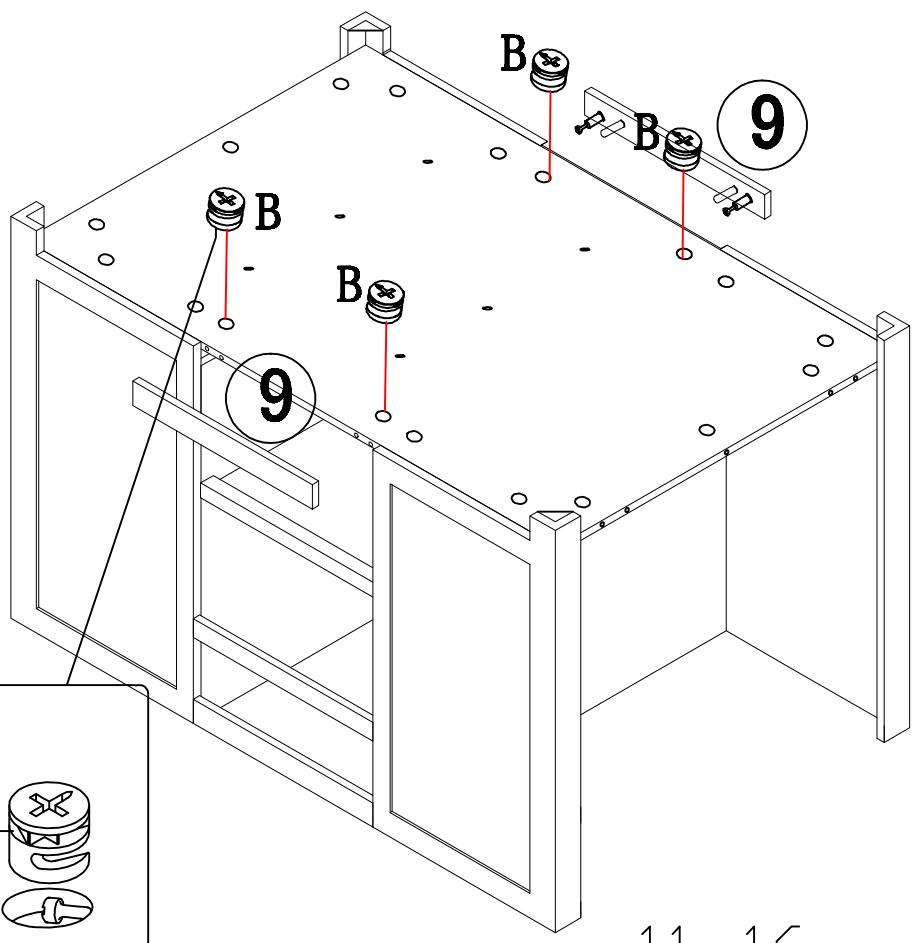
13

Bx10 




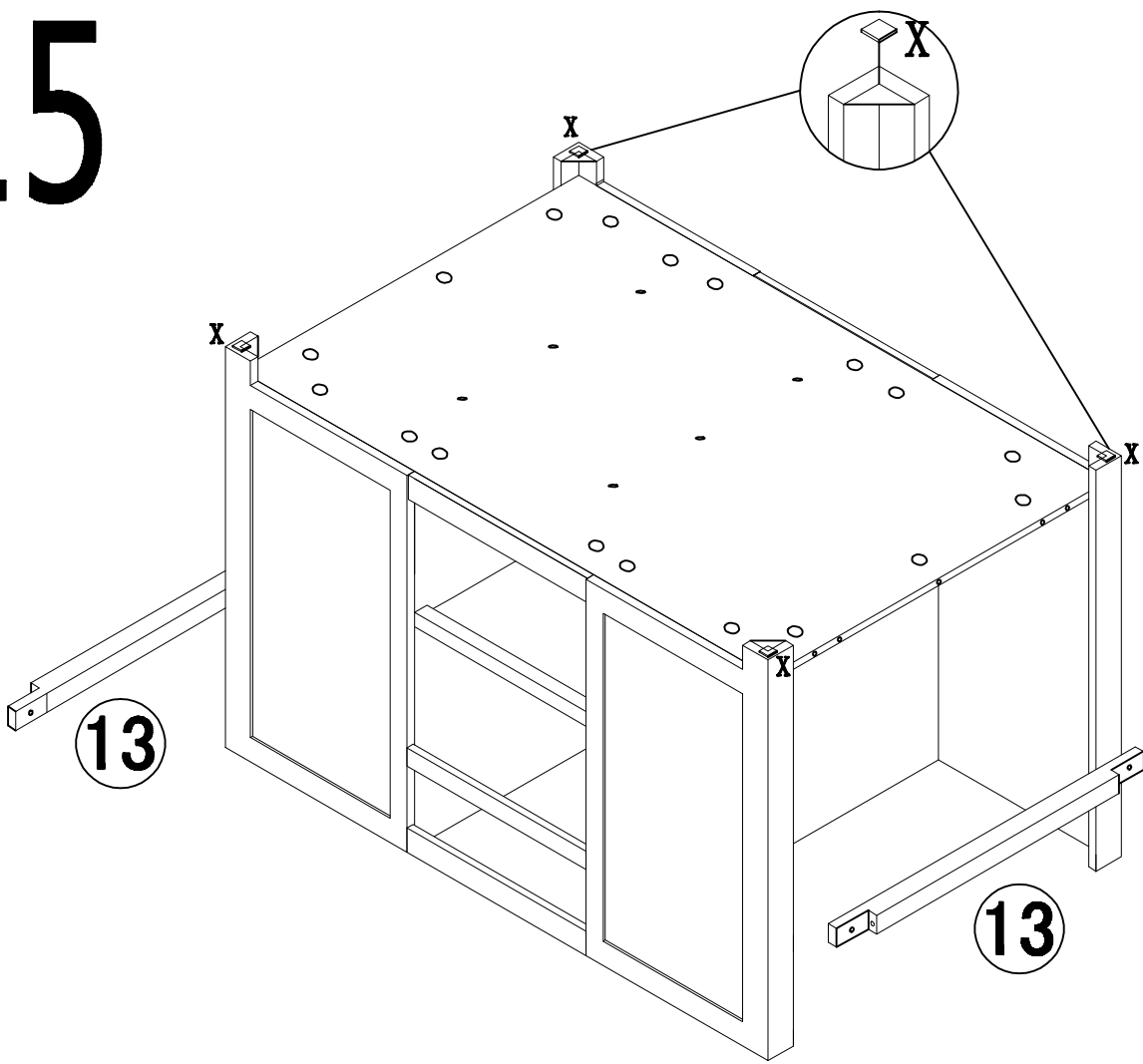
14

Bx4 






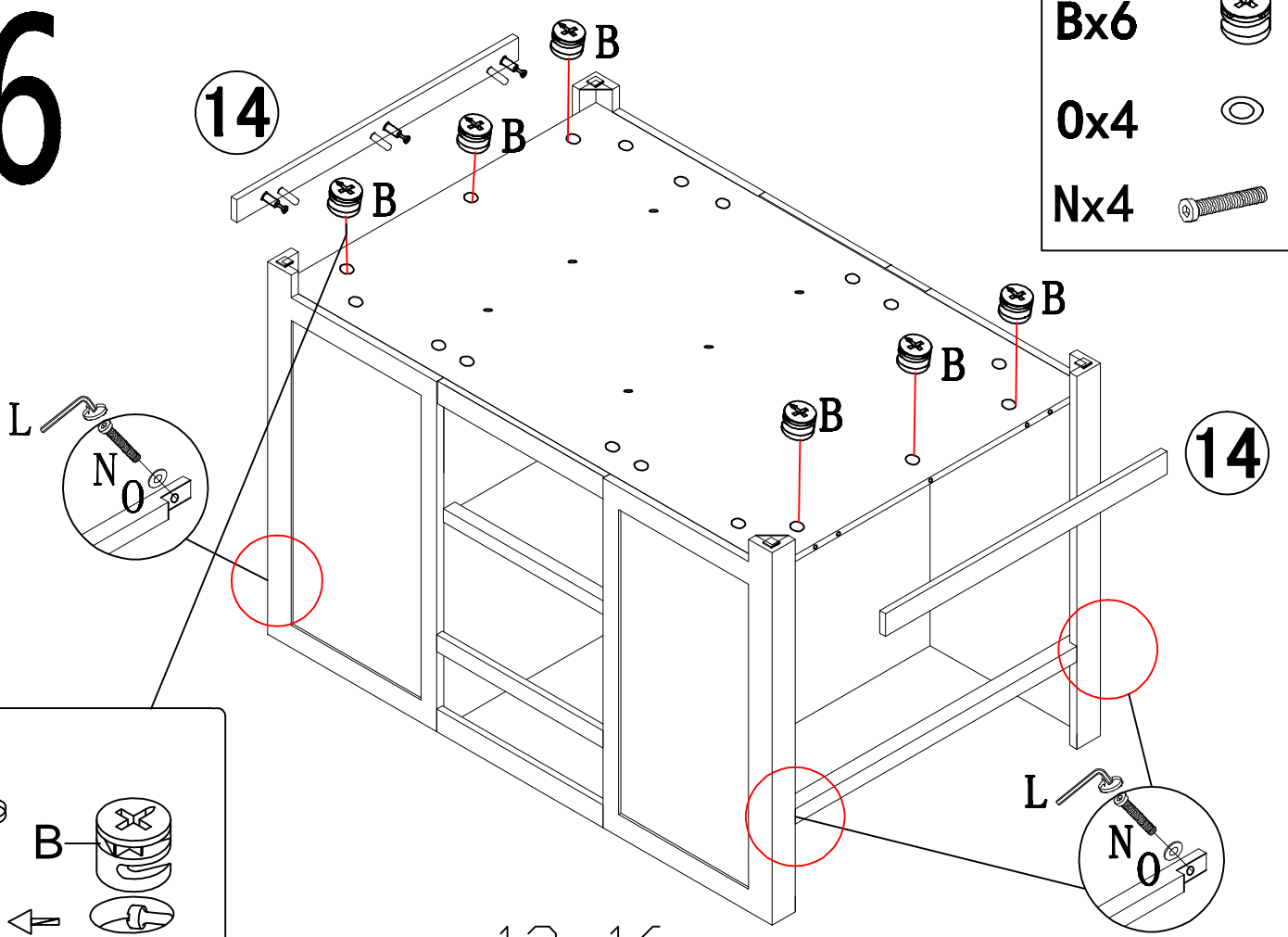
15

Xx4 



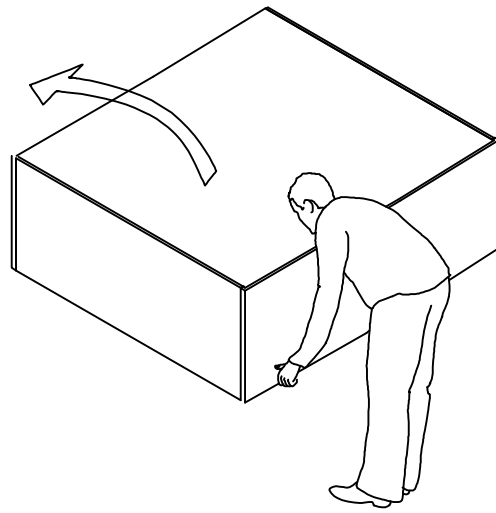
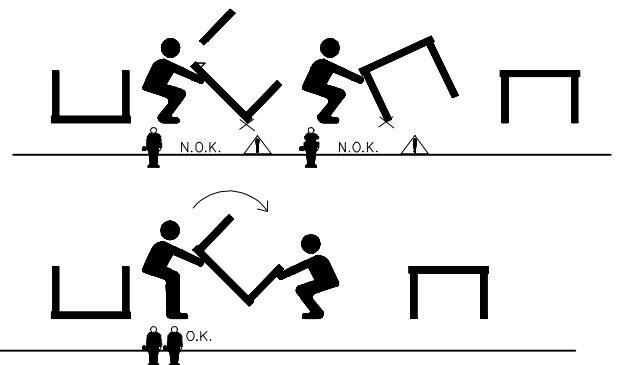
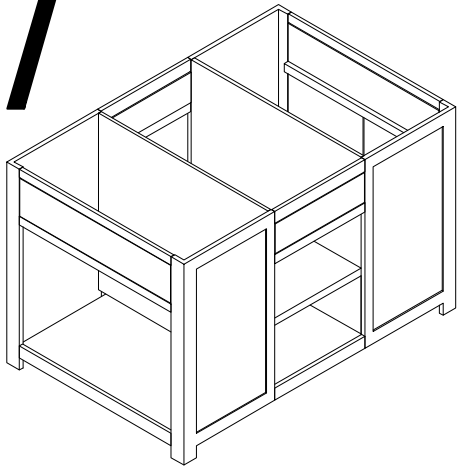
16

Bx6 
 Ox4 
 Nx4 

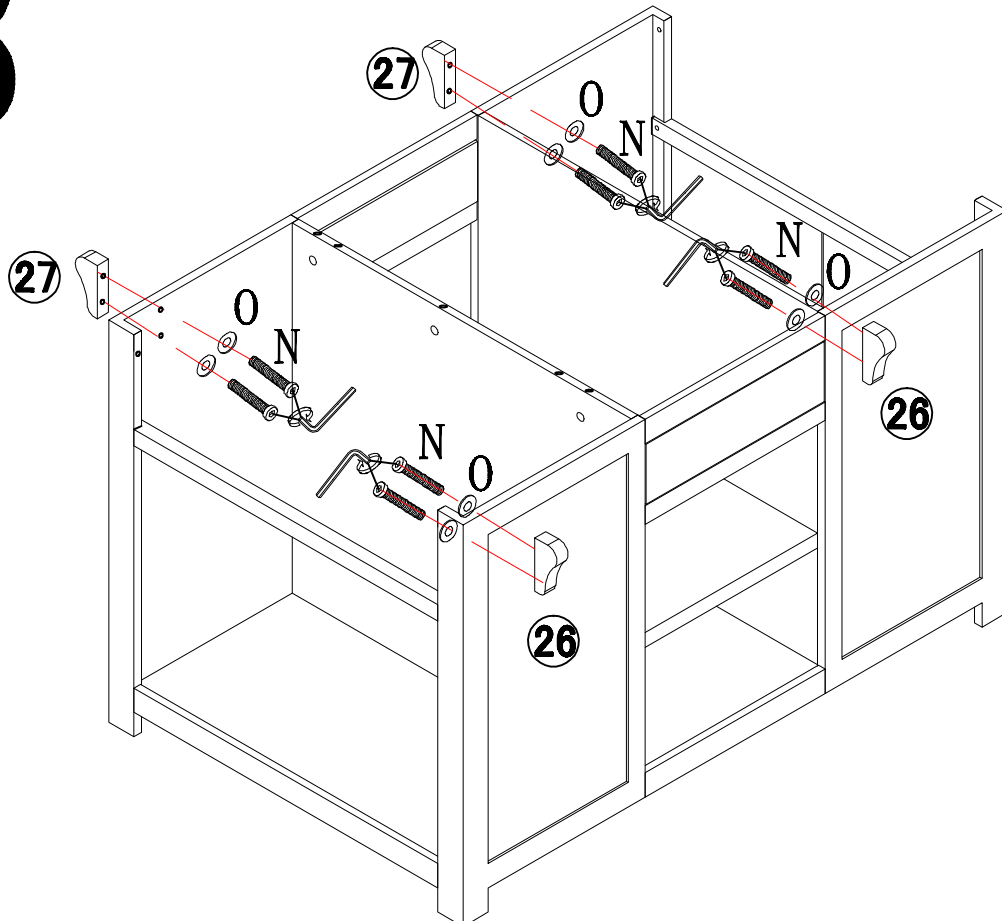



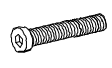
12-16

17

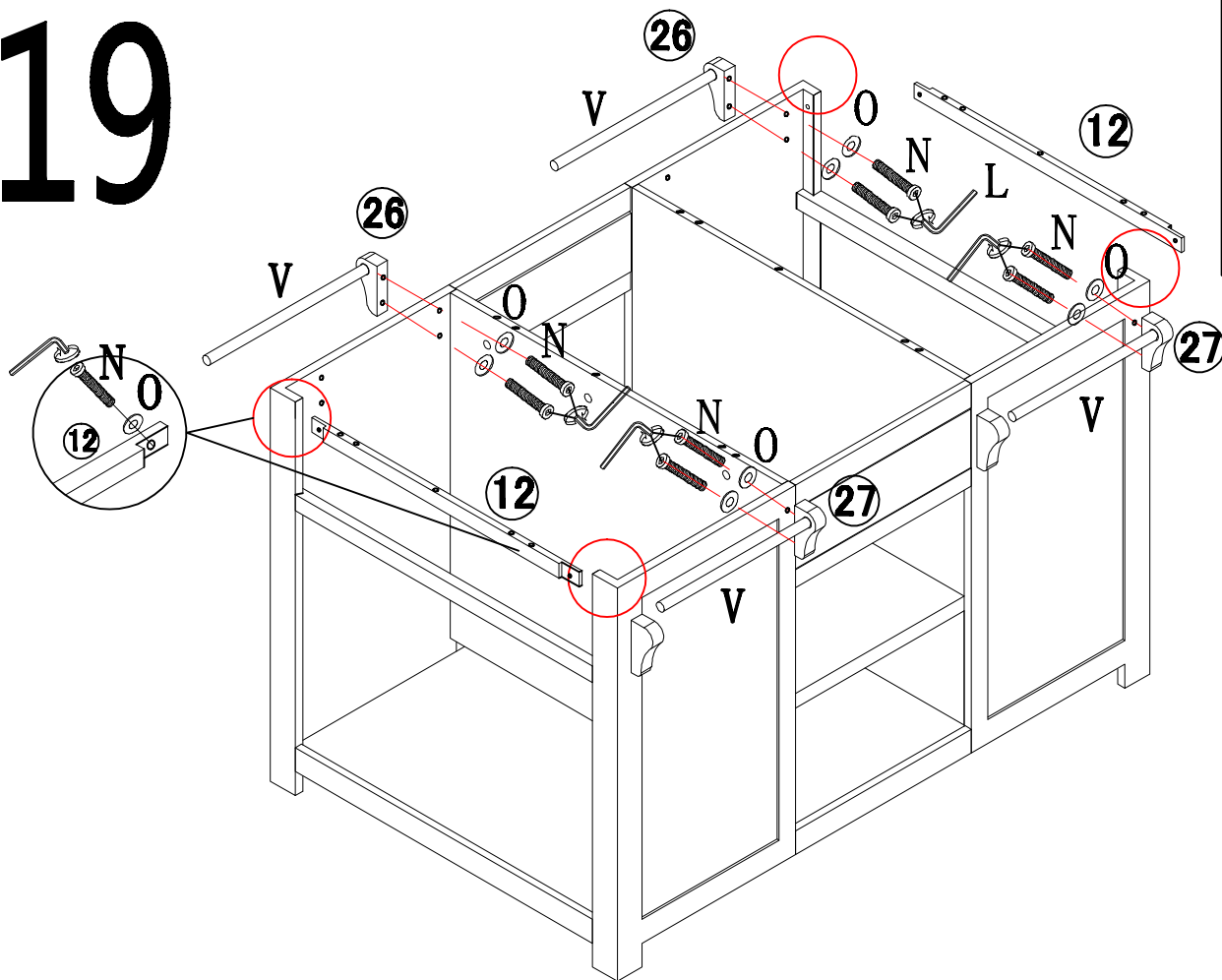





18



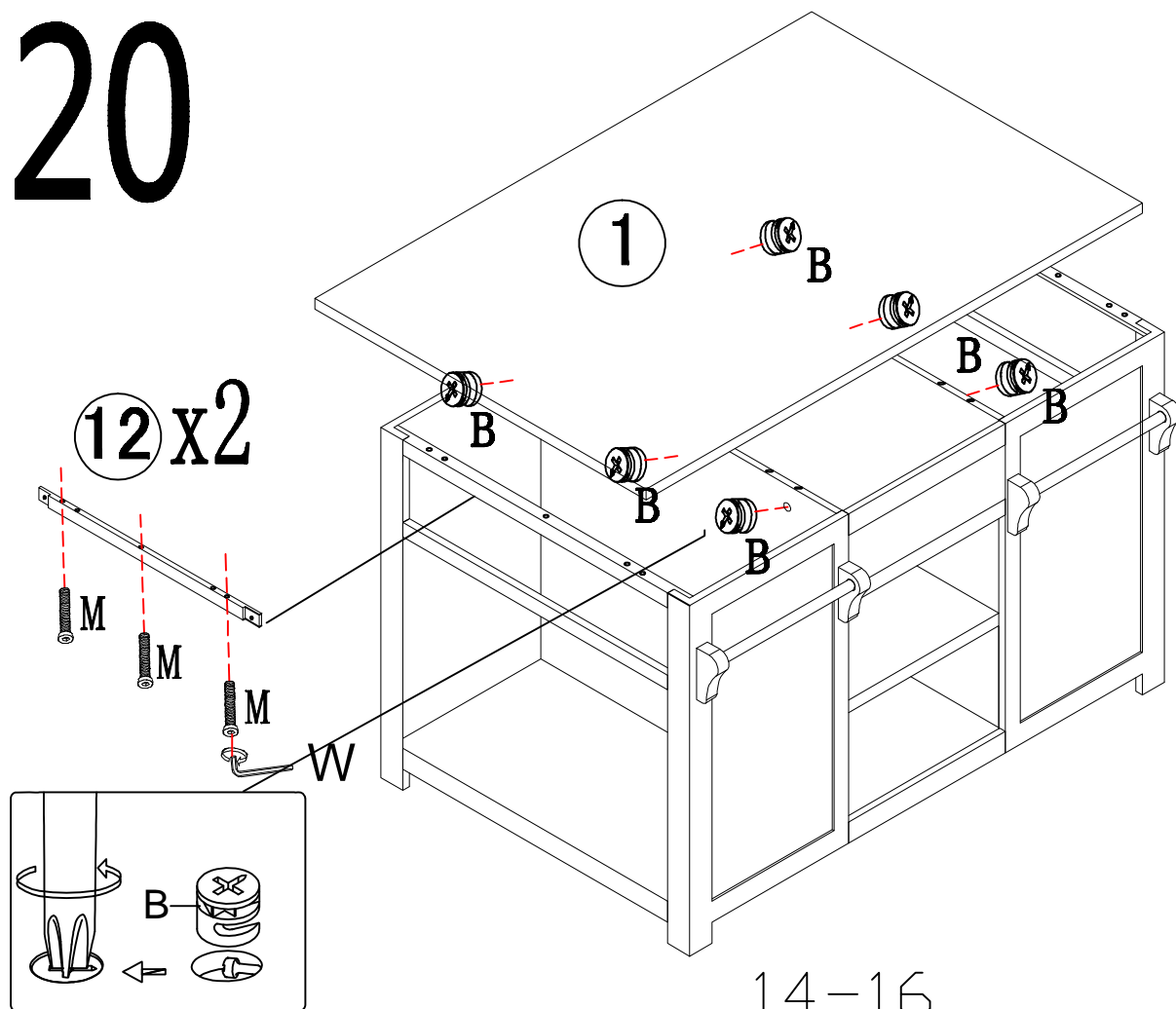
Ox8	
Nx8	




19



- 0x12 
- Nx12 
- Vx4 





20

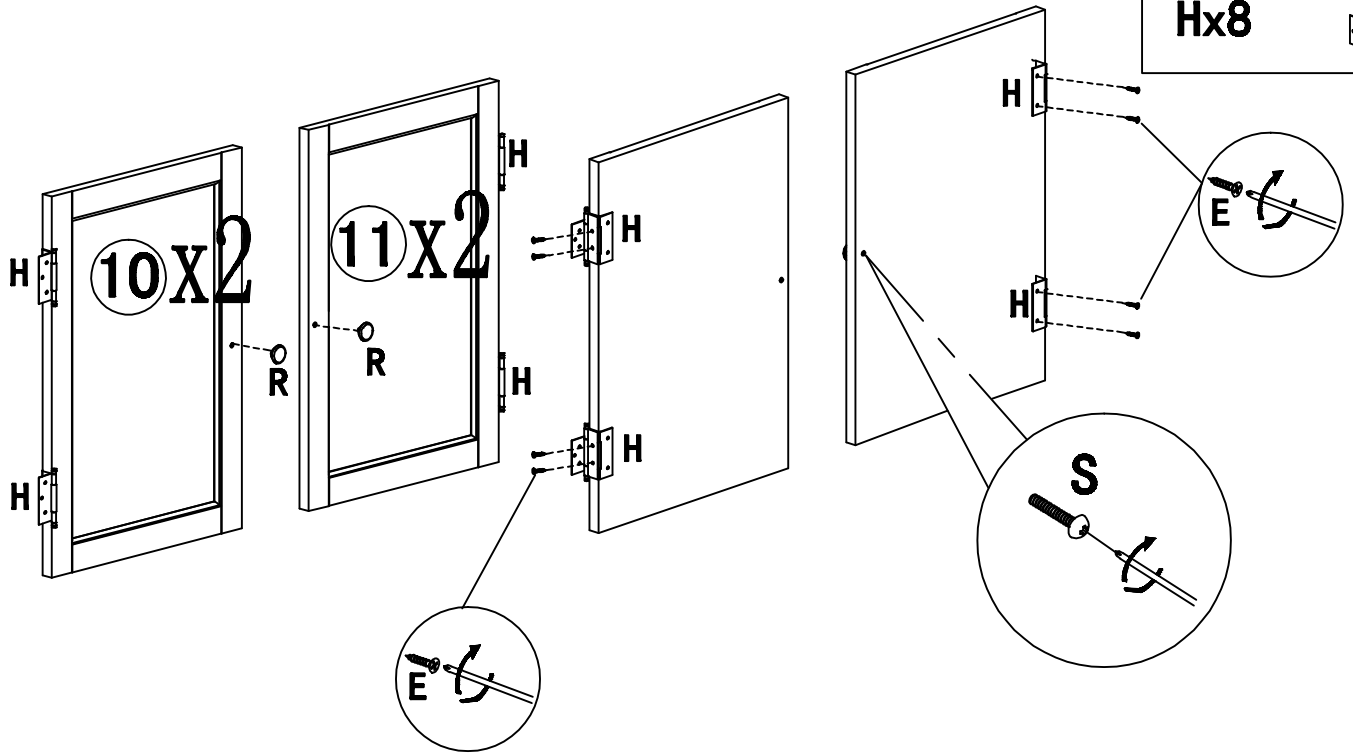


- Bx6 
- Mx6 
- Wx1 



14-16

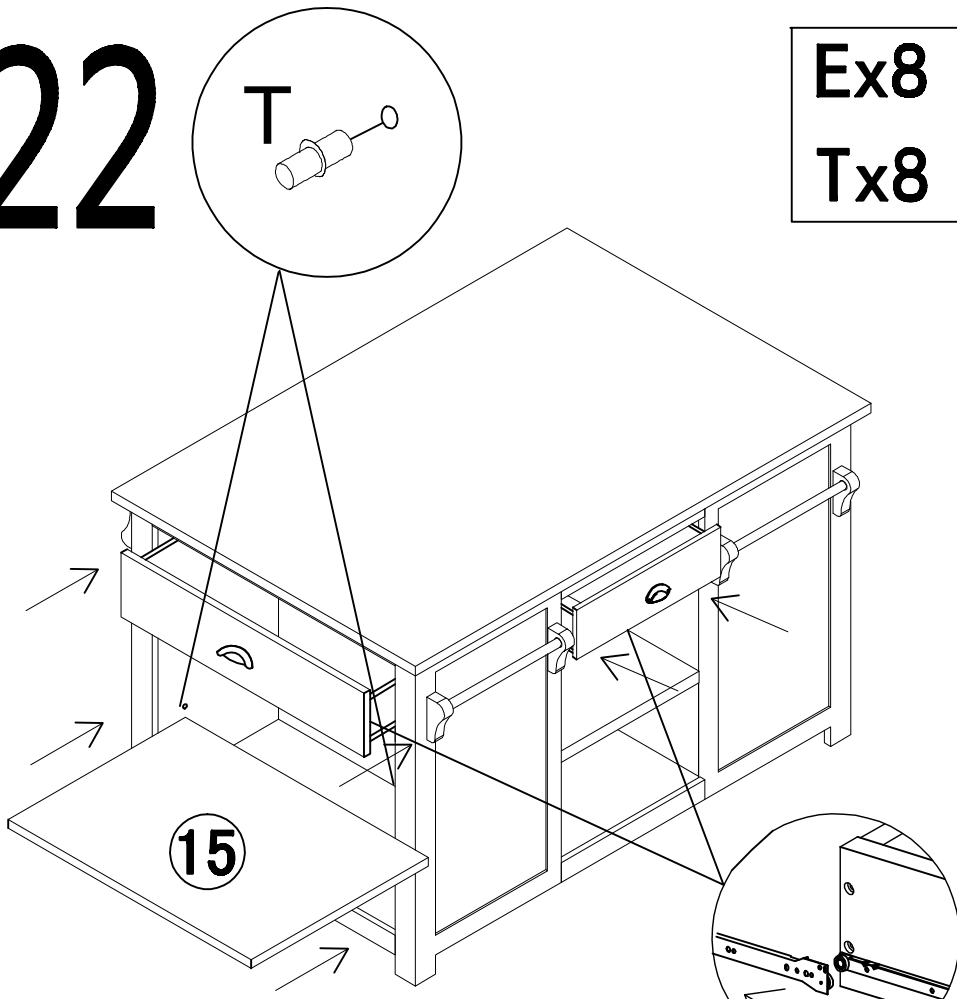
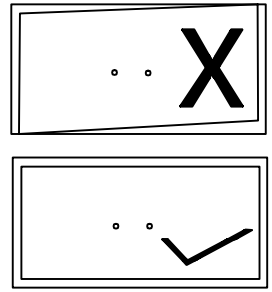
21

- Ex32 
- Sx4 
- Rx4 
- Hx8 

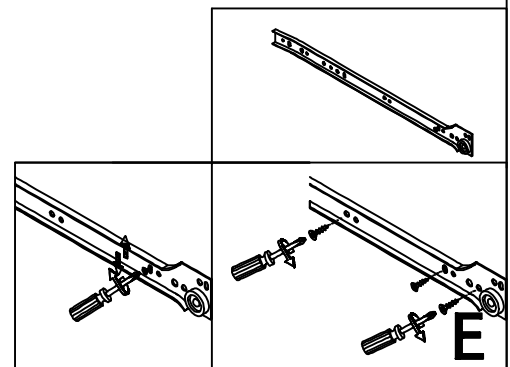


22

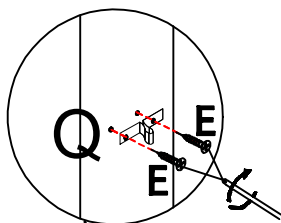
- Ex8 
- Tx8 



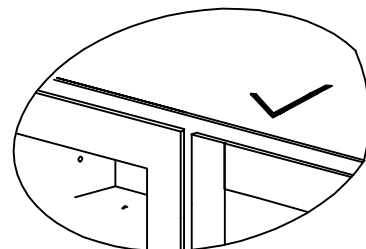
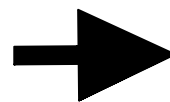
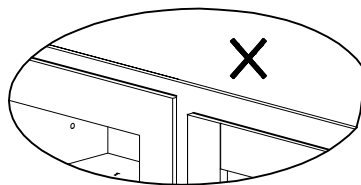
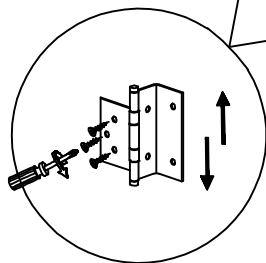
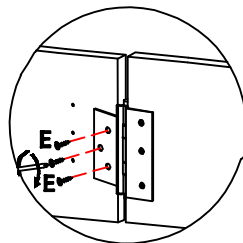
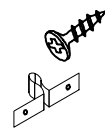
15-16



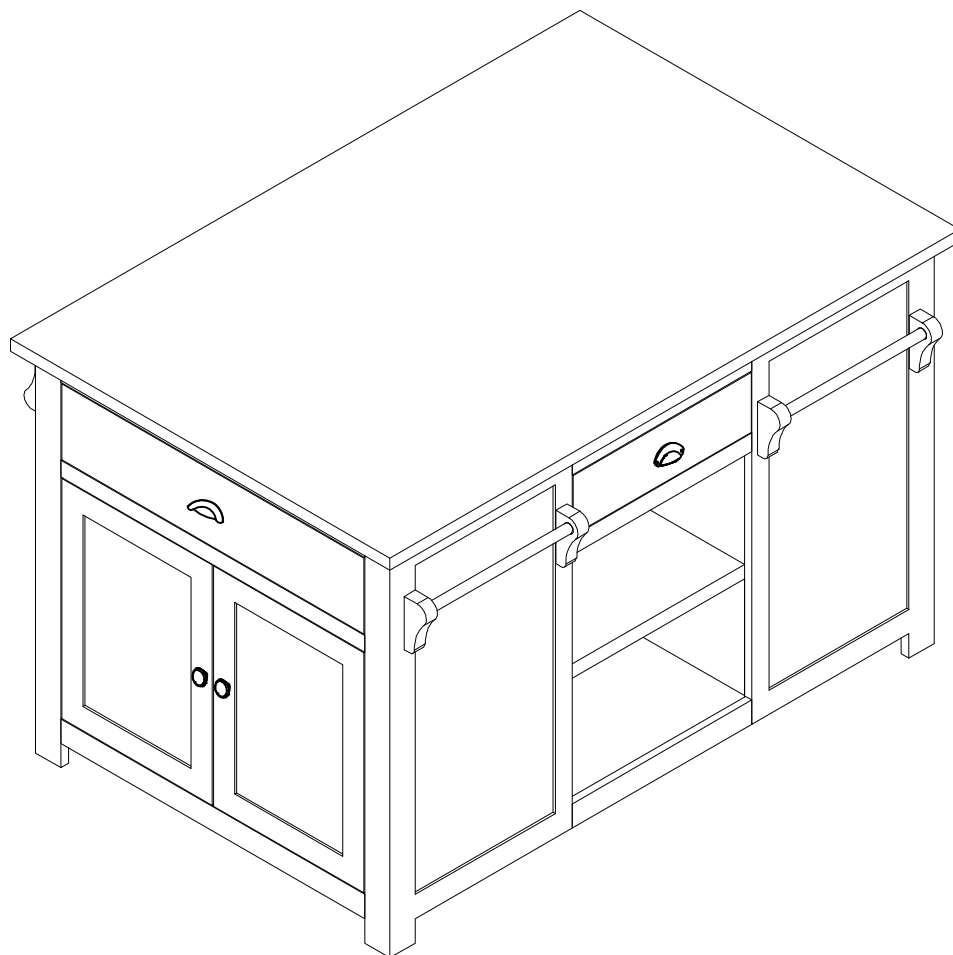
23



Ex 32
Qx4



24



16-16