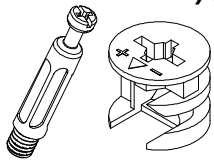
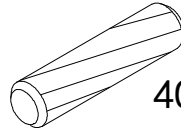
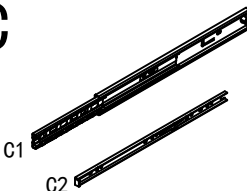
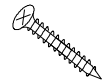
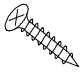
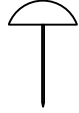
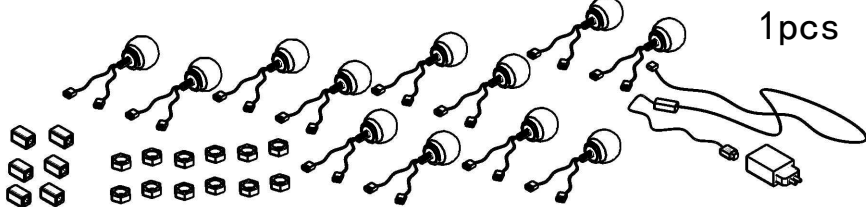
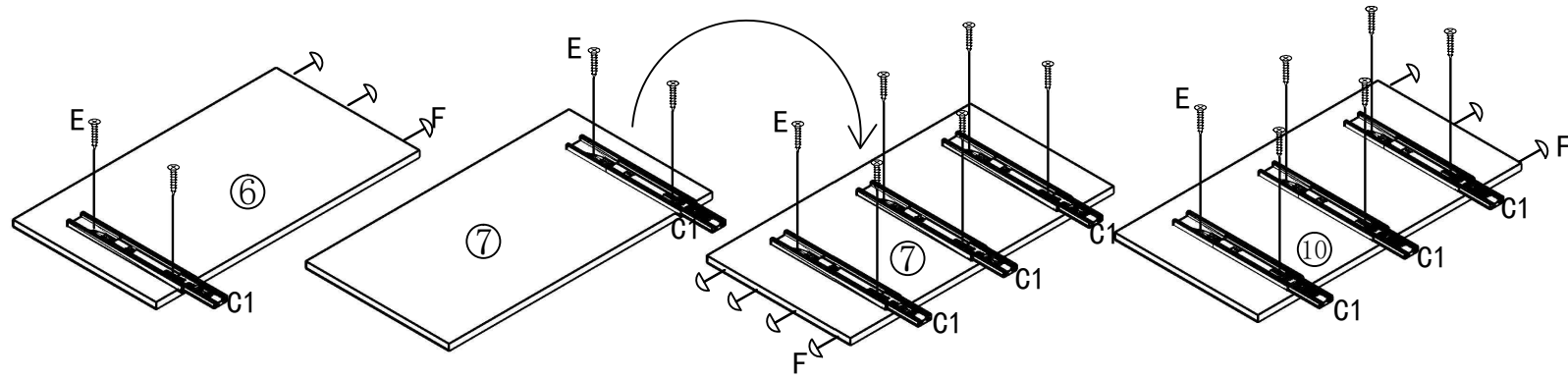


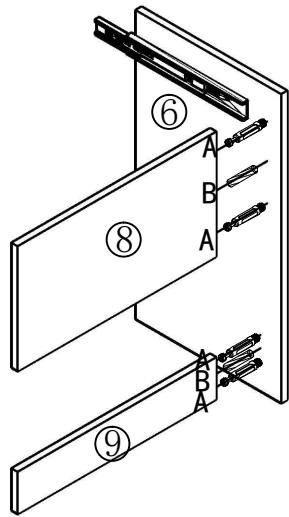
<p><b>A</b></p>  <p>90pcs</p>	<p><b>B</b></p>  <p>33pcs 40*8MM</p>	<p><b>C</b></p>  <p>8pcs C1 C2</p>	<p><b>D</b></p>  <p>16pcs 35*3.5MM</p>
<p><b>E</b></p>  <p>32pcs 14*3.5MM</p>	<p><b>F</b></p>  <p>10pcs</p>	<p><b>G</b></p>  <p>1pcs</p>	

# 1



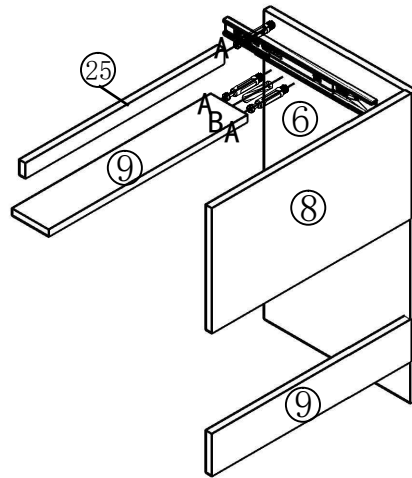
F		10
C1		8
E		16
<small>14*3.5MM</small>		

# 3



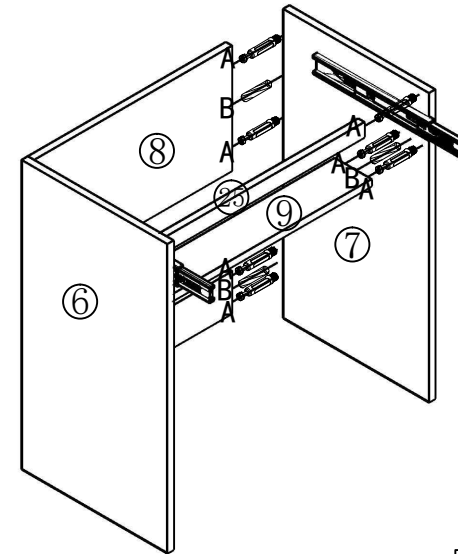
A		4
B		2
<small>40*8MM</small>		

# 4



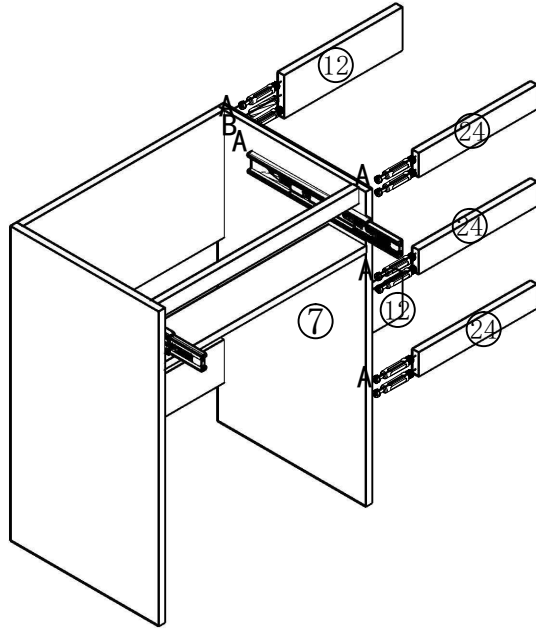
A		3
B		1
<small>40*8MM</small>		



# 5



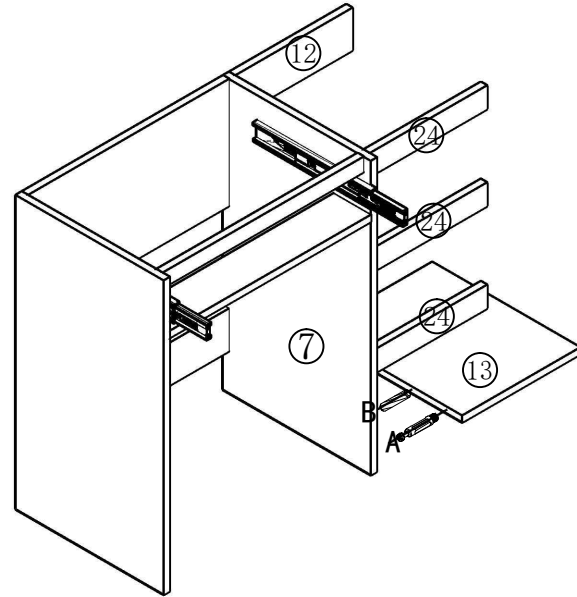
A		7
B		3
<small>40*8MM</small>		



6



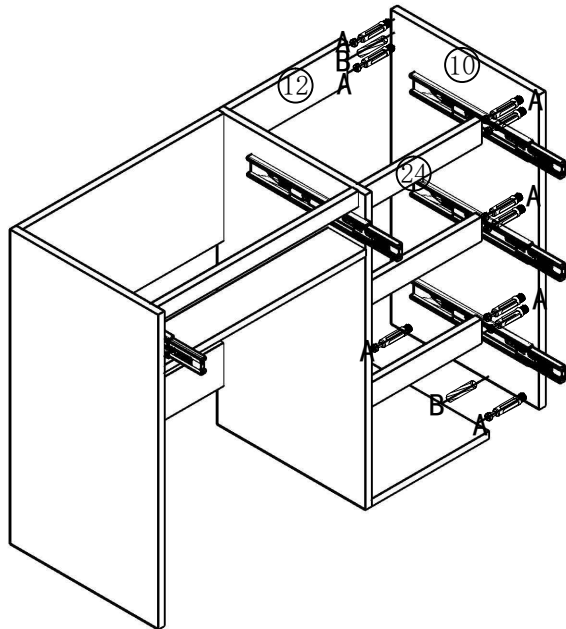
A		10
B		2



7



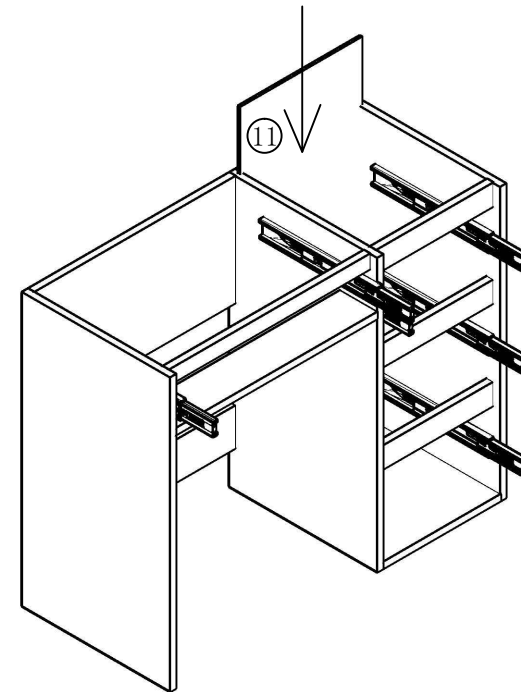
A		2
B		2

8

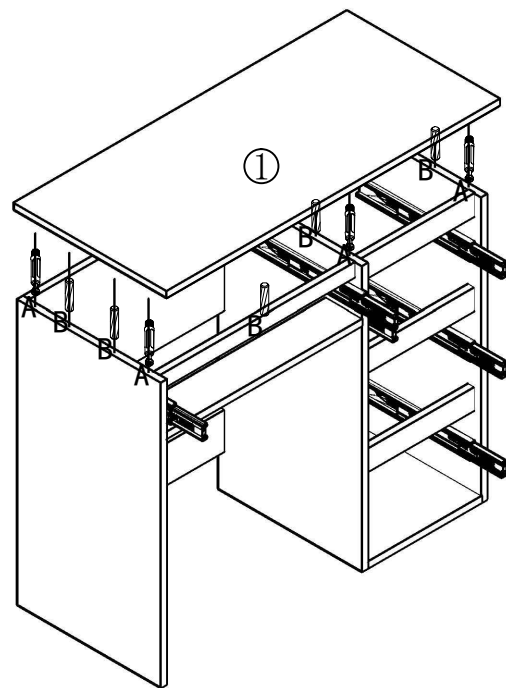


A		12
B		4

9

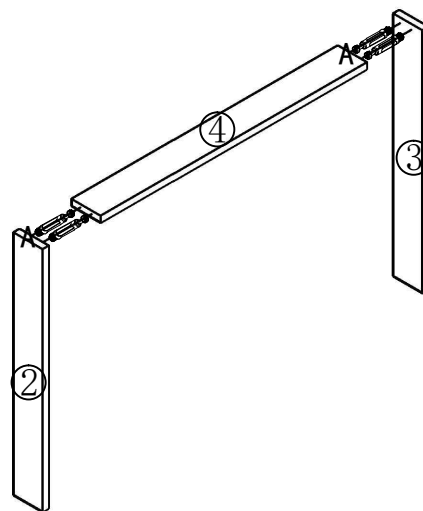


# 10



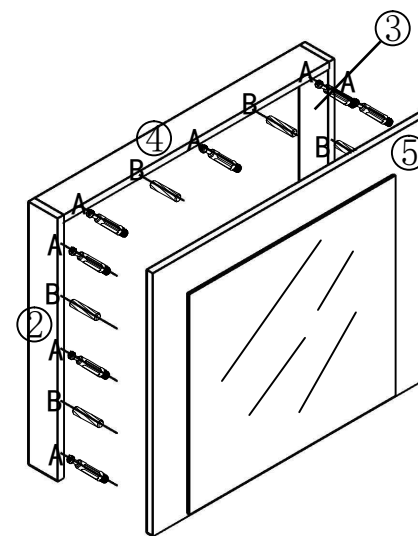
A		6
B		7

# 11



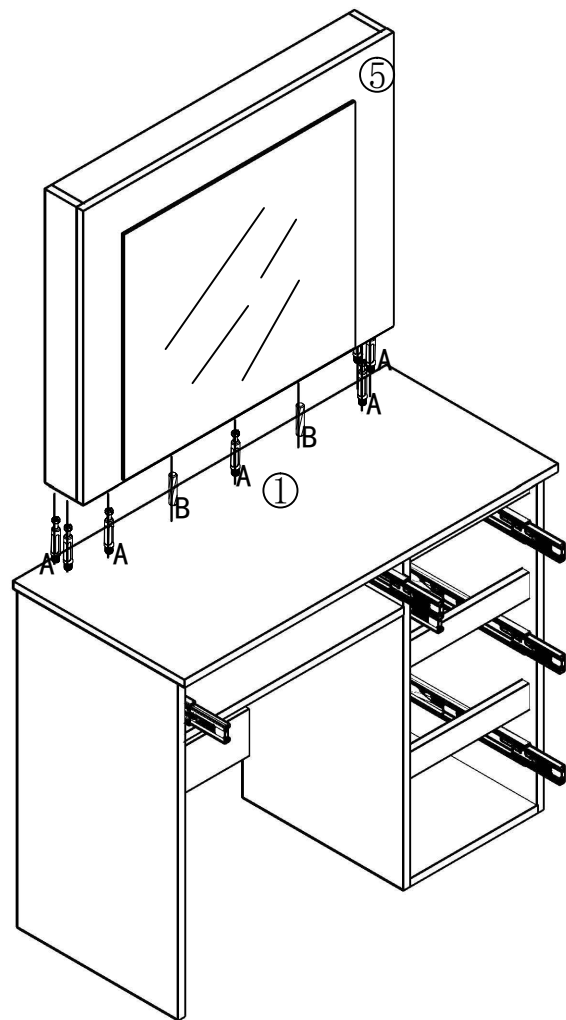
A		4
---	--	---

# 12



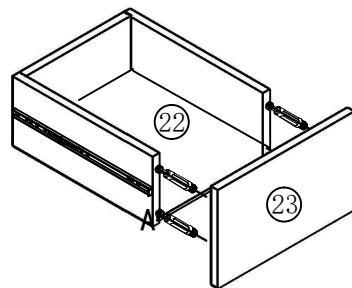
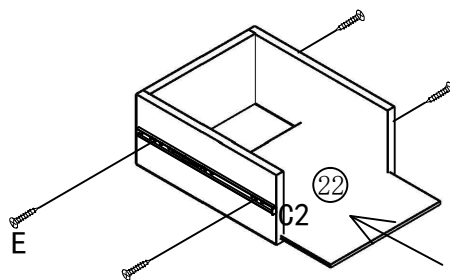
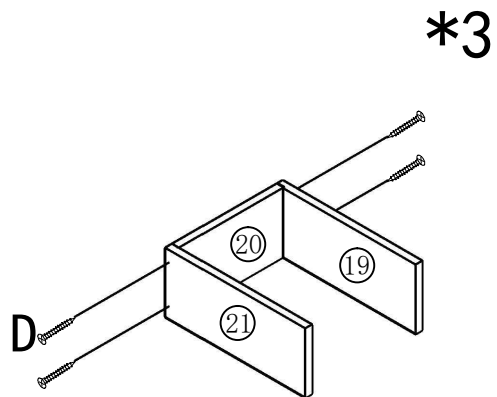
A		9
B		6

# 13



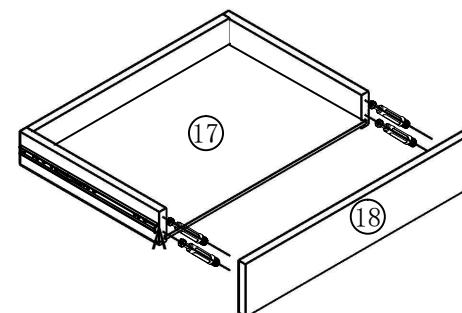
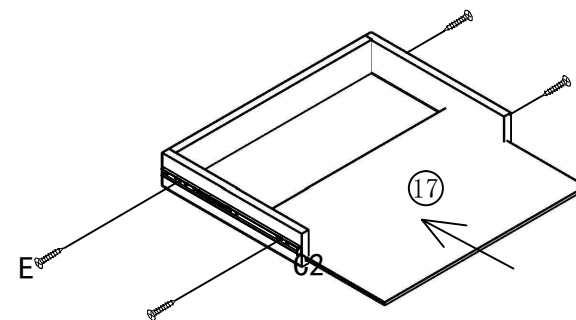
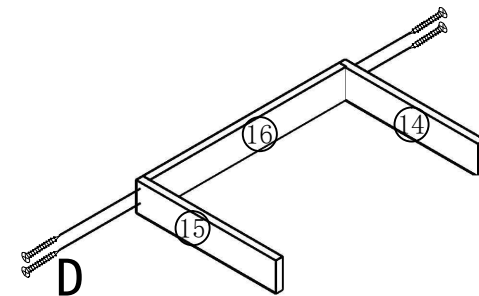
A		7
B		2

# 14



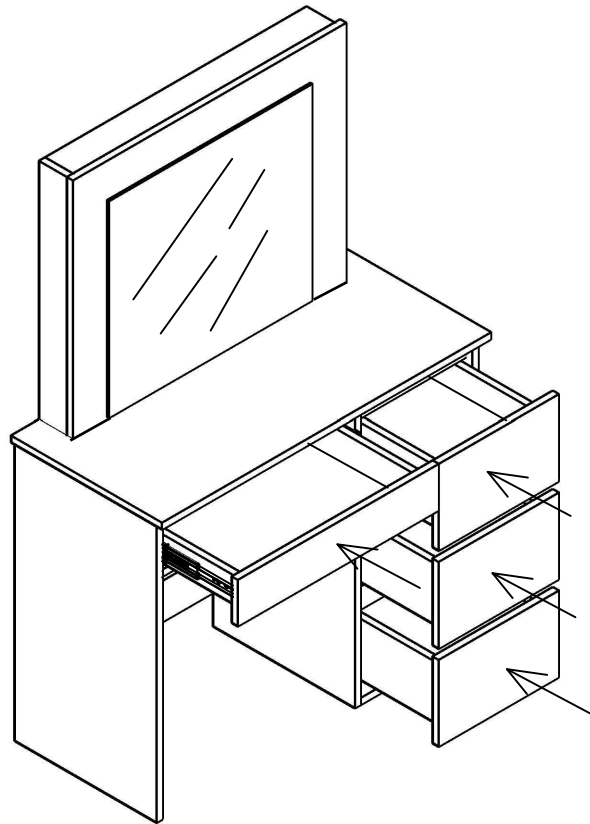
C2		6	A		12
D		12	E		12

# 15

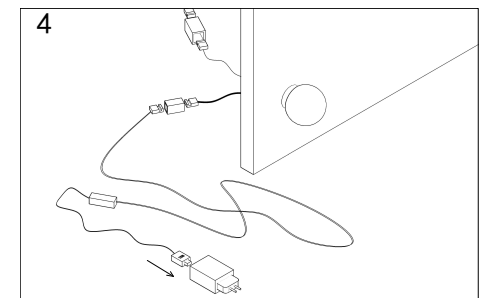
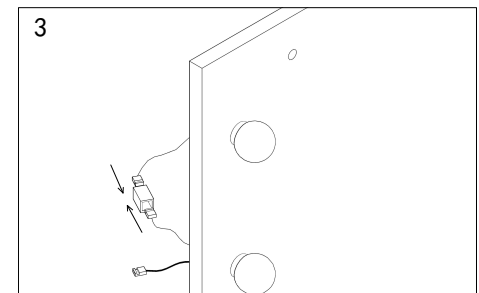
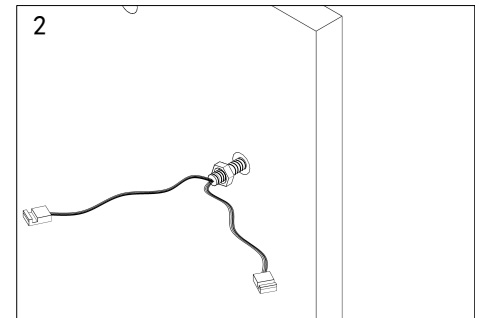
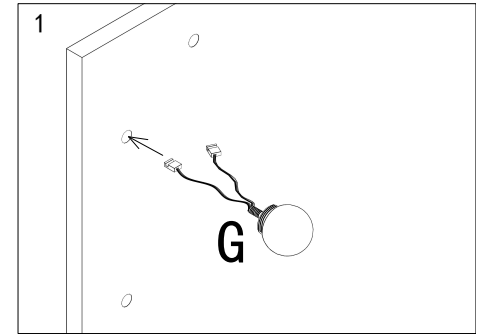
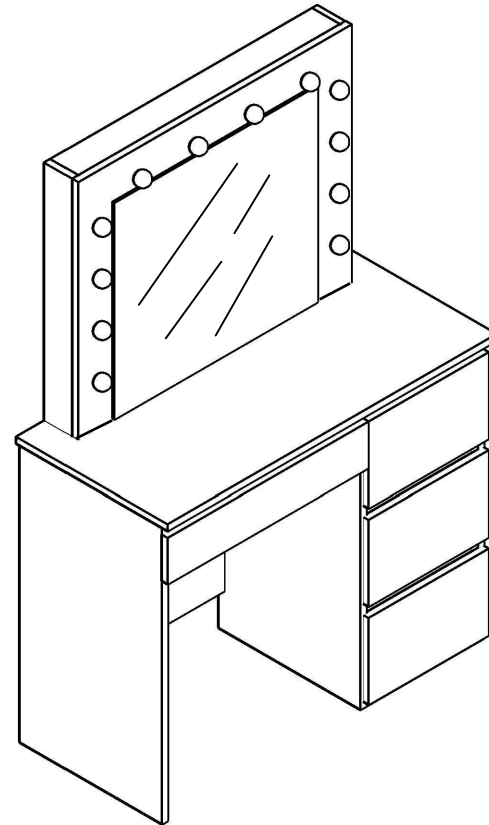


C2		2	A		4
D		4	E		4

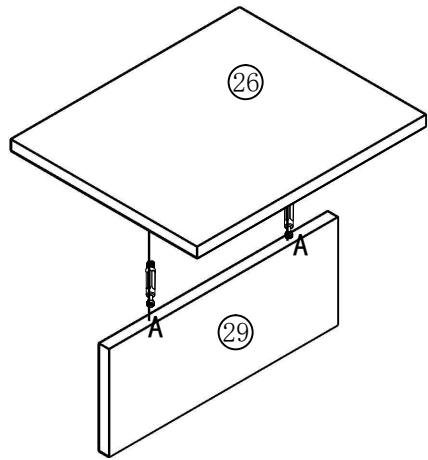
16



17

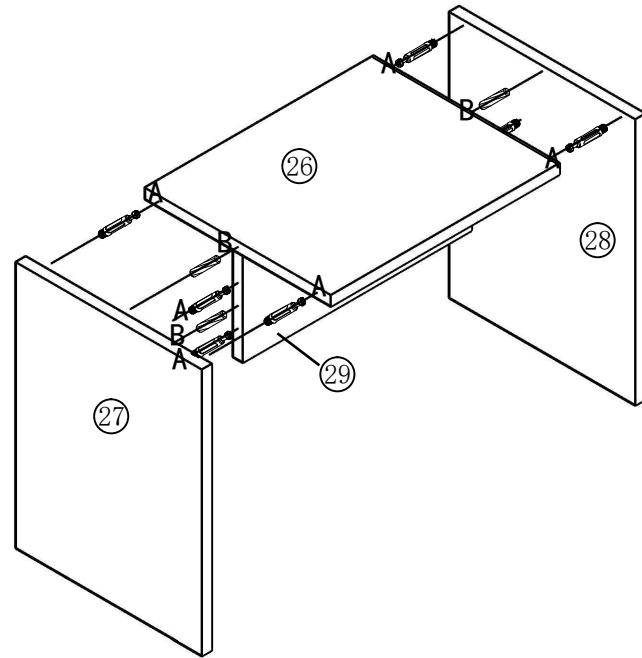


# 18



A		2
---	--	---

# 19



A		8
B		4

# 20

