

## Sunred Bright

Manual—ARTIX M-HO BROWN/ARTIX M-HO GREY Corda Patio Heater



### WARNING!

**Probable danger to life and risk of injury!**  
Use in closed spaces can be dangerous and is **FORBIDDEN**.



### WARNING!

**Probable danger to life and risk of injury!**  
Please read the manual before usage.



### NOTE—IMPORTANT!

Carefully remove the packaging before use, but keep the safety instruments. These are part of the product. Please note all safety warnings mentioned in this manual. Read the instructions in their entirety and keep them for future reference. These must be stored with the product. This product is for household use and may not be used for commercial or contractual purposes.

<b>NL</b> TERRASVERWARMER	<b>SK</b> TERASOVY OHRIEVAČ	<b>RU</b> ОБОГРЕВАТЕЛЬ ДЛЯ ТЕРРАСЫ
<b>DE</b> TERRASSENHEIZSTRAHLER	<b>PL</b> TARASOWY PROMIENNIK CIEPŁA	<b>UA</b> ОБІГРІВАЧ ДЛЯ ТЕРАСИ
<b>IT</b> IRRADIATORE DI CALORE DA TERRAZZA	<b>SI</b> INFRA PEČ ZA UPORABO NA TERASAH	<b>DK</b> GÅRDHAVEVARMER
<b>FR</b> RADIATEUR DE TERRASSE	<b>HU</b> TERASZHŐSUGARZO	<b>NO</b> TERRASSEVARMER
<b>EN</b> PATIO HEATER	<b>HR</b> ELEKTRIČNA GRIJALICA ZA TERASU	<b>SE</b> TERRASSVÄRMARE
<b>ES</b> ESTUFA TERRAZA	<b>BA</b> ELEKTRIČNA GRIJALICA ZA TERASU	
<b>CZ</b> TERASOVY OHŘIVAČ	<b>RO</b> RADIATOR PENTRU TERASĂ	



2 years warranty



For outdoor only!

**UK  
CA**

**CE**



MADE IN P.R.C.



## EN Patio Heater

### Translation of the original instructions

Dear customer,

Thank you for placing your trust in our product!

Before using the product for the first time, please make sure you read these operating instructions! Here you will find information about how to use the product safely and ensure its long service life. You should pay attention to all of the safety instructions in this document!

### How to use these instructions

All of the necessary diagrams can be found on the first pages of this set of instructions. Within the descriptions, you will be directed by cross-references to the appropriate diagrams.

## Before you begin...

### Intended use

When used for its intended purpose, this device corresponds to the state of the art, as well as to the current safety requirements at the time of its introduction.

The unit is a heater for use in roofed outdoor areas.

The device is not suitable for commercial or industrial use.

Any other type of use is inappropriate. Improper use or modifications to the device or the use of components that are not tested and approved by the manufacturer may result in unforeseen damage!

Any use that deviates from its intended use and is not included in these instructions is considered unauthorized use and relieves the manufacturer from his or her legal liability.



1

2

3



## For your safety

### General safety instructions

- To operate this device safely, the user must have read and understood these instructions for use before using the device for the first time.
- Observe all safety instructions! Failure to do so may cause harm to you and others.
- Retain all instructions for use, and safety instructions for future reference.
- If you sell or pass the device on, you must also hand over these operating instructions.
- The device must only be used when it functions properly. If the product or part of the product is defective, it must be taken out of operation and disposed of correctly.
- Never use the device in a room where there is a danger of explosion or in the vicinity of flammable liquids or gasses.
- Always ensure that a device which has been switched off cannot be restarted unintentionally.
- Do not use devices with an on/off switch that does not function correctly.
- Keep children away from the device! Keep the device out of the way of children and other unauthorized persons.

### Electrical safety

- The device may only be connected to a socket that is correctly installed and grounded.
- The fuse must be a residual current circuit-breaker with a measured residual current of no more than 30 mA.
- Make sure that the power supply corresponds with the connection specifications of the device before it is connected.
- The tool may only be used within the specified limitations for voltage and power (see type plate).
- Do not touch the mains plug with wet hands! Always pull out the mains plug at the plug and not by the cable.
- Do not bend, crush, pull or drive over the power cable, protect from sharp edges, oil and heat.
- Do not lift the device using the cable or use the cable for purposes other than intended.
- Check the plug and cable before each use.
- If the power cable is damaged immediately disconnect the plug. Never use the device if the power cable is damaged.
- If the device is not in use make sure the plug is pulled out.
- Make sure that the device is switched off before plugging in the mains cable.
- Make sure that the device is switched off before unplugging it.
- Disconnect the power supply before transporting the device.

### Device-specific safety instructions

- The unit may not be operated indoors.
- The unit may not be operated in the vicinity of swimming pools, garden ponds etc.
- Do not move the unit when it is in use.
- Do not tilt the unit when it is in use.
- Never feed objects through the ventilation slots into the unit. Risk to life!
- The gap between the ventilation slots and flammable objects must be at least 75 cm.
- The unit may not be covered. This causes a risk of fire.
- The unit must be assembled on an even, horizontal surface with space surrounding it. The safety gaps must always be adhered to.
- Never expose the unit to water or other liquids.
- Never use the heater with a timer or another switch that activates the unit automatically as this carries a risk of fire.
- The heater may not be set up directly underneath a wall power socket.
- Symbols affixed to your unit may not be removed or covered. Information on the unit that is no longer legible must be replaced immediately.
- When mounting heaters on a high level the heater must be installed at least 1.8m above the floor.



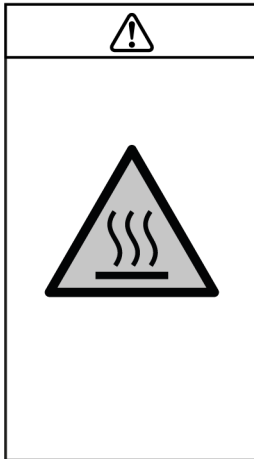
## For your safety

### General safety instructions

- This appliance can be used by children aged from 8 years and above and persons with reduced psychical, sensory or mental capabilities or lack of experience and knowledge if they have been given supervision or instruction concerning the use of the appliance in a safe way and understands the hazard involved. Children shall not play with the appliance. Cleaning and user maintenance shall not be made by children without supervision.
- Children of less than 3 years should be kept away unless continuously supervised.
- Children aged from 3 years and less than 8 years shall only switch on/off the appliance provided that it has been placed or installed in its intended normal operating position and they have been given supervision or instruction concerning use of the appliance in a safe way and understand the hazards involved.
- Children aged from 3 years and less than 8 years shall not plug in, regulate and clean the appliance or perform user maintenance.
- If the supply cord is damaged, it must be replaced by the manufacturer, its service agent or similarly qualified persons in order to avoid a hazard.
- **CAUTION** — Some parts of this product can become very hot and cause burns. Particular attention has to be given where children and vulnerable people are present.

### Device-specific safety instructions

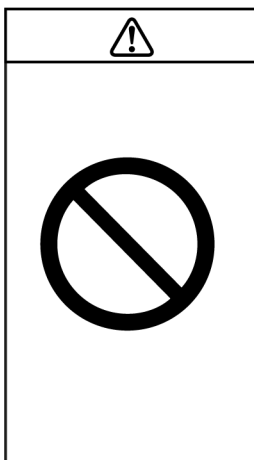
- Never cover the appliance with clothing or flammable objects. This will overheat the appliance this could lead to a fire risk.
- The gap between the ventilation slots and flammable objects must be at least 75 cm.
  - Be mindful of installation near curtains and other combustible materials. Other distances of at least 75 cm apply.



NL - WAARSCHUWING!  
HEET OPPERVLAAK!  
DE - WARNUNG!  
HEISSE OBERFLÄCHE!  
IT - AVVERTIMENTO!  
SUPERFICIE CALDA  
FR - ATTENTION!  
SURFACE CHAUDE!  
EN - WARNING!  
HOT SURFACE!  
ES - ¡ADVERTENCIA!  
¡SUPERFICIE CALIENTE!  
CZ - UPOZORENJE!  
VELIKA POVRŠINA!  
SK - OPOZORILO!

VROČA POVRŠINA!  
PL - OSTRZEŻENIE!  
GORĄCA  
POWIERZCHNIA!  
SI - OPOZORILO!  
VROČA POVRŠINA!  
HU - FIGYELEM!  
FORRÓ FELÜLET!  
HR - UPOZORENJE!  
VELIKA POVRŠINA!  
BA - UPOZORENJE!  
VELIKA POVRŠINA!  
RO - AVERTIZARE!  
SUPRAFATA FIERBINTE!  
RU - ПРЕДУПРЕЖДЕНИЕ!

ГОРЯЧА  
ПОВЕРХНОСТЬ!  
UA - УВАГА!  
ГОРЯЧА ПОВЕРХНЯ!  
DK - ADVARSEL!  
VARMT OVERFLADE!  
NO - ADVARSEL!  
VARM OVERFLATE!  
SE - VARNING!  
VARM YTA!



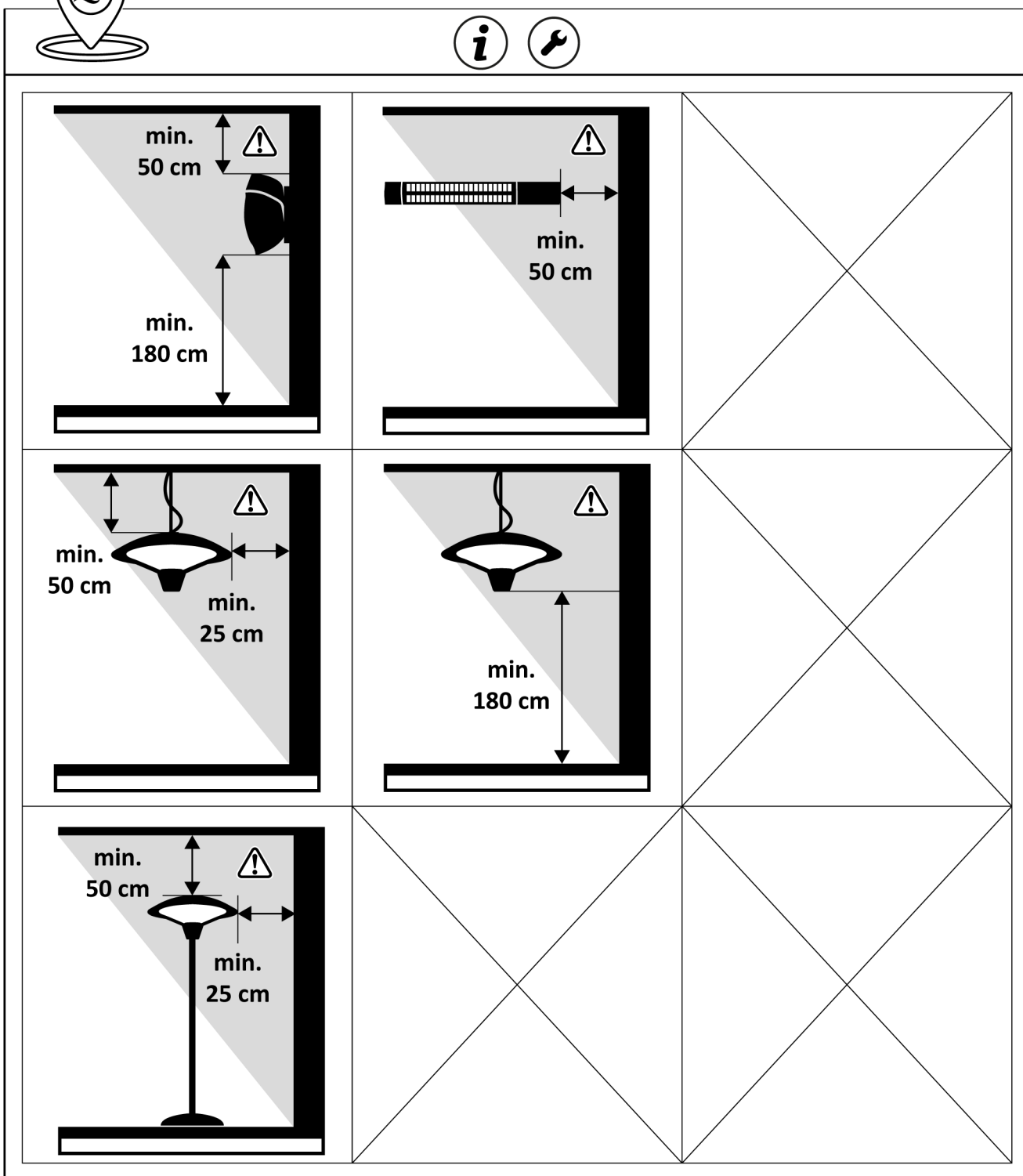
NL - WAARSCHUWING!  
APPARAAT NIET  
AFDEKKEN.  
DE - WARNUNG!  
DAS GERÄT  
NICHT ABDECKEN.  
IT - AVVERTENZA!  
È VIETATO COPRIRE  
L'APPARECCHIO.  
FR - AVERTISSEMENT !  
NE COUVREZ PAS  
L'APPAREIL.  
EN - WARNING!  
DO NOT COVER  
DEVICE!  
ES - ¡ADVERTENCIA!  
SE PROHÍBE TAPAR EL  
DISPOSITIVO.  
CZ - UPOZORNĚNÍ!  
ZAŘÍZENÍ JE  
ZAKÁZÁNO ZAKRÝVAT.  
SK - UPOZORNENIE!  
ZARIADENIE JE  
ZAKÁZANÉ ZAKRÝVAŤ.  
PL - OSTRZEŻENIE!  
NIE WOLNO PRZYKRY  
WAĆ URZĄDZENIA.  
SI - OPOZORILO!  
NI DOVOLJENO

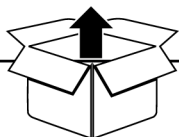
POKRIVAN JE  
NAPRAVE.  
HU - FIGYELEM!  
NE TAKARJA LE A  
KÉSZÜLÉKET.  
HR - UPOZORENJE!  
UREĐAJ SE  
NE SMIJE POKRIVATI.  
BA - UPOZORENJE!  
UREĐAJ SE NE SMIJE  
POKRIVATI.  
RO - AVERTIZARE!  
ESTE INTERZIS SĂ SE  
ACOPERE  
DISPOZITIVUL.  
RU - ВНИМАНИЕ! НЕ  
ПРИКРЫВАЙТЕ  
ПРИБОРА.  
UA - ЗАСТЕРЕЖЕННЯ!  
ЗАБОРОНЯЄТЬСЯ  
НАКРИВАТИ  
ПРИСТРІЙ.  
DK - ADVARSEL!  
UDSTYRET MÅ IKKE  
TILDÆKKES.  
NO - ADVARSEL!  
ENHETEN MÅ IKKE  
TILDEKKES.  
SE - VARNING!

ANORDNINGEN FÅR INTE  
TÄCKAS ÖVER.



= RECOMMENDED

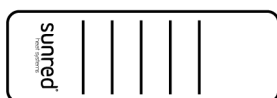





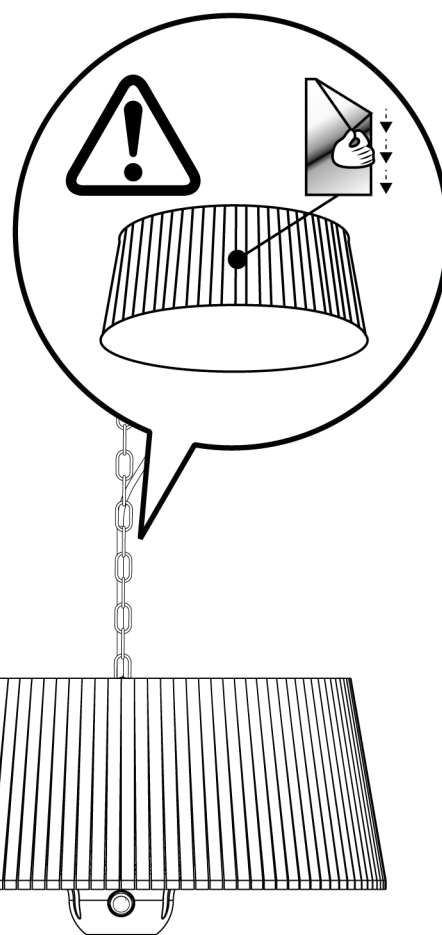
1 (1x)



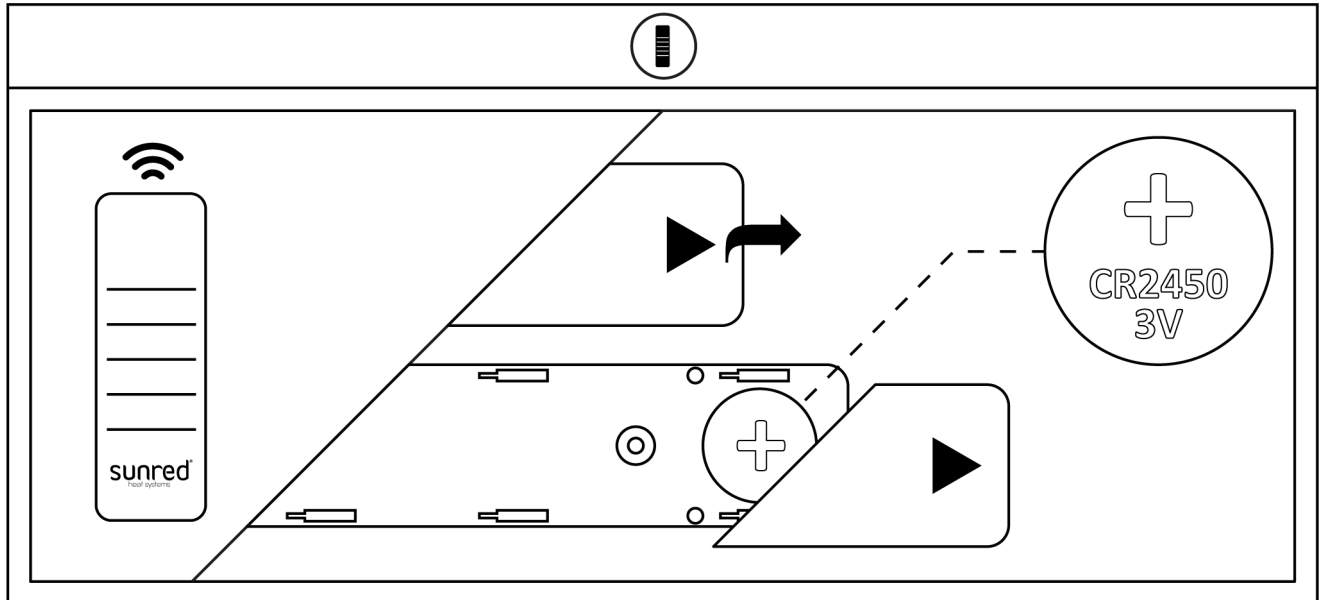
A (1x)



2 (1x)







## Battery operated appliance

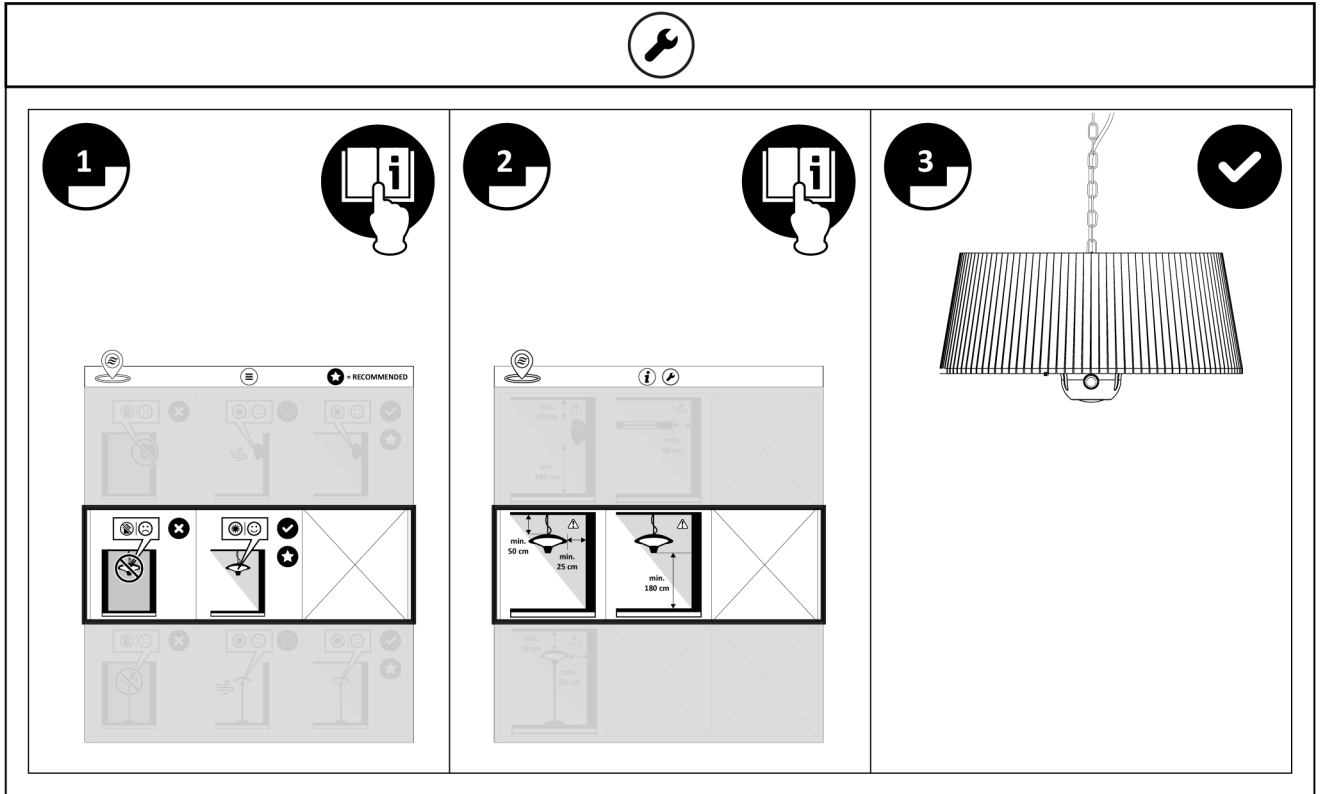
### General safety instructions

- Remove or insert batteries following the image above.
- Non rechargeable batteries are not to be recharged.
- Rechargeable batteries are to be removed from the appliance before being charged.
- Different types of batteries or new and used batteries are not to be mixed.
- Batteries are to be inserted with the correct polarity.
- Exhausted batteries are to be removed from the appliance and safely disposed of
- If the appliance is to be stored unused for a long period, the batteries should be removed;
- The supply terminals are not to be short-circuited.

**Warning:** If the heater is switched off by using the remote control the heater will go in 'stand by' mode. When the heater is not in use always switch the heater off by using the on/off switch and take the plug out of the socket.



2



3

		1	2	3	1 + 2 + 3
<div style="display: flex; flex-direction: column; align-items: center;"> <div style="display: flex; flex-direction: column; gap: 5px;"> <span>1</span> <span>2</span> <span>3</span> </div> <div style="border: 1px solid black; padding: 5px; width: 100px;"> <input type="radio"/> LOW  <input type="radio"/> LED LIGHT  <input type="radio"/> HIGH                 </div> </div>	-	1x 	1x 	1x 	1x 
		800 Watt	LED Light	1000 Watt	1800 Watt + LED Light



<p><b>1</b></p>	<p><b>!</b></p>	<p><b>!</b> Click!</p>	<p><b>1</b></p> <p><b>1x</b></p>
<p><b>SOFT TOUCH</b></p>	<p>-</p>	<p>-</p>	<p>800 Watt</p>
	<p><b>2x</b></p>	<p><b>3x</b></p>	<p><b>4x</b></p>
	<p>1800 Watt</p>	<p>LED Light</p>	<p>1800 Watt + LED Light</p>
	<p><b>5x</b></p>		
	<p>-</p>		



## Cleaning

- Switch the unit off and allow it to cool down completely.
- Unplug from the power source.
- Wipe the unit with a damp cloth.
- To clean the heating bars and the reflector, use a brush with long, soft bristles

## Disposal of the appliance



Appliances which are labelled with the adjacent symbol must not be disposed of in household waste. You must dispose of such old electrical and electronic equipment separately.

Through separate disposal you send old equipment for recycling or for other forms of re-use. You will thus help to avoid in some cases that damaging material gets into the environment.

For private households: Information on Disposal for Users of WEEE this symbol on the product(s) and / or accompanying documents means that used electrical and electronic equipment (WEEE) should not be mixed with general household waste. For proper treatment, recovery and recycling, please take this product(s) to designated collection points where it will be accepted free of charge.

Disposing of this product correctly will help save valuable resources and prevent any potential negative effects on human health and the environment, which could otherwise arise from inappropriate waste handling. Please contact your local authority for further details of your nearest designated collection point. Penalties may be applicable for incorrect disposal of this waste, in accordance with your national legislation.

	220-240V 50Hz
	Halogen / 8000 H
	800 / 1000 / 1800 W
	30 x 60 cm dia
	App. 5 kg
	Insulation class I
	IP24
	CE
All measurements are approximate.	

For professional users in the European Union If you wish to discard electrical and electronic equipment (EEE), please contact your dealer or supplier for further information.

For disposal in countries outside of the European Union This symbol is only valid in the European Union (EU). If you wish to discard this product please contact your local authorities or dealer and ask for the correct method of disposal.

## Disposal of the packaging

The packaging consists of cardboard and correspondingly marked plastics that can be recycled.

- Make these materials available for recycling.



## WARRANTY CARD



### 2 years limited warranty

Please complete this form and fax or e-mail to the numbers below. Please return with a receipt to your retailer if your products becomes faulty.

- Please add a scan/copy of the receipt.
- Please add images/pictures and a **description** of the faulty or damaged product.

Your name:

Your address:

E-mail address:

Postcode:

Product name:

Model number:

Batch code:

(located at rating label  
on the rear or side of  
the unit.)

Place of purchase: .....

Date of purchase:

Year:


OutTrade B.V.  
Meeleweg 76  
7711 EP Nieuwleusen  
The Netherlands

Tel: +31-529—48 28 08  
Fax: +31-529—48 49 10

info@outtrade.eu  
www.outtrade.eu

Please describe the fault:



EU DECLARATION OF CONFORMITY		
We,	OutTrade B.V. Meeleweg 76 7711 EP Nieuwleusen	
Declare under our sole responsibility that the product described below:		
Brand and model name:	Sunred	ARTIX M-HO BROWN/ARTIX-M-HO GREY
Equipment Classification	Electrical Outdoor Patio Heater	
Is in conformity with the following Standards and Directives:		
Standard	<p>With reference to RoHS Directive (EC/EU) 2015/863 IEC 60335-2-30:2009, COR1:2014,AMD1:2016 used in conjunction with IEC 60335-1:2010,COR:2010,COR2:2010, AMD1:2013,COR1:2014,AMD2:2016,COR1:2016</p> <p>EN 60335-1:2012+A11:2014+A13:2017 EN 60335-2-30:2009+A11:2012 EN 62233: 2008</p> <p>EN 55014-1:2017 EN 55014-2:2015 EN 61000-3-2:2014 EN 61000-3-3:2013</p>	
I hereby declare that the equipment named above has been designed to comply with the relevant sections of above referenced Standards and meets all essential requirements of the specified Directives.		
Signed: R. Dijkman	Signed for and on behalf of: OutTrade B.V.	
Position: Managing Director		
Location: Nieuwleusen, The Netherlands	Date of issue:	Nieuwleusen, 22/11/2021



**OutTrade BV**

Meeleweg 76—7711 EP Nieuwleusen

Tel: +31 (0)529-482808

Fax: +31 (0)529-484910

Email: info@outtrade.eu

Website: www.outtrade.eu



## NL Terrasverwarmer

### Vertaling van de originele instructies

Geachte klant,

Bedankt voor het vertrouwen in ons product!

Lees deze gebruikshandleiding voordat u het product voor de eerste keer gebruikt! Hier vindt u informatie over het veilige gebruik van het product en de lange levensduur. Let op alle veiligheidsinstructies in dit document!

### Hoe deze instructies te gebruiken

Alle benodigde diagrammen zijn te vinden op de eerste pagina's van deze instructies. Binnen de beschrijvingen wordt u geleid door kruisverwijzingen naar de juiste diagrammen.

## Voordat u begint...

### Beoogd gebruik

Bij gebruik voor het beoogde doel komt dit apparaat overeen met de stand van de techniek, evenals met de huidige veiligheidseisen ten tijde van de introductie.

De unit is een verwarming voor gebruik in overdekte buitenruimtes.

Het apparaat is niet geschikt voor commercieel of industrieel gebruik.

Elk ander type gebruik is ongepast. Oneigenlijk gebruik of wijzigingen aan het apparaat of het gebruik van componenten die niet zijn getest en goedgekeurd door de fabrikant kunnen leiden tot onvoorziene schade!

Elk gebruik dat afwijkt van het bedoelde gebruik en niet is opgenomen in deze instructies, wordt beschouwd als ongeoorloofd gebruik en ontslaat de fabrikant van zijn of haar wettelijke aansprakelijkheid.





## Voor uw veiligheid

### Algemene veiligheidsinstructies

- Dit apparaat kan worden gebruikt door kinderen van 8 jaar en ouder en personen met verminderde psychische, sensorische of mentale vermogens of gebrek aan ervaring en kennis, mits ze onder toezicht staan of instructies hebben gekregen over het veilige gebruik van het apparaat en ze de gevaar. Kinderen mogen niet met het apparaat spelen. Reiniging en gebruikersonderhoud mogen niet zonder toezicht door kinderen worden uitgevoerd.
- Kinderen jonger dan 3 jaar moeten worden weggehouden, tenzij ze voortdurend onder toezicht staan.
- Dit apparaat kan worden gebruikt door kinderen van 8 jaar en ouder en personen met verminderde psychische, sensorische of mentale vermogens of gebrek aan ervaring en kennis, mits ze onder toezicht staan of instructies hebben gekregen over het veilige gebruik van het apparaat en ze de gevaar. Kinderen mogen niet met het apparaat spelen. Reiniging en gebruikersonderhoud mogen niet zonder toezicht door kinderen worden uitgevoerd.
- Kinderen vanaf 3 jaar en jonger dan 8 jaar mogen het apparaat alleen in- en uitschakelen als het in de bedoelde normale gebruikpositie is geplaatst of geïnstalleerd en zij onder toezicht staan of instructies hebben gekregen voor een veilig gebruik van het apparaat en de gevaren ervan begrijpen.
- Kinderen vanaf 3 jaar en jonger dan 8 jaar mogen het toestel niet aansluiten, regelen, reinigen en/of gebruikersonderhoud uitvoeren.
- Als het netsnoer beschadigd is, moet het worden vervangen door de fabrikant, diens service-agent of een soortgelijk gekwalificeerd persoon om gevaar te voorkomen.
- Bedek het apparaat nooit met kleding of brandbare voorwerpen. Hierdoor zal het toestel oververhit raken, wat tot brandgevaar kan leiden.
- De afstand tussen de ventilatiesleuven en brandbare voorwerpen moet ten minste 75 cm bedragen.
- Let op voor installatie in de buurt van gordijnen en andere brandbare materialen. Er gelden andere afstanden van ten minste 75 cm.
- Bij montage van terrasverwarmers op een hoog niveau moet de verwarmers ten minste 1,8 m boven de vloer worden geïnstalleerd. (voor wand- en hangende terrasverwarmers)







## Voor uw veiligheid

### Algemene veiligheidsinstructies

- Om dit apparaat veilig te gebruiken, moet de gebruiker deze gebruiksinstructies hebben gelezen en begripen voordat hij het apparaat voor de eerste keer gebruikt.
- Neem alle veiligheidsinstructies in acht! Als u dit niet doet, kan dit schade toebrengen aan u en anderen.
- Bewaar alle gebruiksinstructies en veiligheidsinstructies voor toekomstig gebruik.
- Als u het apparaat verkoopt of doorgeeft, moet u ook deze gebruiksaanwijzing overhandigen.
- Het apparaat mag alleen worden gebruikt als het goed functioneert. Als het product of een deel van het product defect is, moet het buiten werking worden gesteld en op correcte wijze worden verwijderd.
- Gebruik het apparaat nooit in een ruimte waar ontploffingsgevaar bestaat of in de buurt van ontvlambare vloeistoffen of gassen.
- Zorg er altijd voor dat een uitgeschakeld apparaat niet per ongeluk opnieuw kan worden opgestart.
- Gebruik geen apparaten met een aan / uit-schakelaar die niet goed functioneert.
- Houd kinderen uit de buurt van het apparaat! Houd het apparaat uit de buurt van kinderen en andere onbevoegde personen.
- Overbelast het apparaat niet. Gebruik het apparaat niet voor doeleinden waarvoor het niet is bedoeld.
- Wees voorzichtig en werk alleen in goede staat: als u moe of ziek bent, als u alcohol, medicijnen of illegale drugs heeft ingenomen, mag u het apparaat niet gebruiken, omdat u niet in de veilige toestand verkeert.
- Dit product is niet bedoeld voor gebruik door personen (inclusief kinderen) of die beperkt zijn in hun fysieke, sensorische of mentale capaciteiten of die geen ervaring en / of kennis van het product hebben, tenzij ze onder toezicht staan of zijn geïnstrueerd over het gebruik van dit product. Gebruik het product door een persoon die verantwoordelijk is voor hun veiligheid.
- Zorg ervoor dat kinderen niet met het apparaat kunnen spelen.
- Houd u altijd aan alle toepasselijke nationale en internationale veiligheids-, gezondheids- en werkregelingen.

### Electrische veiligheid

- Het apparaat mag alleen worden aangesloten op een stopcontact die correct is geïnstalleerd en is geaard.
- De zekering moet een aardlekschakelaar zijn met een gemeten reststroom van niet meer dan 30 mA.
- Zorg ervoor dat de voeding overeenkomt met de verbindingsspecificaties van het apparaat voordat het wordt aangesloten.
- Het apparaat mag alleen binnen de aangegeven beperkingen voor spanning en vermogen worden gebruikt (zie typeplaatje).
- Raak de stekker niet met natte handen aan! Trek altijd de stekker uit het stopcontact en niet aan de kabel.
- Buig, plet, trek of rij niet over de voedingskabel, bescherm tegen scherpe randen, olie en hitte.
- Til het apparaat niet op aan de kabel of gebruik de kabel niet voor andere doeleinden.
- Controleer de stekker en de kabel vóór elk gebruik.
- Koppel de stekker los als de stroomkabel beschadigd is. Gebruik het apparaat nooit als het netsnoer is beschadigd.
- Controleer als het apparaat niet in gebruik is de stekker uit het stopcontact.
- Zorg ervoor dat het apparaat is uitgeschakeld voordat u de stekker in het stopcontact steekt.
- Zorg dat het apparaat is uitgeschakeld voordat u het loskoppelt.
- Ontkoppel de voeding voordat u het apparaat vervoert.

### Apparaat specifieke veiligheidsinstructies

- Het apparaat mag niet binnenshuis worden gebruikt.
- Het apparaat mag niet worden gebruikt in de buurt van zwembaden, tuinvijvers enz.
- Verplaats het apparaat niet wanneer het in gebruik is.
- Kantel het apparaat niet wanneer het in gebruik is.
- Steek geen voorwerpen door de ventilatiesleuven in het apparaat. Levensgevaar!



- De opening tussen de ventilatiesleuven en brandbare voorwerpen moet minimaal 75 cm zijn.
- Het apparaat mag niet bedekt worden. Dit veroorzaakt brandgevaar.
- Het apparaat moet worden gemonteerd op een vlak, horizontaal oppervlak met ruimte eromheen. De veiligheidsinstructies moeten altijd worden aangehouden.
- Stel het apparaat nooit bloot aan water of andere vloeistoffen.
- Gebruik het apparaat nooit met een timer of een andere schakelaar die het apparaat automatisch activeert, omdat dit een risico van brand met zich meebrengt.
- Het apparaat mag niet direct onder een stopcontact worden geplaatst.
- Symbolen die op uw apparaat zijn aangebracht, mogen niet worden verwijderd of afgedekt. Informatie over het apparaat die niet meer leesbaar is, moet onmiddellijk worden vervangen.

## Schoonmaak

- Schakel het apparaat uit en laat het volledig afkoelen.
- Koppel de voedingsbron los.
- Veeg het apparaat af met een vochtige doek.
- Gebruik een borstel met lange, zachte borstelharen om de verwarmingsstaven en de reflector schoon te maken.

## Verwijdering van het apparaat

Apparaten die zijn gelabeld met het nevenstaande symbool mogen niet bij het huisvuil worden gegooid. U moet dergelijke oude elektrische en elektronische apparatuur afzonderlijk weggooien.

Bij gescheiden afvalverwerking stuurt u oude apparatuur op voor recycling of voor andere vormen van hergebruik. Zo helpt u in sommige gevallen voorkomen dat er schadelijk materiaal in het milieu terecht komt.



Voor particuliere huishoudens:

Informatie over het weggooien voor gebruikers van WEEE dit symbool op het / de product (en) en / of begeleidende documenten betekent dat gebruikte elektrische en elektronische apparatuur (WEEE) niet mag worden gemengd met algemeen huishoudelijk afval. Breng dit product voor een juiste behandeling, terugwinning en recycling naar aangewezen inzamelpunten waar het gratis wordt geaccepteerd.

Door dit product op de juiste manier af te voeren, bespaart u waardevolle hulpbronnen en voorkomt u mogelijke negatieve effecten op de menselijke gezondheid en het milieu, die anders zouden kunnen ontstaan door onjuiste afvalverwerking. Neem contact op met uw lokale overheid voor meer informatie over het dichtstbijzijnde aangewezen inzamelpunt. In overeenstemming met uw nationale wetgeving kunnen er boetes van toepassing zijn op het onjuist weggooien van dit afval.

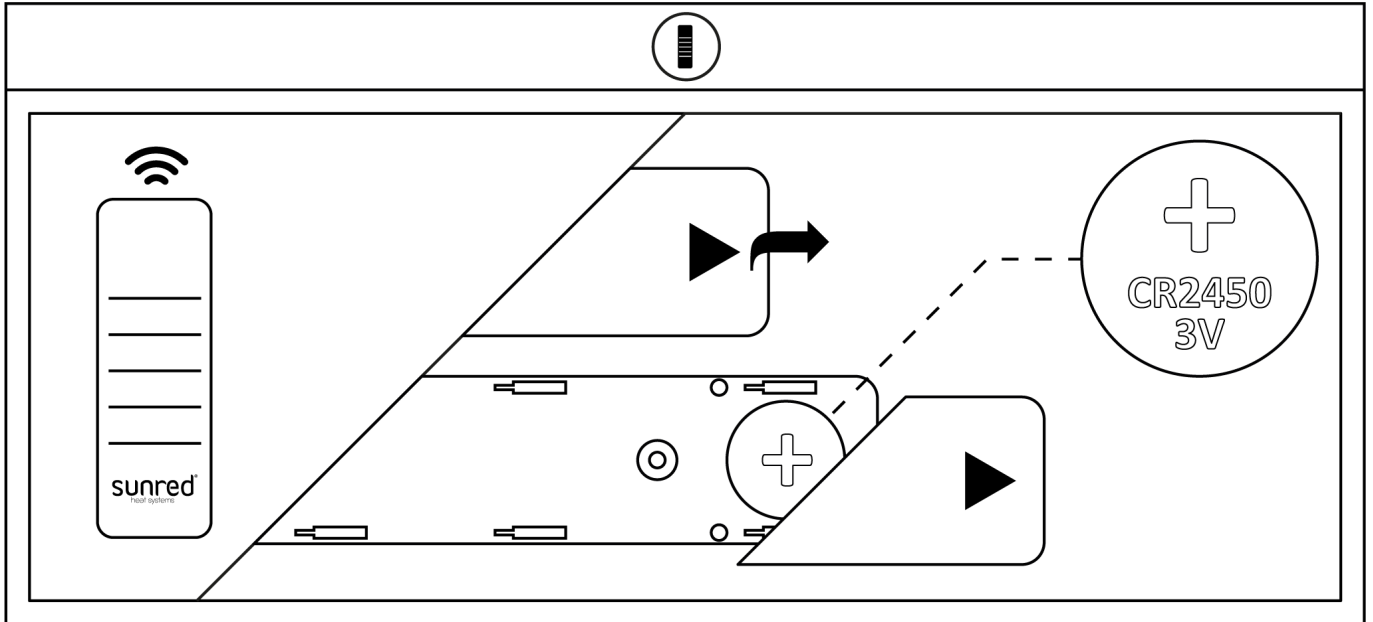
Voor professionele gebruikers in de Europese Unie: Als u elektrische en elektronische apparatuur (EEE) wilt weggooien, neem dan contact op met uw dealer of leverancier voor meer informatie.

Voor verwijdering in landen buiten de Europese Unie: Dit symbool is alleen geldig in de Europese Unie (EU). Als u dit product wilt weggooien, neem dan contact op met uw plaatselijke autoriteiten of dealer en vraag naar de juiste verwijderingsmethode.

## Verwijdering van de verpakking

De verpakking bestaat uit karton en dienovereenkomstig gemarkeerde kunststoffen die gerecycled kunnen worden.

- Maak deze materialen beschikbaar voor recycling.



## Op batterijen werkend toestel

### Algemene veiligheidsinstructies

- Verwijder of plaats de batterijen volgens de bovenstaande afbeelding.
- Niet-oplaadbare batterijen mogen niet worden opgeladen.
- Oplaadbare batterijen moeten uit het apparaat worden verwijderd voordat ze worden opgeladen.
- Verschillende soorten batterijen of nieuwe en gebruikte batterijen mogen niet worden gemengd.
- Batterijen dienen met de juiste polariteit geplaatst te worden.
- Lege batterijen moeten uit het apparaat worden verwijderd en veilig worden weggegooid.
- Als het apparaat voor langere tijd ongebruikt wordt opgeslagen, moeten de batterijen worden verwijderd;
- Voorkom kortsluiting in de voedingsklemmen.

**Waarschuwing:** Als het apparaat wordt uitgeschakeld met behulp van de afstandsbediening gaat het apparaat in de 'stand-by' stand. Als het apparaat niet wordt gebruikt, zet het dan altijd uit met de aan/uit-schakelaar en neem de stekker uit het stopcontact.



## GARANTIEKAART



### 2 jaar beperkte garantie

Vul dit formulier in en stuur het per fax of e-mail naar de onderstaande nummers. Als het product defect blijkt te zijn, stuur het dan samen met het aankoopbewijs terug naar de verkoper.

- Gelieve een scan/kopie van de kassabon bij te voegen.
- Gelieve foto's/afbeeldingen en een beschrijving van het defecte of beschadigde product bij te voegen.

Uw naam:

Adres:

E-mail adres:

Postcode:

#### Product

Model nummer:

Serie nummer:

(vermeld op het gegevensplaatje op de achterzijde van het apparaat)

Plaats van aankoop:

Datum van aankoop:

Jaar:

OutTrade B.V.  
Meeleweg 76  
7711 EP Nieuwleusen  
The Netherlands

Tel: +31-529—48 28 08  
Fax: +31-529—48 49 10

info@outtrade.eu  
www.outtrade.eu

Beschrijf het defect:



## DE Terrassenheizstrahler

### Originalbetriebsanleitung

Sehr geehrte Kundin, sehr geehrter Kunde,

wir freuen uns über Ihr Vertrauen!

Lesen Sie vor der ersten Inbetriebnahme unbedingt diese Gebrauchsanweisung! Hier finden Sie alle Hinweise für einen sicheren Gebrauch und eine lange Lebensdauer des Gerätes. Beachten Sie unbedingt alle Sicherheitshinweise in dieser Anweisung!

Zum Umgang mit dieser Gebrauchsanweisung

Alle erforderlichen Abbildungen und Hinweise zum Aufbau dieses Heizstrahlers finden Sie in dieser Gebrauchsanweisung auf den ersten Seiten. Innerhalb der Beschreibungen werden Sie durch Verweise zu den entsprechenden Abbildungen geführt.

### Bevor Sie beginnen...

#### Bestimmungsgemäßer Gebrauch

Das Gerät entspricht dem Stand von Wissenschaft und Technik, sowie den geltenden Sicherheitsbestimmungen zum Zeitpunkt des Inverkehrbringens im Rahmen seiner bestimmungsgemäßen Verwendung.

Das Gerät ist als Heizgerät für den überdachten Außenbereich bestimmt.

Das Gerät ist nicht für den gewerblichen Gebrauch konzipiert.

Jede andere Verwendung ist bestimmungswidrig. Durch bestimmungswidrige Verwendung, Veränderungen am Gerät oder durch den Gebrauch von Teilen, die nicht vom Hersteller geprüft und freigegeben sind, können unvorhersehbare Schäden entstehen!

Jede nicht bestimmungsgemäße Verwendung bzw. alle nicht in dieser Gebrauchsanweisung beschriebenen Tätigkeiten am Gerät sind unerlaubter Fehlgebrauch außerhalb der gesetzlichen Haftungsgrenzen des Herstellers.





## Zu Ihrer Sicherheit

### Allgemeine Sicherheitshinweise

- Dieses Gerät kann von Kindern ab 8 Jahren und darüber sowie von Personen mit verringerten psychischen, sensorischen oder mentalen Fähigkeiten oder Mangel an Erfahrung und Wissen benutzt werden, wenn sie beaufsichtigt oder bezüglich des sicheren Gebrauchs des Geräts unterwiesen wurden und die daraus resultierenden Gefahren verstehen. Kinder dürfen nicht mit dem Gerät spielen. Die Reinigung und Benutzerwartung darf nicht von Kindern ohne Aufsicht durchgeführt werden.
- Die Strahler der Terrassenheizung sind mindestens 1,8 Meter über dem Fußboden zu montieren (betrifft: Wand- und Deckenstrahler).
- Kinder unter 3 Jahren sollten sich nicht unbeaufsichtigt in der Nähe des Geräts aufhalten.
- Kinder zwischen 3 und 8 Jahren sollten das Gerät nur ein- oder ausschalten dürfen, wenn es in seiner vorgesehenen normalen Betriebsposition aufgestellt bzw. installiert wurde und die Kinder beaufsichtigt werden oder in den sicheren Betrieb des Geräts eingewiesen wurden und die damit verbundenen Gefahren verstanden haben. Kinder zwischen 3 und 8 Jahren dürfen das Gerät nicht an eine Steckdose anschließen, benutzen, reinigen oder warten.
- Kinder im Alter von 3 bis 8 Jahren dürfen das Gerät nur dann ein- bzw. ausschalten, wenn das Gerät ordnungsgemäß montiert wurde, die Kinder überwacht sind bzw. entsprechende Unterweisung zum sicheren Betrieb des Geräts erhalten haben und die möglichen damit verbundenen Gefahren erkennen können.
- Kinder im Alter von 3 bis 8 Jahren dürfen das Gerät weder anschließen noch einstellen noch warten bzw. reinigen.
- Ein beschädigtes Netzkabel ist durch den Hersteller, seinen Service bzw. durch eine qualifizierte Person auszutauschen, um die Gefährdung zu vermeiden.
- Wegen Brandgefährdung infolge von Überhitzung darf das Gerät niemals mit Kleidungsstücken bzw. leichtbrennbaren Stoffen überdeckt werden.
- Zwischen den Lüftungsschlitzen und leicht brennbaren Gegenständen ist ein Abstand von mindestens 75 cm einzuhalten.
- Bei der Montage des Geräts in der Nähe von Gardinen und sonstigen brennbaren Stoffen ist eine besondere Sorgfalt geboten - der Abstand von mindestens 75 cm ist unbedingt einzuhalten.





## Zu Ihrer Sicherheit

### Allgemeine Sicherheitshinweise

- Für einen sicheren Umgang mit diesem Gerät muss der Benutzer des Gerätes diese Gebrauchsanweisung vor der ersten Benutzung gelesen und verstanden haben.
- Beachten Sie alle Sicherheitshinweise! Wenn Sie die Sicherheitshinweise missachten, gefährden Sie sich und andere.
- Bewahren Sie alle Gebrauchsanweisungen und Sicherheitshinweise für die Zukunft auf.
- Wenn Sie das Gerät verkaufen oder weitergeben, händigen Sie unbedingt auch diese Gebrauchsanweisung aus.
- Das Gerät darf nur benutzt werden, wenn es einwandfrei in Ordnung ist. Ist das Gerät oder ein Teil davon defekt, muss es außer Betrieb genommen und fachgerecht entsorgt werden.
- Verwenden Sie das Gerät nicht in explosionsgefährdeten Räumen oder in der Nähe von brennbaren Flüssigkeiten oder Gasen!
- Ausgeschaltetes Gerät immer gegen unbeabsichtigtes Einschalten sichern.
- Benutzen Sie keine Geräte, bei denen der Ein-Aus-Schalter nicht ordnungsgemäß funktioniert.
- Halten Sie Kinder vom Gerät fern! Bewahren Sie das Gerät sicher vor Kindern und unbefugten Personen auf.
- Überlasten Sie das Gerät nicht. Benutzen Sie das Gerät nur für Zwecke, für die es vorgesehen ist.
- Bitte gebrauchen Sie den Heizstrahler immer mit Umsicht und nur in guter Verfassung: Müdigkeit, Krankheit, Alkoholge-nuss, Medikamenten- und Drogeneinfluss sind unverantwortlich, da Sie das Gerät nicht mehr sicher benutzen können.
- Dieses Gerät ist nicht dafür bestimmt, durch Personen (einschließlich Kinder) mit eingeschränkten physischen, sensorischen oder geistigen Fähigkeiten oder Mangel an Erfahrung und/oder Wissen benutzt zu werden, es sei denn, sie werden durch eine für ihre Sicherheit zuständige Person beaufsichtigt oder erhalten von dieser Anweisungen, wie das Gerät zu benutzen ist.
- Stellen Sie sicher, dass Kinder nicht mit dem Gerät spielen.
- Immer die gültigen nationalen und internationalen Sicherheits-, Gesundheits- und Arbeitsvorschriften beachten.

### Elektrische Sicherheit

- Das Gerät darf nur an eine Steckdose mit ordnungsgemäß installiertem Schutzkontakt angeschlossen werden.
- Die Absicherung muss mit einem Fehlerstrom-Schutzschalter (FI-Schalter) mit einem Bemessungsfehlerstrom von nicht mehr als 30 mA erfolgen.
- Vor Anschließen des Gerätes muss sichergestellt sein, dass der Netzanschluss den Anschlussdaten des Gerätes entspricht.
- Das Gerät darf nur innerhalb der angegebenen Grenzen für Spannung und Leistung verwendet werden (siehe Typenschild).
- Netzstecker nicht mit nassen Händen anfassen! Netzstecker immer am Stecker, nicht am Kabel herausziehen.
- Netzkabel nicht knicken, quetschen, zerren oder überfahren; vor scharfen Kanten, Öl und Hitze schützen.
- Gerät nicht am Kabel anheben oder Kabel anderweitig zweckentfremden.
- Kontrollieren Sie vor jeder Benutzung Stecker und Kabel.
- Bei Beschädigung des Netzkabels umgehend Netzstecker ziehen. Gerät nie mit beschädigtem Netzkabel benutzen.
- Bei Nichtbenutzung muss immer der Netzstecker gezogen sein.
- Vor Einstecken des Netzsteckers sicherstellen, dass das Gerät ausgeschaltet ist.
- Vor Ziehen des Netzsteckers immer Gerät ausschalten.
- Gerät beim Transport stromlos schalten.

### Gerätespezifische Sicherheitshinweise

- Das Gerät darf nicht in Innenräumen betrieben werden.
- Das Gerät darf nicht in der Nähe von Swimmingpools, Gartenteichen etc. betrieben werden.
- Gerät während des Betriebs nicht bewegen.
- Gerät während des Betriebs nicht neigen.



- Niemals Gegenstände durch die Lüftungsgitter in das Gerät führen. Lebensgefahr!
- Der Abstand zwischen Lüftungsgitter und brennbaren Gegenständen muss mindestens 75 cm betragen.
- Das Gerät darf nicht abgedeckt werden. Es besteht Brandgefahr.
- Das Gerät muss ringsum frei auf einem ebenen waagerechten Untergrund stehen. Die Sicherheitsabstände müssen immer eingehalten werden.
- Das Gerät niemals Wasser oder anderen Flüssigkeiten aussetzen.
- Benutzen Sie das Heizgerät nicht mit einem Zeitschalter oder einem anderen Schalter, der das Gerät automatisch einschaltet, da sonst Brandgefahr besteht.
- Das Heizgerät darf nicht unmittelbar unterhalb einer Wandsteckdose aufgestellt werden.
- Symbole, die sich an Ihrem Gerät befinden, dürfen nicht entfernt oder abgedeckt werden. Nicht mehr lesbare Hinweise am Gerät müssen umgehend ersetzt werden.
- Bei der Montage von Heizgeräten auf einer hohen Ebene muss das Heizgerät mindestens 1,8 m über dem Boden installiert werden.

## Reinigung

- Gerät ausschalten und vollständig abkühlen lassen.
- Netzstecker ziehen.
- Gerät mit leicht angefeuchtetem Tuch abwischen.
- Zur Reinigung von Heizstäben und Reflektor einen Pinsel mit langen, weichen Borsten verwenden.



## Entsorgung

Geräte, die mit dem nebenstehenden Symbol gekennzeichnet sind, dürfen nicht über den Hausmüll entsorgt werden. Sie müssen solche Elektro- und Elektronik-Altgeräte getrennt entsorgen. Durch die getrennte Entsorgung führen Sie Altgeräte dem Recycling oder einer anderen Form der Wiederverwendung zu. Damit tragen Sie in einigen Fällen dazu bei, dass schädliche Stoffe nicht in die Umwelt gelangen.

Für private Haushalte:

Informationen zur Entsorgung für Nutzer von Elektro- und Elektronik-Altgeräten (WEEE). Dieses Symbol auf dem/den Produkt(en) und / oder in den Begleitdokumenten bedeutet, dass gebrauchte Elektro- und

Elektronikgeräte (WEEE) nicht in den allgemeinen Hausmüll gelangen dürfen. Für eine ordnungsgemäße Behandlung, Wiederverwertung und Recycling bringen Sie dieses Produkt bitte zu den dafür vorgesehenen Sammelstellen, wo es kostenlos angenommen wird.

Die ordnungsgemäße Entsorgung dieses Produkts trägt dazu bei, wertvolle Ressourcen zu sparen und mögliche negative Auswirkungen auf die menschliche Gesundheit und die Umwelt zu vermeiden, die sonst durch unsachgemäße Abfallbehandlung entstehen könnten. Bitte wenden Sie sich an Ihre örtliche Behörde, um weitere Informationen über die nächstgelegene ausgewiesene Sammelstelle zu erhalten. Bei unsachgemäßer Entsorgung dieses Abfalls können entsprechend Ihrer nationalen Gesetzgebung Strafen verhängt werden.

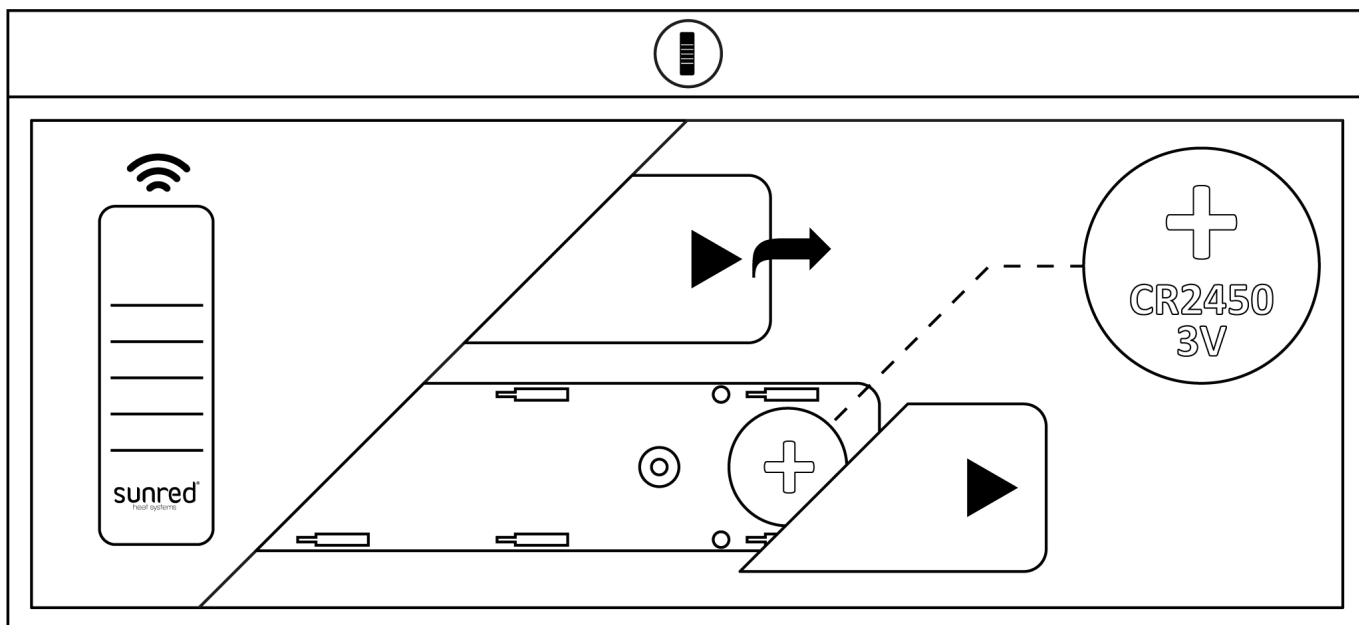
Für gewerbliche Anwender in der Europäischen Union: Wenn Sie elektrische und elektronische Geräte (EEE) entsorgen möchten, wenden Sie sich bitte an Ihren Händler oder Lieferanten, um weitere Informationen zu erhalten.

Für die Entsorgung in Ländern außerhalb der Europäischen Union: Dieses Symbol ist nur in der Europäischen Union (EU) gültig. Wenn Sie dieses Produkt entsorgen möchten, wenden Sie sich bitte an Ihre örtlichen Behörden oder Ihren Händler und erkundigen Sie sich nach der richtigen Entsorgungsmethode.

## Verpackung entsorgen

Die Verpackung besteht aus Karton und entsprechend gekennzeichneten Kunststoffen, die wiederverwertet werden können. Führen Sie diese Materialien der Wiederverwertung zu.





## Batteriebetrieb

### Allgemeine Sicherheitshinweise

- Einweg-Batterien dürfen nicht aufgeladen werden.
- Akkus sind vor dem Laden aus dem Gerät zu entfernen.
- Verschiedene Typen bzw. gebrauchte und neue Batterien dürfen nicht gemischt werden.
- Beim Einsetzen der Batterien ist auf die Polarität zu achten.
- Die entladenen Batterien sind zu entfernen und sicher zu entsorgen.
- Sollte das Gerät länger ungebraucht aufbewahrt werden, sind die Batterien zu entfernen.
- Die Versorgungsklemmen dürfen nicht kurzgeschlossen werden

**Warnung:** Beim Ausschalten des Heizstrahlers mit der Fernbedienung wird der Standby-Modus aktiviert. Bei längerer Betriebsunterbrechung ist der Heizstrahler mit dem Hauptschalter auszuschalten und der Stecker aus der Steckdose ausziehen.



## GARANTIEKARTE



### 2 Jahre eingeschränkte Garantie

Füllen Sie bitte das vorliegende Formular aus und senden Sie es per E-Mail oder Fax an die unten angegebenen Nummern. Sollte sich das Produkt als mangelhaft erweisen, geben Sie es an den Verkäufer zurück, samt dem Einkaufsnachweis.

- Legen Sie bitte Scan/Kopie der Kaufrechnung bei.
- Fügen Sie bitte Fotos/ Bilder und Beschreibung des mangelhaften oder beschädigten Produkts.

Ihr Name:

Adresse:

E-mail-Adresse:

Postleitzahl:

Product name:

Modellnummer:

Seriennummer:

(ist auf dem Typenschild auf der Rückseite des Geräts zu finden)

Einkaufsdatum:

Datum:

Jahr:

OutTrade B.V.  
Meeleweg 76  
7711 EP Nieuwleusen  
The Netherlands

Tel: +31-529—48 28 08  
Fax: +31-529—48 49 10

info@outtrade.eu  
www.outtrade.eu

Beschreiben Sie Mängel



## IT Irradiatore di calore da terrazza

### Traduzione delle istruzioni originali

Gentili clienti,

grazie per la fiducia accordataci.

Prima della messa in funzione raccomandiamo di leggere le presenti istruzioni per l'uso! Qui sono presenti tutte le note inerenti ad un uso sicuro dell'apparecchio e ad una sua lunga durata.

### Sull'uso delle presenti istruzioni per l'uso

Tutte le figure necessarie si trovano alla prima pagina delle presenti istruzioni per l'uso. Durante la descrizione verranno fatti dei rimandi alle rispettive figure d'interesse.

### Prima di cominciare...

Utilizzo conforme alla destinazione d'uso

L'apparecchio corrisponde allo stato dell'arte della scienza e della tecnica, nonché alle prescrizioni di sicurezza in vigore al momento della commercializzazione nell'ambito del suo utilizzo convenzionale.

L'apparecchio è destinato al riscaldamento in ambienti esterni coperti.

L'apparecchio non è stato progettato per uso a livello industriale.

Qualsiasi altro impiego è da considerarsi non conforme alla destinazione d'uso. L'impiego non conforme alla destinazione d'uso, le modifiche all'apparecchio o l'utilizzo di pezzi non collaudati né autorizzati dal costruttore possono causare danni imprevedibili.

Qualsiasi utilizzo differente da quello per lo scopo per cui l'apparecchio è stato progettato e realizzato e qualsivoglia attività sullo stesso non descritta nelle presenti istruzioni equivalgono ad uso improprio non consentito, al di fuori dei limiti legali di responsabilità del fabbricante.





## Per la vostra sicurezza

### Precauzioni generali

- I bambini tra i 3 e gli 8 anni possono accendere/spengere l'apparecchio a condizione che esso sia stato collocato o installato nella sua posizione definitiva, che siano sotto il controllo di una persona responsabile o che siano stati istruiti su come usare in modo sicuro l'apparecchio e che conoscano e capiscano tutti i pericoli legati all'utilizzo dell'apparecchio. I bambini tra i 3 e gli 8 anni non dovrebbero attaccare l'apparecchio alla presa di corrente, regolarlo o pulirlo, né dovrebbero farne la manutenzione che si richiede all'utilizzatore.
- Se le stufe per patio vengono installate sui rialzi, la stufa deve essere installata almeno 1,8 m dal suolo. (Si applica alle stufe per patio a parete e a sospensione).
- I bambini sotto i 3 anni non dovrebbero essere lasciati soli senza controllo vicino all'apparecchio.
- I bambini tra i 3 e gli 8 anni possono accendere/spengere l'apparecchio a condizione che esso sia stato collocato o installato nella sua posizione definitiva, che siano sotto il controllo di una persona responsabile o che siano stati istruiti su come usare in modo sicuro l'apparecchio e che conoscano e capiscano tutti i pericoli legati all'utilizzo dell'apparecchio. I bambini tra i 3 e gli 8 anni non dovrebbero attaccare l'apparecchio alla presa di corrente, regolarlo o pulirlo, né dovrebbero farne la manutenzione che si richiede all'utilizzatore.
- I bambini di età compresa tra i 3 e gli 8 anni possono azionare e spegnere il dispositivo solo se questo è stato collocato o installato nella posizione di funzionamento normale prevista e se, durante il funzionamento della stufa, i bambini sono sorvegliati o istruiti sull'uso sicuro del dispositivo e sono in grado di comprendere i pericoli che essa comporta.
- I bambini di età compresa tra i 3 anni e gli 8 anni non devono collegare, regolare o pulire il dispositivo né effettuare le operazioni di manutenzione previste per l'utente.
- Se il cavo di alimentazione è danneggiato, deve essere sostituito dal produttore, dal suo rappresentante di servizio o da una persona adeguatamente qualificata al fine di evitare pericoli.
- Non coprire mai il dispositivo con vestiti o altri oggetti facilmente infiammabili. Questo causerà il surriscaldamento del dispositivo e creerà un pericolo di incendio.
- La distanza tra le fessure di ventilazione e gli oggetti facilmente infiammabili deve essere di almeno 75 cm.
- È necessario prestare attenzione in caso di installazione del dispositivo nei pressi delle tende e altri materiali combustibili. È necessario mantenere una distanza di almeno 75 cm.





## Per la vostra sicurezza

### Precauzioni generali

- Per lavorare e gestire questo apparecchio in sicurezza è necessario che l'utilizzatore se ne serva per la prima volta dopo aver letto e ben compreso le presenti istruzioni per l'uso.
- Osservare tutte le precauzioni! Se non si osservano le indicazioni di sicurezza, si mettono in pericolo se stessi e gli altri.
- Conservare tutti i documenti con le istruzioni per l'uso e le precauzioni per il futuro.
- In caso di vendita o di cessione dell'apparecchio, è indispensabile consegnare insieme anche le presenti istruzioni per l'uso.
- L'apparecchio può essere utilizzato esclusivamente se si trova in perfette condizioni operative. Se il dispositivo o una parte di esso presenta un difetto bisogna subito spegnerlo e smaltirlo nel modo corretto.
- Non utilizzare mai l'apparecchio in ambienti a rischio d'esplosione o nelle vicinanze di liquidi o gas infiammabili!
- Assicurare sempre un apparecchio spento contro riaccensioni impreviste.
- Non usare apparecchi nei quali l'interruttore on/off non funziona correttamente.
- Tenga lontani i bambini dall'apparecchio! Conservi l'apparecchio al sicuro da bambini e persone non autorizzate.
- Non sovraccaricare l'apparecchio. Utilizzare l'apparecchio solo per gli scopi previsti.
- Lavorare sempre con prudenza e in perfette condizioni personali: stanchezza, malattie, uso di alcol, influenze di medicinali o droghe non permettono di avere un comportamento responsabile poiché non consentono di utilizzare l'apparecchio con sicurezza.
- Questo dispositivo non è concepito per essere utilizzato da persone (inclusi i bambini) con limitazioni fisiche, psichiche o sensoriali o prive di esperienza riguardo all'uso del dispositivo stesso e le stesse dovrebbero essere sorvegliate da una persona competente, la quale dovrebbe istruirli sull'uso corretto del dispositivo.
- Assicurarsi che i bambini non giochino con l'apparecchio.
- Osservare sempre le normative nazionali e internazionali in vigore e inerenti alla sicurezza, alla salute e al lavoro.

### Sicurezza elettrica

- Collegare gli apparecchi soltanto ad una presa di corrente con contatto di protezione correttamente installato.
- La protezione deve essere eseguita con un salvavita (interruttore di protezione) con una corrente di guasto nominale non superiore a 30 mA.
- Prima di collegare l'apparecchio alla rete elettrica, assicurarsi che l'allacciamento di rete coincida con i dati d'allacciamento.
- Gli apparecchi si devono usare soltanto nei limiti indicati per la tensione, la potenza e la velocità nominale (vedi targhetta identificativa).
- Non toccare la spina con le mani bagnate! La spina e sempre la spina, non tiri mai il cavo.
- Non piegare, schiacciare, trascinare o travolgere il cavo di rete; proteggerlo dai bordi taglienti, dall'olio e dal calore.
- Non sollevare mai l'apparecchio per il cavo; non utilizzare mai il cavo per altri scopi.
- Prima di ogni utilizzo controllare spina e cavo.
- Se il cavo di alimentazione è danneggiato staccare subito la spina dalla presa di corrente. Non utilizzare mai l'apparecchio con il cavo di rete danneggiato.
- Quando non si utilizza l'apparecchio, staccare sempre la spina.
- Prima di collegare la spina alla presa di corrente, accertarsi che l'apparecchio sia spento.
- Prima di staccare la spina dalla presa di corrente, spegnere sempre l'apparecchio.
- Disinserire la tensione di alimentazione dell'apparecchio durante il trasporto.

### Indicazioni specifiche sull'apparecchio

- L'apparecchio non deve essere utilizzato in ambienti interni.
- L'apparecchio non deve essere utilizzato in prossimità di piscine, stagni ecc.
- Non muovere l'apparecchio mentre è in funzione.
- Non inclinare l'apparecchio mentre è in funzione.



- Non introdurre mai oggetti nell'apparecchio attraverso le griglie di ventilazione. Pericolo di morte!
- La distanza tra le griglie di ventilazione e gli oggetti infiammabili deve essere di almeno 75 cm.
- L'apparecchio non va coperto. Pericolo di incendio.
- L'apparecchio deve essere disposto su una base orizzontale piana senza ostacoli tutt'intorno. Le distanze di sicurezza devono essere sempre rispettate.
- Non esporre mai l'apparecchio ad acqua o altri liquidi.
- Non utilizzare l'apparecchio con un timer né con qualsiasi altro interruttore che accenda l'apparecchio automaticamente, altrimenti si rischia di provocare un incendio.
- L'apparecchio non deve essere collocato direttamente sotto ad una presa a parete.

## Pulizia

- Spegner e far raffreddare completamente l'apparecchio.
- Togliere la spina d'alimentazione.
- Pulire l'apparecchio con un panno leggermente inumidito.
- Pulire gli elementi radianti e il riflettore con un pennello dalle setole lunghe e morbide.



## Smaltimento

Dispositivi contrassegnati da etichetta con simbolo a lato non devono essere smaltiti come rifiuti domestici. Rifiuti di apparecchiature elettriche ed elettroniche vanno smaltiti separatamente. Lo smaltimento separato avviene previa restituzione delle vecchie apparecchiature per il riciclaggio o per altre forme di riutilizzo. In tal modo è possibile evitare, in alcuni casi, la dispersione nell'ambiente di materiali nocivi.

Per le abitazioni private:

la marcatura RAEE messa sul prodotto e/o sulla sua documentazione indica che i rifiuti di apparecchiature elettriche ed elettroniche non devono essere mescolati con i rifiuti domestici generici. Al fine di un corretto trattamento, recupero e riciclaggio occorre portare questo prodotto o prodotti presso i punti di raccolta separata designati ai rifiuti urbani, dove sarà accettato gratuitamente.

Un corretto smaltimento di questo prodotto favorirà risparmio delle risorse preziose e consentirà di prevenire potenziali effetti negativi sulla salute umana e sull'ambiente che potrebbero altrimenti scaturire da una gestione inadeguata dei rifiuti. Per ulteriori informazioni sul punto di raccolta differenziata designato più vicino e dedicato ai rifiuti urbani, si prega di contattare l'amministrazione locale. Lo smaltimento non conforme alla normativa nazionale può comportare una sanzione.

Gli operatori, che esercitano attività economica nei Paesi dell'Unione Europea e vogliono smaltire rifiuti di apparecchiature elettriche ed elettroniche (RAEE), devono contattare il loro rivenditore o fornitore di dispositivi per avere ulteriori informazioni.

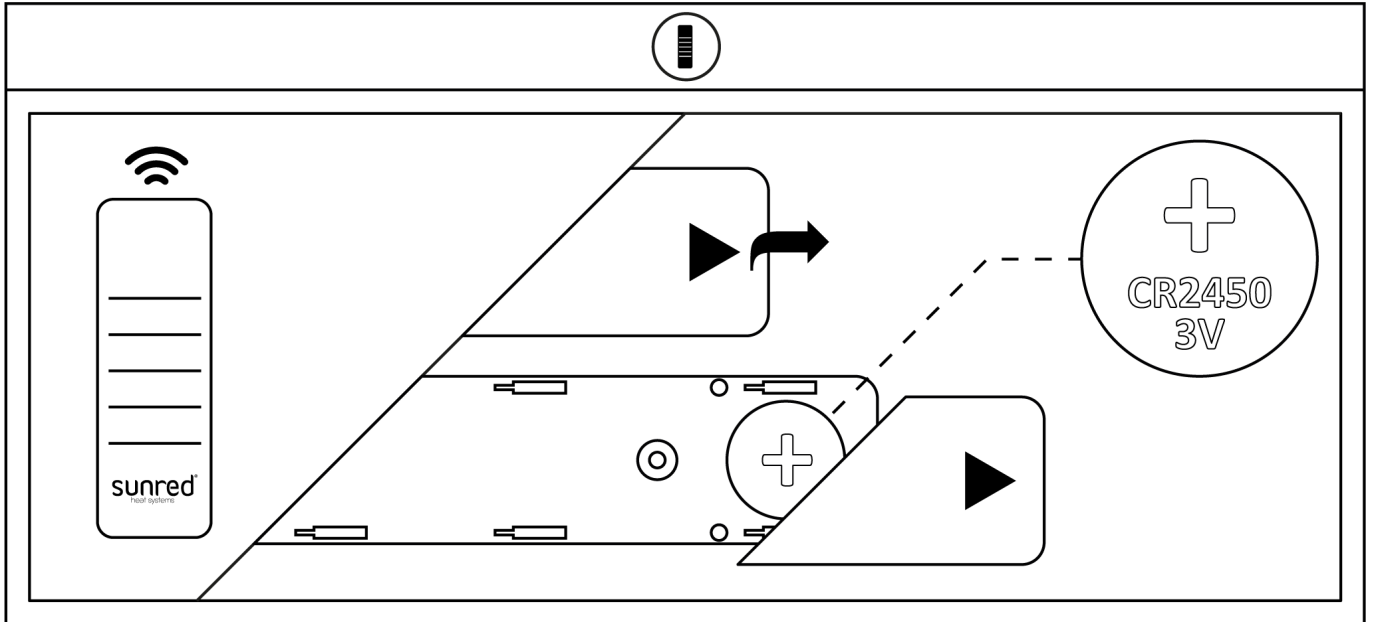
Per lo smaltimento in Paesi al di fuori dell'Unione Europea:

questo simbolo è valido solo nei Paesi dell'Unione Europea (UE). Se vuoi liberarsi da questo prodotto, devi contattare

## Smaltimento dell'imballaggio

L'imballaggio è composto da cartone e particolari in plastica adeguatamente contrassegnati per essere riciclati.

- Si raccomanda di inviare questi materiali al riciclaggio.



## El dispositivo funciona con pilas

### Allgemeine Sicherheitshinweise

- Las pilas deben ser instaladas y retiradas de acuerdo con el esquema arriba.
- Las pilas desechables no pueden ser recargadas.
- Las baterías recargables deben ser retiradas del dispositivo antes de recargarse.
- No mezclar varios tipos de pilas ni mezclar las pilas nuevas y usadas.
- Las pilas deben introducirse observándose su polaridad.
- Las pilas desgastadas deben retirarse del dispositivo y eliminarse de manera segura.
- Si el dispositivo va a ser almacenado sin utilizarse durante un tiempo prolongado, las pilas deben retirarse.
- Los bornes de la fuente de alimentación no deben estar cerrados.

**Advertencia:** Si el calentador se apaga con el mando a distancia, entra en el modo de espera. Si el calentador no se utiliza, siempre debe apagarse con el uso del interruptor y el enchufe debe retirarse de la red.



## GARANZIA



### 2 anni di garanzia limitata

Compilare il modulo e inviarlo via fax o e-mail ai numeri sotto riportati. Se il prodotto è difettoso, restituirlo al venditore insieme al documento di acquisto.

- Allegare la scansione/la copia del documento di vendita.
- Allegare foto/immagini e la descrizione del prodotto difettoso o danneggiato.

Cognome:

Indirizzo:

Indirizzo e-mail:

Postcode:

Modello:

Numero del modello:

Numero della serie:

collocato sulla targhetta che  
si trova sul retro del dispositi-  
vo

Data di acquisto:

Anno:

OutTrade B.V.  
Meeleweg 76  
7711 EP Nieuwleusen  
The Netherlands

Tel: +31-529—48 28 08  
Fax: +31-529—48 49 10

info@outtrade.eu  
www.outtrade.eu

Descrizione del difetto:





## FR Radiateur de terrasse

### Traduction de la notice originale

Chère cliente, cher client,

Merci de la confiance que vous nous témoignez !

Avant de procéder à la mise en service initiale du matériel, lisez impérativement ces instructions d'utilisation ! Vous allez y trouver toutes les remarques pour une utilisation sûre et une grande longévité de l'appareil. Respectez impérativement toutes les consignes de sécurité indiquées dans ce manuel !

### À propos de ces instructions d'utilisation

Toutes les illustrations nécessaires se trouvent aux premières pages de ces instructions d'utilisation. Au cours des descriptions, il sera fait référence aux illustrations correspondantes.

### Avant de commencer...

#### Utilisation conforme

L'appareil répond aux toutes dernières acquisitions de la technique ainsi qu'aux normes de sécurité en vigueur au moment de sa mise en service dans le cadre de son utilisation conforme.

L'appareil a été conçu comme appareil de chauffage sous abri extérieur.

L'appareil est conçu pour un travail domestique et non artisanal.

Toute autre utilisation est considérée comme non conforme. Un usage non conforme, des modifications de l'appareil ou l'utilisation de pièces non contrôlées et homologuées par le fabricant peuvent entraîner des dommages imprévisibles !

Toute utilisation non conforme à la destination de l'appareil ainsi que toutes les activités non décrites dans le mode d'emploi sont à considérer comme des utilisations incorrectes non couvertes par la garantie du fabricant.





## Pour votre sécurité

### Consignes générales de sécurité

- Les enfants âgés de 3 à 8 ans ne doivent allumer/éteindre l'appareil qu'à condition qu'il ait été placé ou installé dans sa position de fonctionnement normale prévue et qu'ils soient surveillés ou aient reçu des instructions concernant l'utilisation de l'appareil en toute sécurité et comprennent les dangers encourus. Les enfants âgés de 3 à 8 ans ne doivent pas brancher, régler ni nettoyer l'appareil ni effectuer l'entretien dont l'utilisateur est chargé.
- Lors de l'installation de chauffages de terrasse à un niveau élevé, le chauffage doit être installé à au moins 1,8 m au-dessus du sol. (Pour les chauffages de terrasse muraux et suspendus)
- Les enfants de moins de 3 ans doivent être tenus à l'écart à moins d'être surveillés en permanence.
- Les enfants âgés de 3 à 8 ans ne doivent allumer/éteindre l'appareil qu'à condition qu'il ait été placé ou installé dans sa position de fonctionnement normale prévue et qu'ils soient surveillés ou aient reçu des instructions concernant l'utilisation de l'appareil en toute sécurité et comprennent les dangers encourus. Les enfants âgés de 3 à 8 ans ne doivent pas brancher, régler ni nettoyer l'appareil ni effectuer l'entretien dont l'utilisateur est chargé.
- Les enfants âgés de 3 à 8 ans ne doivent allumer/éteindre l'appareil qu'à condition qu'il ait été placé ou installé dans sa position de fonctionnement normale prévue et qu'ils soient surveillés ou aient reçu des instructions concernant l'utilisation de l'appareil en toute sécurité et comprennent les dangers encourus.
- Les enfants âgés de 3 à 8 ans ne doivent pas brancher, régler ni nettoyer l'appareil ni effectuer l'entretien dont l'utilisateur est chargé.
- Si le cordon d'alimentation est endommagé, il doit être remplacé par le fabricant, son agent de service ou une personne qualifiée similaire afin d'éviter tout danger.
- Ne couvrez jamais l'appareil avec des vêtements ou des objets inflammables. Cela entraînera une surchauffe de l'appareil, ce qui pourrait entraîner un risque d'incendie.
- L'espace entre les fentes d'aération et les objets inflammables doit être d'au moins 75 cm.





## Pour votre sécurité

### Consignes générales de sécurité

- Pour garantir une utilisation sûre de cet appareil, l'utilisateur doit avoir lu et compris le pré-sent mode d'emploi avant la première mise en service de l'appareil.
- Veuillez observer toutes les consignes de sécurité ! La non-observation des consignes de sécurité vous met en danger, vous et votre entourage.
- Conservez soigneusement le mode d'emploi et les consignes de sécurité pour les consulter en cas de besoin.
- Si vous vendez ou donnez l'appareil à un tiers, remettez-lui toujours le manuel d'utilisation correspondant.
- L'appareil peut uniquement être utilisé lorsqu'il est en parfait état. Si l'appareil ou une partie de l'appareil est défectueuse, l'appareil doit être mis hors service et être éliminé de manière adéquate.
- Ne faites pas fonctionner l'appareil dans un local à risque d'explosion, ni à proximité de liquides ou gaz inflammables !
- Sécurisez toujours l'appareil à l'arrêt contre toute remise en marche intempestive.
- N'utilisez aucun appareil dont le commutateur marche-arrêt ne fonctionne pas correctement.
- Ne laissez pas les enfants s'approcher de l'appareil ! Ne laissez pas l'appareil à proximité d'enfants ou de personnes non autorisées à s'en servir.
- Ne surchargez pas l'appareil. N'utilisez l'appareil que pour les travaux pour lesquels il a été conçu.
- Soyez toujours prudent lors du maniement de l'appareil et veillez à ne l'utiliser que lorsque votre état vous le permet : travailler par fatigue, maladie, sous la consommation d'alcool, l'influence de drogues et de médicaments sont des comportements irresponsables étant donné que vous ne pouvez plus utiliser l'appareil avec sécurité.
- L'utilisation de cet appareil n'est pas prévue par des personnes (y compris des enfants) avec des aptitudes physiques, sensorielles ou mentales limitées ou des déficits dans l'expérience et/ou les connaissances, sauf si elles sont surveillées par une personne responsable de leur sécurité ou si elles ont reçues des instructions de ces personnes stipulant de quelle manière l'appareil doit être utilisé.
- Assurez-vous que les enfants ne jouent pas avec l'appareil.
- Respectez systématiquement les règles de sécurité, d'hygiène et de travail en vigueur à l'échelle nationale et internationale.
- 

### Sécurité électrique

- L'appareil ne doit être raccordé qu'à une prise présentant une mise à la terre réglementaire.
- La protection doit être assurée par un disjoncteur différentiel présentant un courant de fuite assigné de 30 mA maximum.
- Avant de brancher l'appareil, il doit être garanti que le branchement secteur correspond aux données de raccordement de l'appareil.
- L'appareil ne doit être utilisé que dans les limites des seuils définis en matière de tension, de puissance et de vitesse nominale (voir plaque signalétique).
- Ne pas toucher la fiche secteur avec les mains mouillées ! Enlever la fiche secteur par la prise et non pas en tirant sur le câble.
- Ne pliez pas, n'écrasez pas ou n'arrachez pas le câble secteur ; protégez-le des arêtes tranchantes, de l'huile et de la chaleur.
- Ne soulevez pas l'appareil par son câble et n'utilisez pas ce dernier à d'autres fins que celles auxquelles il est destiné.
- Contrôlez la prise et le câble avant chaque utilisation.
- En cas d'endommagement du câble secteur, débranchez immédiatement la fiche secteur. N'utilisez jamais l'appareil si le câble secteur est endommagé.
- Lorsque l'appareil n'est pas utilisé, il faut toujours que la fiche secteur soit débranchée.
- Avant de brancher la fiche secteur, vérifiez que l'appareil est hors tension.
- Avant de débrancher la fiche secteur, éteignez toujours l'appareil.
- Lorsque vous transportez l'appareil, veillez à ce qu'il soit hors tension.



## Consignes propres à l'appareil

- L'appareil ne peut être utilisé à l'intérieur.
- L'appareil ne doit jamais être utilisé à proximité des piscines, des jardins, etc.
- Ne pas bouger l'appareil durant son fonctionnement.
- Ne pas pencher l'appareil durant son fonctionnement.
- Ne jamais introduire d'objets dans l'appareil par le biais de la grille d'aération. Danger de mort !
- L'écart entre la grille d'aération et les objets inflammables doit comporter au minimum 75 cm.
- L'appareil ne doit pas être recouvert. Risque d'incendie.
- L'appareil doit être positionné, pourtour dégagé, sur une surface horizontale plane. Les distances de sécurité doivent toujours être respectées.
- Ne jamais exposer l'appareil à l'eau, ni à d'autres substances liquides.
- N'utilisez pas l'appareil avec un programmateur ou un autre interrupteur mettant l'appareil automatiquement en route en raison du risque d'incendie.
- L'appareil ne doit pas être installé directement sous une prise murale.
- Les symboles apposés sur votre appareil ne doivent être ni retirés ni recouverts. Si certaines informations apposées sur l'appareil deviennent illisibles, elles doivent être immédiatement remplacées.

## Nettoyage

### Risque de blessures !

Débranchez toujours la fiche secteur avant d'effectuer des travaux sur l'appareil.  
Danger !

- Arrêter l'appareil et laisser refroidir entièrement.
- Débranchez la fiche secteur.
- Nettoyez l'appareil à l'aide d'un chiffon légèrement humide.
- Pour nettoyer les éléments chauffants et le réflecteur, utiliser un pinceau avec des poils longs et souples.



### Mise au rebut de l'appareil

Les appareils portant l'étiquette avec le symbole à côté ne peuvent pas être éliminés dans les déchets ménagers. Ces déchets d'équipements électriques et électroniques doivent être éliminés séparément. L'élimination séparée signifie le retour d'anciens équipements pour recyclage ou pour d'autres formes de réutilisation. Ainsi, dans certains cas, il est possible d'éviter que des matériaux nocifs ne pénètrent dans l'environnement.

Pour les ménages privés :

le symbole DEEE sur le(s) produit(s) et/ou les documents qui l'accompagnent signifie que les équipements électriques et électroniques usagés (DEEE) ne doivent pas être mélangés aux déchets ménagers généraux. Afin d'assurer un traitement, une récupération et un recyclage appropriés, ce ou ces produits doivent être remis gratuitement aux points désignés de collecte sélective.

L'élimination correcte de ce produit permettra d'économiser des ressources précieuses et de prévenir tout effet négatif potentiel sur la santé humaine et l'environnement, qui pourrait résulter d'une manipulation inappropriée des déchets. Veuillez contacter votre autorité locale pour obtenir plus de détails sur le point de collecte désigné le plus proche. En cas d'élimination incorrecte de ces déchets, des pénalités peuvent être appliquées conformément à la législation nationale.

Pour les utilisateurs professionnels de l'Union européenne : si vous souhaitez mettre au rebut des équipements électriques et électroniques (EEE), veuillez contacter votre revendeur ou votre fournisseur pour plus d'informations.

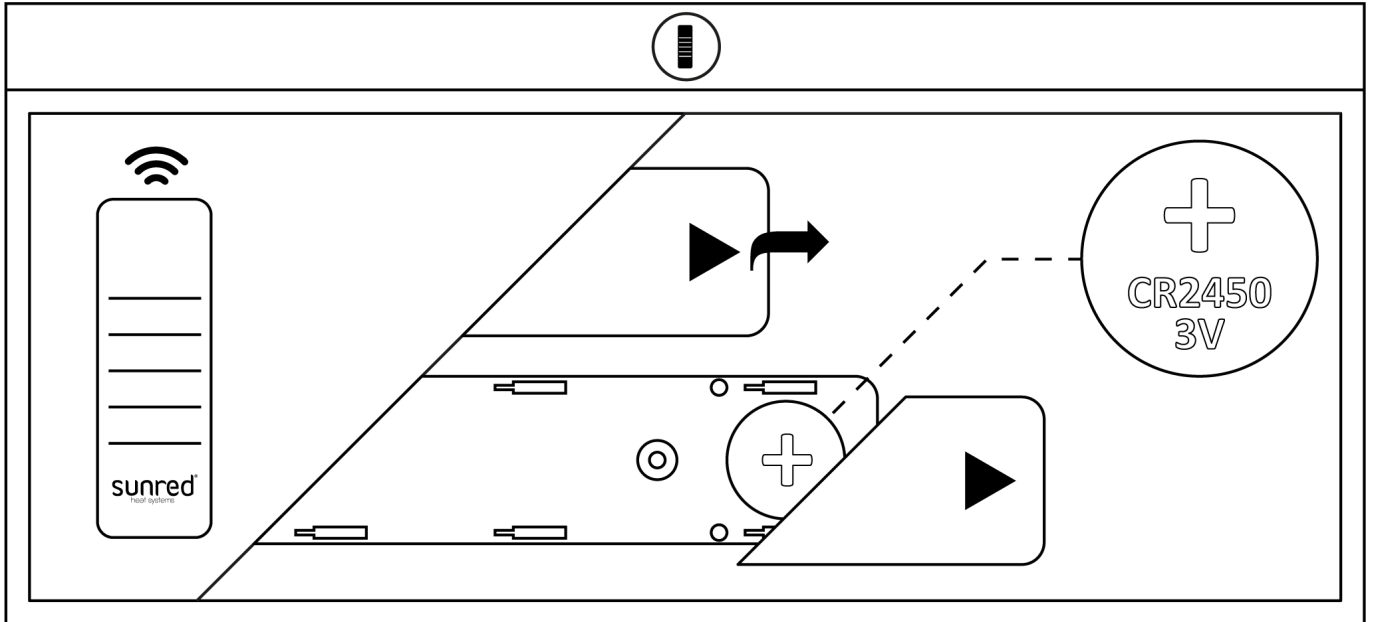


Pour une mise au rebut dans les pays hors de l'Union européenne " :  
ce symbole ne s'applique qu'aux pays de l'Union européenne (UE). Si vous souhaitez mettre ce produit au rebut, veuillez contacter  
les autorités locales ou votre revendeur et demander la méthode d'élimination correcte.

**Mise au rebut de l'emballage**

L'emballage se compose de carton et de matières plastiques marquées en conséquence qui peuvent être recyclés.

– Eliminez ces matériaux en les conduisant au recyclage.



## El dispositivo funciona con pilas

### Consignes générales de sécurité

- Retirez ou insérez les piles en suivant l'image ci-dessus.
- Les piles non rechargeables ne doivent pas être rechargées.
- Les piles rechargeables doivent être retirées de l'appareil avant d'être chargées.
- Différents types de piles, de même que des batteries neuves et usagées ne doivent pas être mélangées.
- Les piles doivent être insérées avec la polarité correcte.
- Les piles épuisées doivent être retirées de l'appareil et éliminées en toute sécurité,
- Si l'appareil doit être stocké sans être utilisé pendant une longue période, les piles doivent être retirées ;
- Les bornes d'alimentation ne doivent pas être court-circuitées.

**Avertissement :** Si l'appareil de chauffage est éteint à l'aide de la télécommande, l'appareil de chauffage passera en mode « veille ». Lorsque l'appareil de chauffage n'est pas utilisé, éteignez-le toujours à l'aide de l'interrupteur marche/arrêt et débranchez la fiche de la prise.



## BON DE GARANTIE



### Garantie limitée de 2 ans

Veuillez remplir ce formulaire et l'envoyer par fax ou par e-mail aux numéros indiqués ci-dessous. Si le produit s'avère défectueux, retournez-le au vendeur avec le justificatif d'achat.

- Joignez une copie numérisée ou une photocopie du justificatif d'achat.
- Joignez des photos ou images et une description du produit défectueux ou endommagé.

Votre nom:

Adresse:

Adresse e-mail:

Code postal:

Numéro du modèle :

Numéro de série:

Numéro de batch:

(indiqué sur la plaque signalétique au dos de l'appareil )

Date d'achat :

Date:

Année:

OutTrade B.V.  
Meeleweg 76  
7711 EP Nieuwleusen  
The Netherlands

Tel: +31-529—48 28 08

Fax: +31-529—48 49 10

info@outtrade.eu

www.outtrade.eu

Veuillez fournir une description du défaut:



## ES Traducción del manual de uso original

Estimado Cliente:

Gracias por su confianza.

Antes del arranque, por favor, lea el presente manual de uso. Aquí encontrará indicaciones de uso seguro, que ayudarán a mantener el aparato en buen estado durante mucho tiempo. Es obligatorio observar todas las indicaciones del manual.

Informaciones referentes al uso del presente manual.

Todas las ilustraciones necesarias se encuentran en las primeras páginas del presente manual. En las descripciones se hace referencia a las ilustraciones pertinentes.

### Antes de usar...

#### Uso conforme a la función.

El dispositivo está conforme al estado actual del conocimiento y la técnica y a las disposiciones vigentes de seguridad laboral en la fecha de su edición, en el ámbito de los usos conformes a la función del dispositivo.

El dispositivo desempeña la función de radiador en lugares cubiertos con techo al aire libre.

El dispositivo no es apto para el uso profesional ni industrial.

Cada aplicación distinta no está conforme a la función del dispositivo. Un uso no conforme a la función, la modificación del dispositivo o el uso de piezas de recambio que no están controladas y aprobadas por el fabricante puede resultar en daños inesperados.

Cada uso no conforme a la función del dispositivo o cualquier manipulación no descrita en el presente manual constituyen un uso no permitido fuera del ámbito de responsabilidad del fabricante.







## Por su seguridad

### Principios generales de seguridad

- Los niños entre 3 y 8 años pueden encender/apagar el dispositivo siempre y cuando se coloque o instale en su posición definitiva y los niños estén bajo la supervisión de una persona responsable o estén formados en materia del uso seguro del dispositivo así como conozcan y entiendan todos los riesgos relacionados con el uso del dispositivo. Los niños de 3 a 8 años no deberán activar la corriente del dispositivo, ajustar ni limpiar el dispositivo ni tampoco realizar tareas de mantenimiento requeridas del usuario.
- En caso de los calentadores de terraza sobre plataforma, el calentador debe ser instalado al menos a 1.8 m sobre el suelo. (Se refiere a los calentadores de terraza de pared y colgantes).
- Los menores de 3 años no pueden permanecer alrededor de la máquina sin supervisión.
- Los niños entre 3 y 8 años pueden encender/apagar el dispositivo siempre y cuando se coloque o instale en su posición definitiva y los niños estén bajo la supervisión de una persona responsable o estén formados en materia del uso seguro del dispositivo así como conozcan y entiendan todos los riesgos relacionados con el uso del dispositivo. Los niños de 3 a 8 años no deberán activar la corriente del dispositivo, ajustar ni limpiar el dispositivo ni tampoco realizar tareas de mantenimiento requeridas del usuario.
- Los niños de 3 a 8 años pueden encender/apagar el dispositivo bajo la condición de que esté colocado o instalado en su posición de trabajo habitual y prevista. Durante la operación, los niños deben ser vigilados o deben recibir instrucciones previas en lo relativo a la operación segura del dispositivo y deben ser capaces de comprender los riesgos relacionados.
- Los niños de 3 a 8 años no deben conectar, ajustar, limpiar ni realizar los trabajos de conservación del dispositivo previstos para realizarse por el usuario.
- En caso de un daño en el cable de alimentación, para evitar el peligro hay que llamar al fabricante, su representante de servicio o una persona debidamente cualificada.
- Nunca cubra el dispositivo con ropa ni otros objetos inflamables. Lo dicho puede producir el sobrecalentamiento del dispositivo y provocar un incendio.
- La distancia mínima entre las lamas de ventilación y los objetos inflamables debe ser de 75 cm.
- Hay que tener cuidado en el caso de instalar el dispositivo en la proximidad de cortinas y otros materiales inflamables. Hay que mantener una distancia mínima de 75 cm.



## Por su seguridad

### Principios generales de seguridad

- Para garantizar un uso seguro del dispositivo, el usuario debe leer y comprender el manual antes del primer uso del dispositivo.
- Observar todas las indicaciones de seguridad laboral. Quien no observa las indicaciones de seguridad laboral, crea un peligro para sí y para los demás.
- Almacenar todos los manuales y las indicaciones de seguridad para su uso futuro.
- En caso de la venta o de entregar el dispositivo a un tercero, es obligatorio entregar también el presente manual.
- El dispositivo se puede usar sólo si está en un estado técnico impecable. Si el dispositivo o su parte está dañada, hay que apagarlo y eliminarlo de forma profesional.
- ¡No usar en lugares con peligro de explosión ni cerca de líquidos o gases inflamables!
- El dispositivo apagado siempre debe protegerse contra una activación accidental.
- No usar el dispositivo con el interruptor dañado.
- ¡Mantener fuera del alcance de los niños! Proteger el dispositivo contra los niños y las personas no autorizadas.
- No sobrecargar el dispositivo. Usar el dispositivo solamente de acuerdo con su función.
- El trabajo con el dispositivo está permitido sólo a personas que se encuentran en un buen estado de salud y manteniendo el debido cuidado. Las personas cansadas, enfermas o bajo el efecto del alcohol, los medicamentos o la droga no son responsables y no son capaces de usar el dispositivo.
- El dispositivo no puede ser usado por las personas (incluso los niños) que se encuentren en un estado físico sensorial o mental limitado o por las personas que carezcan de experiencia y/o conocimiento, a no ser que sean supervisadas por personas responsables y hayan recibido instrucciones en cuanto al uso del dispositivo.
- No permitir que los niños usen el dispositivo como un juguete.
- Siempre hay que observar las disposiciones legales vigentes, tanto nacionales como internacionales, en lo relativo al SSL.

### Seguridad eléctrica

- El dispositivo se puede conectar sólo a un enchufe con la toma de tierra instalada correctamente.
- La protección debe realizarse con el uso de un interruptor diferencial de corriente máxima de 30 mA.
- Antes de conectar el dispositivo, hay que asegurarse de que el acople a la red está conforme a los datos de acople del dispositivo.
- El dispositivo se puede usar sólo dentro del alcance de tensión, potencia y velocidad de rotación nominal indicadas (cf. placa de características).
- ¡No tocar el enchufe con las manos mojadas! Desconectar el cable de red tirando por el enchufe y no el cable.
- El cable de conexión no se puede doblar, aplastar ni pisar; proteger contra los bordes agudos, el aceite y el calor.
- El dispositivo no se puede levantar por el cable. El cable no se puede usar con los objetivos no conformes a su función.
- Antes de cada uso, controlar el enchufe y el cable.
- En caso de un daño en el cable de red, sacar inmediatamente el enchufe de la red. No usar el dispositivo con el cable de red dañado.
- Si el dispositivo no está en uso, el enchufe siempre debe sacarse.
- Antes de conectar el enchufe, asegurarse de que el dispositivo está apagado.
- Antes de sacar el enchufe, siempre desconectar el dispositivo.
- Durante el transporte, desconectar el dispositivo de la red.

### Indicaciones específicas para el dispositivo

- No usar el dispositivo en locales cerrados.
- El dispositivo no se puede explotar cerca de piscinas, estanques, etc.
- No mover el dispositivo durante el trabajo.
- No inclinar el dispositivo durante el trabajo.
- Nunca introducir ningunos objetos a través de la malla de ventilación. ¡Peligro de muerte!
- La distancia entre la malla de ventilación y los objetos inflamables debe ser de un mínimo de 75 cm.



- No se puede cubrir el dispositivo. Existe un riesgo de incendio.
- El dispositivo debe colocarse sobre un suelo liso y llano. Dejar un espacio libre alrededor del dispositivo. Siempre observar la distancia de seguridad.
- Nunca permitir que el dispositivo tenga contacto con el agua ni otros líquidos.
- El dispositivo no puede trabajar junto con un temporizador u otro interruptor que provoque una activación automática debido al peligro de incendio.
- El dispositivo no se puede colocar directamente por debajo de un enchufe en la pared.

Se prohíbe sacar o tapar los símbolos que se encuentran en el dispositivo. Las placas informativas ilegibles que se encuentran en el dispositivo se deben recambiar inmediatamente.

### Limpieza

- Apagar el dispositivo y dejar enfriarse totalmente.
- Sacar el enchufe de la red.
- Limpiar el dispositivo con un paño ligeramente mojado.
- Para limpiar los calentadores y la lámpara usar una brocha larga y suave.



### Eliminación del dispositivo

Los aparatos señalados con la etiqueta que presenta el símbolo al lado no pueden ser eliminados junto con los residuos provenientes de hogares particulares. Este tipo de residuos de aparatos eléctricos y electrónicos debe ser eliminado de forma separada. La eliminación separada de dichos residuos consiste en enviarlos al reciclaje u otra forma de su reutilización. De esta forma, en algunos casos es posible evitar la penetración de sustancias perjudiciales en el medio ambiente.

En el caso del hogar particular:

el símbolo WEEE colocado en un producto y/o en su documentación significa que el residuo de aparato eléctrico y electrónico no puede ser mezclado con los residuos procedentes de hogares particulares. Para garantizar un tratamiento, una reutilización y un reciclaje adecuados, este producto debe ser devuelto de forma gratuita a uno de los puntos de recogida selectiva de residuos urbanos.

La correcta eliminación de este producto ayudará a ahorrar valiosos recursos y evitar todas las potenciales consecuencias perjudiciales para la salud humana y el medio ambiente que puedan ser provocadas por un uso incorrecto de los residuos. Para obtener más información sobre el punto más cercano de recogida selectiva de residuos urbanos, contacte con el órgano competente de su gobierno local. Una eliminación de residuos no conforme con la ley nacional puede dar lugar a la imposición de sanciones. Los usuarios que desarrollen actividad empresarial propia en el territorio de la Unión Europea y deseen eliminar los residuos de aparatos eléctricos y electrónicos (RAEE) deben contactar con el vendedor o el proveedor de los aparatos para obtener más información.

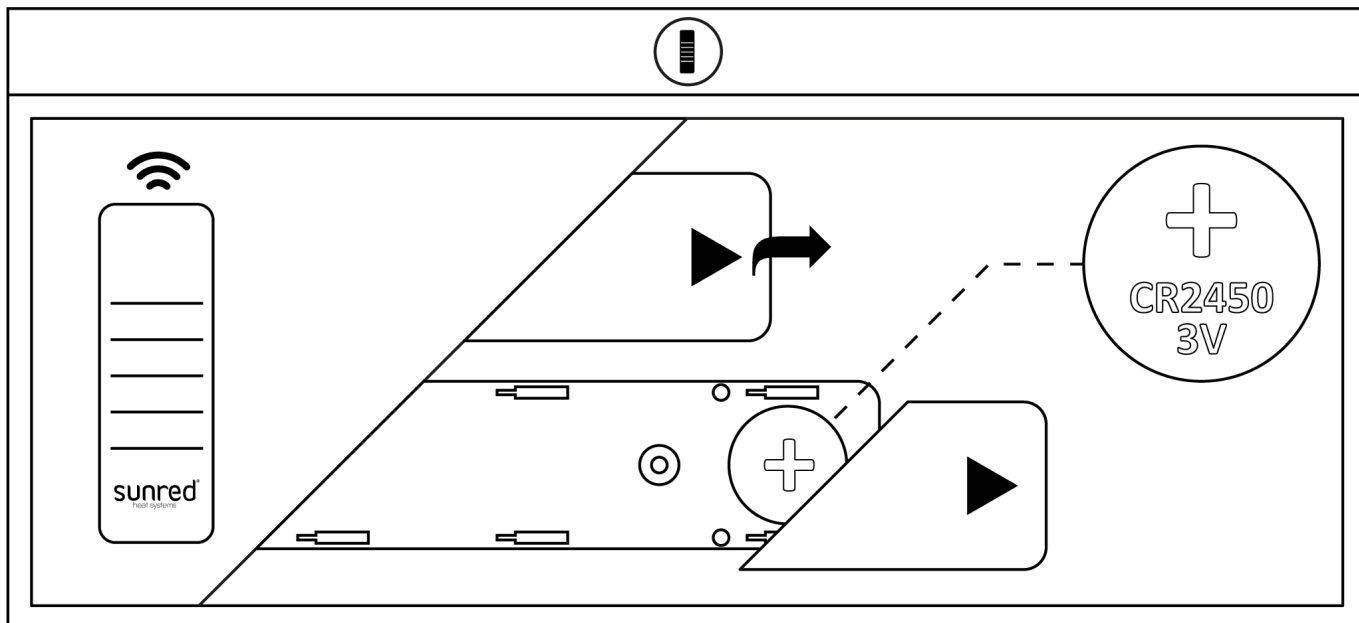
En el caso de eliminar los residuos fuera de la Unión Europea:

este símbolo tiene validez sólo en los Países miembros de la Unión Europea (UE). Si desea deshacerse de este producto, contacte con su gobierno local o con el vendedor y pregunte sobre el método más adecuado de su utilización.

### Eliminación del embalaje

El embalaje consiste en una caja de papel y de plásticos debidamente señalados, que se puede volver a usar.

- Entregar los materiales al segundo uso.



## Zařízení je napájeno z baterie

### Všeobecné bezpečnostní zásady

- Baterie vkládejte a vyjímejte podle výše uvedeného schématu.
- Je zakázáno znovu nabíjet jednorázové baterie.
- Akumulátory ze zařízení před nabíjením vyjměte.
- Nekombinujte různé typy baterií a ani nové a používané baterie.
- Při vkládání baterií dodržujte jejich správnou polaritu.
- Vybité baterie ze zařízení vyjměte a bezpečně zlikvidujte.
- Má-li být zařízení po delší dobu nepoužíváno, baterie vyjměte.
- Napájecí svorky nesmějí být sevřené.

**Upozornění:** Bude-li ohřívač vypnutý pomocí ovladače, přejde do pohotovostního režimu. Není-li ohřívač používán, vždy ho vypněte pomocí spínače/vypínače a vyjměte zástrčku ze zásuvky.



## TARJETA DE GARANTÍA



### 2 años de garantía limitada

Cumplimente el presente formulario y mándeselo vía fax o correo electrónico a los números que siguen. Si el producto es defectuoso, se ruega devolverlo al vendedor,

- Adjuntar el escaneo/copia del justificante de venta.
- Adjuntar fotografía/imagen del producto defectuoso o dañado.

Apellido:

Dirección:

Correo electrónico:

Código postal:

Número de modelo:

Número de serie:

Batch:

visible en la placa de características situada detrás del aparato

Fecha de compra:

Año:

OutTrade B.V.  
Meeleweg 76  
7711 EP Nieuwleusen  
The Netherlands

Tel: +31-529—48 28 08  
Fax: +31-529—48 49 10

info@outtrade.eu  
www.outtrade.eu

Descripción del defecto:



## CZ Terasový ohřívač

### Překlad původního návodu k používání

Vážená zákaznice, vážený zákazníku,

děkujeme mnohokrát za projevenou důvěru!

Před prvním uvedením přístroje do provozu si bezpodmínečně přečtete tento návod na obsluhu! Naleznete v něm všechny pokyny pro bezpečné používání a dlouhou životnost přístroje. Bezpodmínečně dodržujte všechny bezpečnostní pokyny, uvedené v tomto návodu!

### Dříve než začnete...

Použití přiměřené určení

Přístroj odpovídá stavu vědy a techniky i platným bezpečnostním ustanovením v době uvádění do provozu v rámci jeho použití přiměřenému určení.

Přístroj je určen jako ohřívač do zastřešených vnějších prostorů.

Přístroj není koncipován pro profesionální použití.

Každé jiné použití je v rozporu se stanoveným účelem. Použitím, které je v rozporu s určením, změnami na přístroji nebo použitím dílů, které nebyly přezkoušeny a schváleny výrobcem, mohou vzniknout nepředvídatelné škody!

Každé nepřiměřené použití popř. všechny v tomto návodu k použití nepopsané činnosti na přístroji jsou nedovoleným zneužitím mimo zákonné hranice ručení výrobce.





## CZ Pro Vaši bezpečnost

### Všeobecné bezpečnostní pokyny

- Děti ve věku od 3 do 8 let mohou zařízení zapínat/vypínat pouze pod podmínkou, že bylo umístěno nebo nainstalováno ve své konečné poloze a že jsou pod dozorem odpovědné osoby nebo že byly poučeny o bezpečném užívání zařízení, a že znají všechny hrozby související s používáním zařízení a rozumějí jim. Děti ve věku od 3 do 8 let nesmějí zařízení zapínat do proudu, seřizovat ani ho čistit, ani nesmějí provádět údržbu požadovanou od uživatele.
- Při montáži terasových ohřívačů ve výškách musí být ohřívač nainstalován minimálně 1,8 m nad podlahou. (Týká se to nástěnných a závěsných terasových ohřívačů).
- Děti mladší 3 let se nesmějí zdržovat v blízkosti zařízení bez dozoru.
- Děti ve věku od 3 do 8 let mohou zařízení zapínat/vypínat pouze pod podmínkou, že bylo umístěno nebo nainstalováno ve své konečné poloze a že jsou pod dozorem odpovědné osoby nebo že byly poučeny o bezpečném užívání zařízení, a že znají všechny hrozby související s používáním zařízení a rozumějí jim. Děti ve věku od 3 do 8 let nesmějí zařízení zapínat do proudu, seřizovat ani ho čistit, ani nesmějí provádět údržbu požadovanou od uživatele.
- Děti od 3 do 8 let mohou zařízení zapínat/vypínat pouze pod podmínkou, že bylo umístěno nebo nainstalováno v doporučené normální pracovní poloze a že jsou během používání pod dohledem nebo že obdržely pokyny týkající se bezpečného používání zařízení a rozumí nebezpečí s používáním souvisejícímu.
- Děti od 3 do 8 let nesmějí zařízení připojovat, nastavovat ani čistit ani vykonávat jeho údržbu, kterou by měl vykonávat uživatel.
- Je-li napájecí kabel poškozený, musí být kvůli bezpečnosti vyměněn výrobcem, jeho servisním zástupcem nebo příslušně kvalifikovanou osobou.
- Nikdy nepokládejte na zařízení oblečení ani žádné jiné hořlavé předměty, protože by to mohlo způsobit přehřátí zařízení a vznik požáru.
- Vzdálenost mezi ventilačními otvory a hořlavými předměty musí činit minimálně 75 cm.



## CZ Pro Vaši bezpečnost

### Všeobecné bezpečnostní pokyny

- Pro bezpečné zacházení s tímto přístrojem si jeho uživatel musí před prvním použitím přečíst tento návod k použití a porozumět mu.
- Respektujte všechny bezpečnostní pokyny! Pokud nebudete dbát bezpečnostních pokynů, ohrožujete sebe i ostatní.
- Všechny návody k použití a bezpečnostní pokyny si dobře uložte pro pozdější použití.
- Když přístroj prodáváte nebo předáváte dál, bezpodmínečně předejte i tento návod k použití.
- Přístroj se smí používat pouze tehdy, pokud je bez závady. Jsou-li na přístroji nebo na některé jeho součásti závady, musí být vyřazen z provozu a odborně zlikvidován.
- Přístroj nepoužívejte v prostorech ohrožených výbuchem nebo v blízkosti hořlavých kapalin nebo plynů!
- Vypnutý přístroj vždy zajistěte proti neúmyslnému zapnutí.
- Nepoužívejte nářadí, u něhož spínač Zap/Vyp řádně nefunguje.
- Zabraňte dětem v přístupu k přístroji! Uložte přístroj tak, aby byl bezpečně chráněn před dětmi a nepovolanými osobami.
- Nepřetěžujte přístroj. Používejte přístroj pouze pro účely, pro které byl určen.
- Pracujte vždy opatrně a v dobré fyzické kondici: Pracovat během únavy, onemocnění, požití alkoholu, pod vlivem léků a omamných látek je nezodpovědné, protože přístroj nemůžete bezpečně používat.
- Nepoužívejte topné těleso s časovým spínačem nebo s jiným spínačem, který automaticky spíná přístroj, hrozilo by nebezpečí požáru.
- Zabezpečte, aby si děti nehrály s výrobkem.
- Dodržujte vždy platné národní a mezinárodní bezpečnostní, zdravotní a pracovní předpisy.

### Elektrická bezpečnost

- Přístroj se smí připojit pouze na zásuvku s řádně instalovaným ochranným kontaktem.
- Zajištění přístroje se musí provést pomocí proudového chrániče (spínač FI) s dimenzovaným chybným proudem nepřesahujícím 30 mA.
- Před připojením přístroje se musí zabezpečit, aby síťová přípojka odpovídala hodnotám pro připojení přístroje.
- Přístroj se smí používat pouze v rámci uvedených limitů napětí, výkonu a otáček (viz typový štítek).
- Nedotýkejte se síťové zástrčky mokřkýma rukama! Síťovou zástrčku vytahuje vždy za konektor, ne za kabel.
- Síťový kabel nepřehýbat, nepřiskřípnout, netahat nebo nepřejíždět, chránit před ostrými hranami, olejem a horkem.
- Přístroj nezdvíhejte za kabel a kabel nepoužívejte na žádné jiné účely.
- Před každým použitím zkontrolujte zástrčku a kabel.
- Při poškození síťového kabelu okamžitě vytáhněte síťovou zástrčku. Nikdy nepoužívejte přístroj s poškozeným síťovým kabelem.
- Pokud se přístroj nepoužívá, musí být síťová zástrčka vždy vytažená.
- Před zasunutím síťové zástrčky zajistěte, aby byl přístroj vypnutý.
- Před vytažením síťové zástrčky přístroj vždy vypněte.
- Pro přepravu uveďte přístroj do stavu bez proudu.

### Upozornění specifická pro přístroj

Přístroj se nesmí používat ve vnitřních prostorách.

Přístroj se nesmí používat v blízkosti bazénů, zahradních jezírek apod.

Zapnutý ohřívač nepřemísťovat.

Zapnutý ohřívač nenaklánět.

Nikdy nedávat žádné předměty do větracích mřížek přístroje. Nebezpečí ohrožení života!

Vzdálenost mezi větracími mřížkami a hořlavými předměty musí být minimálně 75 cm.

Přístroj se nesmí zakrývat. Hrozí nebezpečí požáru.

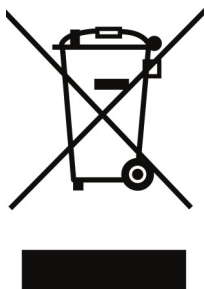




- Příklad musí mít kolem sebe volný prostor a stát na rovném podkladu. Vždy se musejí dodržovat bezpečnostní odstupy.
- Příklad se nikdy nesmí vystavit účinkům vody nebo jiných kapalin.
- Příklad nezapínáte pomocí časového spínače nebo jiným spínačem, který přístroj automa-ticky zapne, v opačném případě hrozí nebezpečí požáru.
- Ohříváč se nesmí postavit přímo pod nástěnnou zásuvku.
- Symboly, které se nacházejí na vašem přístroji, se nesmějí odstraňovat ani zakrývat. Nečitelné pokyny na přístroji se musejí okamžitě vyměnit.

## Čištění

- Příklad vypněte a nechte úplně vychladnout.
- Vytáhněte zástrčku ze sítě.
- Příklad utřete jemně navlhčeným hadříkem.
- K čištění topných tyčí a reflektorů používejte pouze štětec s dlouhými a měkkými štětinami.



## Likvidace

Zařízení označená etiketou s vedle zobrazeným symbolem nesmějí být likvidována spolu s domovním odpadem. Odpadní elektrická a elektronická zařízení je třeba likvidovat samostatně. Samostatná likvidace znamená předání starého zařízení k recyklaci nebo k jiným formám opětovného použití. Tímto způsobem lze v některých případech zabránit vniknutí škodlivých látek do životního prostředí.

V případě domácností:

symbol OEEZ (odpadní elektrická a elektronická zařízení) uvedený na produktu a/nebo v jeho dokumentaci znamená, že odpadní elektrické a elektronické zařízení nemá být likvidováno s domovním odpadem. Za účelem řádného zpracování, obnovy a recyklace je třeba tento produkt nebo tyto produkty bezplatně předat na určená místa pro tříděný domovní odpad.

Správná likvidace tohoto produktu pomůže ušetřit cenné zdroje a zabránit potenciálním negativním dopadům na lidské zdraví a životní prostředí, které by mohly být způsobeny nesprávným nakládáním s odpady. Pro získání dalších informací o nejbližším určeném místě pro tříděný domovní odpad kontaktujte místní samosprávný orgán. Za likvidaci odpadu v rozporu s národními předpisy mohou být uloženy sankce.

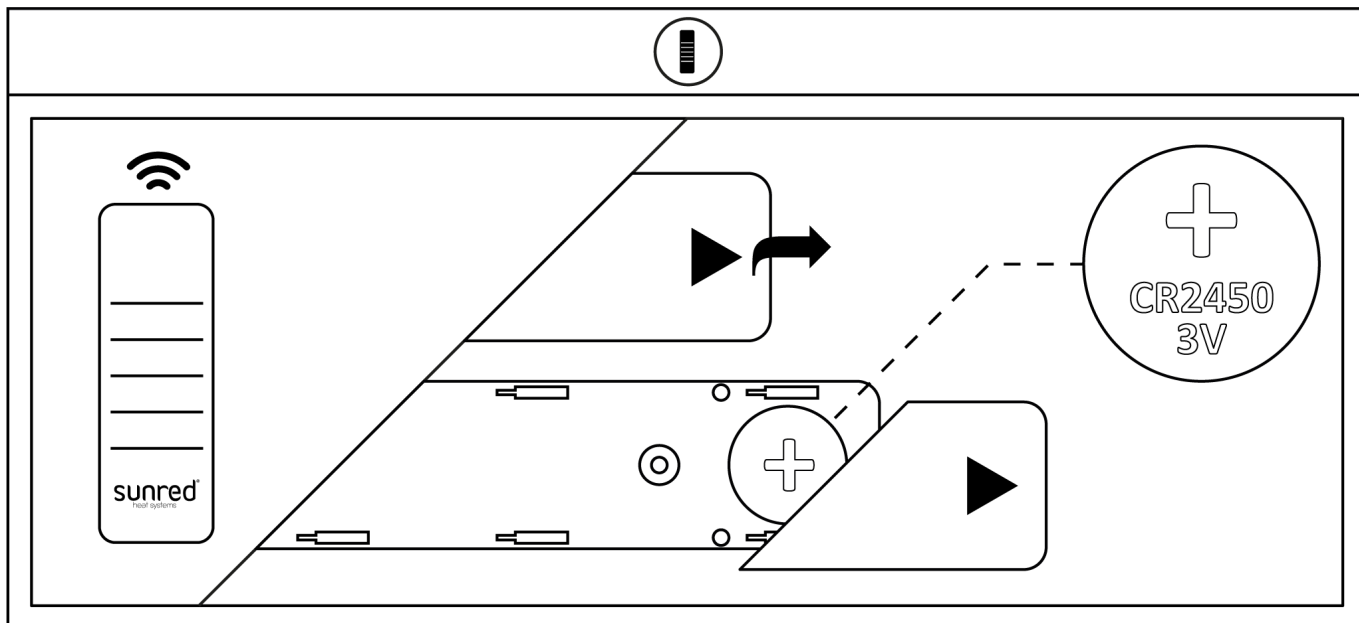
Uživatelé podnikající na území Evropské unie, kteří se chtějí zbavit odpadních elektrických a elektronických zařízení (OEEZ), budou pro získání dalších informací kontaktovat prodejce nebo dodavatele zařízení.

Při likvidaci v zemích mimo Evropskou unii: tento symbol platí pouze v zemích Evropské unie (EU). Chcete-li tento produkt vyhodit, kontaktujte místní orgány samosprávy nebo prodejce a požádejte o jeho řádnou likvidaci.

## Likvidace balení

Balení se skládá z kartonu a příslušně označených plastů, které mohou být recyklovány.

- Předajte tyto části na recyklaci.



## Zariadenie je napájané z batérie

### Consignes générales de sécurité

- Batérie vkladajte a vynímajte podľa vyššie uvedenej schémy.
- Je zakázané znovu nabíjať jednorazové batérie.
- Akumulátory zo zariadenia pred nabíjaním vyťahnite.
- Nekombinujte rôzne typy batérií a ani nové a používané batérie.
- Pri vkladaní batérií dodržiavajte ich správnu polaritu.
- Vybité batérie zo zariadenia vyťahnite a bezpečne zlikvidujte.
- Ak má byť zariadenie po dlhší čas nepoužívané, batérie vyťahnite.
- Napájacie svorky nesmú byť zovreté.

**Upozornenie:** Ak bude ohrievač vypnutý pomocou ovládača, prejde do pohotovostného režimu. Ak ohrievač nie je používaný, vždy ho vypnite pomocou spínača/vypínača a vyťahnite zástrčku zo zásuvky.



## ZÁRUČNÍ LIST



### 2 roky omezené záruky

Vyplňte laskavě tento formulář a pošlete ho faxem nebo e-mailem na níže uvedená čísla. Je-li produkt závadný, vraťte ho prodejci spolu s nákupním dokladem.

- Přiložte laskavě sken/kopii nákupního dokladu.
- Přiložte laskavě fotografie/obrázky a popis závadného nebo poškozeného produktu.

Vaše příjmení:

Adresa:

E-mailová adresa:

PSČ:

Modelu:

Číslo série

Batch:

umístěno na typovém  
štítku na zadní straně  
zařízení

Datum nákupu:

Rok:

OutTrade B.V.  
Meeleweg 76  
7711 EP Nieuwleusen  
The Netherlands

Tel: +31-529—48 28 08  
Fax: +31-529—48 49 10

info@outtrade.eu  
www.outtrade.eu

Popište laskavě závadu:



## SK Terasový ohrievač

### Preklad pôvodného návodu na použitie

Vážená zákazníčka, vážený zákazník,  
ďakujeme za prejavenu dôveru!

Pred prvým uvedením do prevádzky si bezpodmienečne prečítajte tento návod na použitie! Nájdete v ňom všetky pokyny pre bezpečné použitie a dlhú životnosť prístroja. Bezpodmienečne dodržiavajte všetky bezpečnostné pokyny v tomto návode!

### Informácie o zaobchádzaní s týmto návodom na použitie

Všetky potrebné obrázky nájdete na prvej strane tohto návodu na použitie. V rámci popisov sa nachádzajú aj odkazy pre vás na príslušné obrázky.

## Než začnete...

Použitie pre daný účel

Zariadenie zodpovedá stavu súčasnej vedy a techniky, ako aj bezpečnostným ustanoveniam platným v momente jeho uvedenia do prevádzky v rámci použitia na daný účel.

Prístroj je určený ako ohrievač do zastrešených vonkajších priestorov.

Zariadenie nie je koncipované pre profesionálne použitie.

Každé iné použitie je v rozpore s určením. Pri použití v rozpore s určením, pri zmenách na zariadení alebo použitím dielov, ktoré neboli odskúšané alebo povolené výrobcom, môžu vzniknúť nepredvídané škody!

Každé použitie na iný než daný účel resp. všetky činnosti vykonané na zariadení, ktoré neboli popísané v tomto návode na použitie, sa považujú za nepovolené a nevhodné použitie mimo záručný rozsah výrobcu.





## Pre vašu bezpečnosť

### Všeobecné bezpečnostné pokyny

- Deti vo veku od 3 do 8 rokov môžu zariadenie zapínať/vypínať iba pod podmienkou, že bolo umiestnené alebo nainštalované v svojej konečnej polohe a že sú pod dozorom zodpovednej osoby alebo že boli poučené o bezpečnom používaní zariadenia, a že poznajú všetky hrozby súvisiace s používaním zariadenia a rozumejú im. Deti vo veku od 3 do 8 rokov nesmú zariadenie zapínať do prúdu, nastavovať ani ho čistiť, ani nesmú vykonávať údržbu požadovanú od používateľa.
- Ko je terasni grelnik montiran na določeni višini, mora biti nameščen najmanj 1,8 m nad tlemi. (Velja za stenske in viseče terasne grelnike).
- Otroci, mlajši od 3 let, ne smejo biti brez nadzora v bližini naprave.
- Otroci med 3. in 8. letom starosti lahko prižgejo/ izklopijo napravo, če je bila nameščena v predvidenem končnem položaju in če so otroci pod nadzorom odgovorne osebe ali so bili usposobljeni za varno uporabo naprave ter poznajo in razumejo vsa tveganja, povezana z uporabo naprave. Otroci, stari od 3 do 8 let, ne smejo priključevati naprave, izvajati nastavitve ali čistiti naprave in ne smejo izvajati vzdrževanja, predvidenega za uporabnika.
- Otroci, stari od 3 do 8 let, lahko vkladajo / izkladajo napravo le, če je bila postavljena ali nameščena v predvidenem, običajnem delovnem položaju, pri uporabi grelnika pa so otroci pod nadzorom ali so prejeli navodila o varni uporabi naprave in lahko razumejo s tem povezana tveganja.
- Otroci, stari od 3 do 8 let, naprave ne smejo vključiti, prilagajati in čistiti ali izvajati vzdrževanja, predvidenega za uporabnika.
- Če je napajalni kabel poškodovan, ga mora zamenjati proizvajalec, njegov servisni zastopnik ali ustrezno usposobljena oseba, da se izognete nevarnosti.
- Naprave nikoli ne prekrivajte z oblačili ali drugimi vnetljivimi predmeti. To bo povzročilo pregrevanje naprave, kar lahko povzroči požar.
- Razdalja med prezračevalnimi režami in vnetljivimi predmeti mora biti najmanj 75 cm.
- Pri nameščanju naprave v bližini zaves ali drugih vnetljivih materialov je potrebna previdnost. Potrebna je razdalja najmanj 75 cm.



## Pre vašu bezpečnosť

### Všeobecné bezpečnostné pokyny

- Aby bolo zaistené bezpečné zaobchádzanie s týmto zariadením, je nutné, aby si jeho užívateľ pred prvým použitím prečítal tento návod na obsluhu a porozumel mu.
- Dbajte všetkých bezpečnostných pokynov! Ak nerešpektujete bezpečnostné pokyny, ohrozujete sami seba a druhých.
- Všetky návody na použitie a bezpečnostné pokyny uchovajte pre ďalšie použitie.
- V prípade ďalšieho predaja alebo darovania tohto zariadenia spolu s ním odovzdajte vždy aj tento návod.
- Prístroj sa smie používať len vtedy, keď je v bezchybnom stave. Ak je zariadenie alebo jeho časť chybná, musí sa vyradiť z prevádzky a odborne zlikvidovať.
- Prístroj nepoužívajte v priestoroch ohrozených výbuchom alebo v blízkosti horľavých kvapalín či plynov!
- Vypnutý prístroj vždy zabezpečte proti neúmyselnému zapnutiu.
- Nepoužívajte náradie, u ktorého zapínač/vypínač riadne nefunguje.
- Udržiavajte deti v dostatočnej vzdialenosti od prístroja! Uschovajte prístroj pred deťmi a nekompetentnými osobami na bezpečnom mieste.
- Nepreťažujte zariadenie. Zariadenie používajte iba na účely, pre ktoré bolo vyrobené.
- Vždy pracujte opatrne a v dobrom fyzickom stave: pracovať počas únavy, choroby, požívania alkoholu, pod vplyvom liekov a drog je nezodpovedné, pretože prístroj nemôžete bezpečne používať.
- Toto zariadenie nie je určené na to, aby ho používali osoby (vrátane detí) s obmedzenými fyzic-kými, zmyslovými alebo duševnými schopnosťami alebo nedostatkom skúseností a/alebo vedomostí, iba ak sú pod dozorom osoby zodpovednej za ich bezpečnosť alebo boli touto oso-bou poučené o tom, ako toto zariadenie používať.
- Zabezpečte, aby sa deti nehrali s výrobkom.
- Vždy dodržiavajte platné národné a medzinárodné bezpečnostné, zdravotné a pracovné pred-pisy.

### Elektrická bezpečnosť

- Prístroj sa smie zapojiť len do zásuvky s riadne nainštalovaným ochranným kontaktom.
- Zaistenie prístroja sa musí uskutočniť pomocou prúdového chrániča (spínač FI) s dimenzo-vaným chybným prúdom nie viac ako 30 mA.
- Pred zapojením prístroja musí byť zabezpečené, že sieťová prípojka zodpovedá prípojným údajom prístroja.
- Prístroj sa smie používať iba v rámci uvedených limitov napätia, výkonu a menovitých otáčok (pozri štítok typu).
- Sieťovú zástrčku nechytajte vlhkými rukami! Sieťovú zástrčku ťahajte vždy za zástrčku, nie za kábel.
- Sieťový kábel neohýbajte, neprivierajte, nemykajte ním, ani po ňom neprechádzajte; chráňte pred ostrými hranami, olejom a vysokými teplotami.
- Prístroj nedvíhajte uchopením za kábel alebo kábel nepoužívajte iným spôsobom.
- Pred každým použitím skontrolujte zástrčku a kábel.
- Pri poškodení sieťového kábla ihneď vyťahnite sieťovú zástrčku. Nikdy nepoužívajte prístroj s poškodeným sieťovým káblom.
- Ak sa prístroj nepoužíva, musí byť sieťová zástrčka stále vytiahnutá.
- Pred zasunutím sieťovej zástrčky zabezpečte, aby bol prístroj vypnutý.
- Pred vytiahnutím sieťovej zástrčky prístroj vždy vypnite.
- Prístroj pri preprave odpojte od prúdu.

### Špecifické pokyny k prístroju

- Prístroj sa nesmie prevádzkovať vo vnútorných priestoroch.
- Prístroj sa nesmie používať v blízkosti bazénov, záhradných jazierok a podobne.
- Zapnutý ohrievač nepremiestňovať.
- Zapnutý ohrievač nenakláňať.



- Nikdy nedávať žiadne predmety do vetracích mriežok prístroja. Nebezpečenstvo ohrozenia života!
- Vzdialenosť medzi vetracími mriežkami a horľavými predmetmi musí byť minimálne 75 cm.
- Prístroj sa nesmie zakrývať. Hrozí nebezpečenstvo požiaru.
- Prístroj musí mať okolo seba voľný priestor a musí stáť na rovnom podklade. Vždy musí byť dodržaný bezpečnostný odstup.
- Prístroj nikdy nevystavujte pôsobeniu vody alebo iných kvapalín.
- Ohrievač nespúšťajte časovým spínačom alebo nejakým iným spínačom, ktorý prístroj auto-maticky zapne, pretože hrozí nebezpečenstvo požiaru.
- Ohrievač sa nesmie postaviť priamo pod elektrickú zásuvku.
- Symboly, ktoré sa nachádzajú na prístroji, sa nesmú odstraňovať ani zakrývať. Pokyny na prístroji, ktoré už nie sú čitateľné, sa musia ihneď vymeniť.

## Čistenie

- Prístroj vypnite a nechajte úplne vychladnúť.
- Vytiahnite sieťovú zástrčku.
- Prístroj utrite jemne navlhčenou handrou.
- Na čistenie vyhrievacích tyčí a reflektorov používajte iba štetec s dlhými a mäkkými štetinami

## Likvidácia

Zariadenia označené etiketou s vedľa zobrazeným symbolom nesmú byť likvidované spolu s domovým odpadom. Odpad z elektrických a elektronických zariadení treba likvidovať samostatne. Samostatná likvidácia znamená odovzdanie starého zariadenia na recykláciu alebo na iné formy opätovného použitia. Týmto spôsobom možno v niektorých prípadoch zabrániť vniknutiu škodlivých látok do životného prostredia.



V prípade domácností:

symbol OEEZ (odpad z elektrických a elektronických zariadení) uvedený na produkte a/alebo v jeho dokumentácii znamená, že odpad z elektrických a elektronických zariadení nemá byť likvidovaný s domovým odpadom. Na účely riadneho spracovania, obnovy a recyklácie treba tento produkt alebo tieto produkty bezplatne odovzdať na určené miesta pre triedený domový odpad.

Správna likvidácia tohto produktu pomôže ušetriť cenné zdroje a zabrániť potenciálnym negatívnym dopadom na ľudské zdravie a životné prostredie, ktoré by mohli byť spôsobené nesprávnym nakladaním s odpadom.

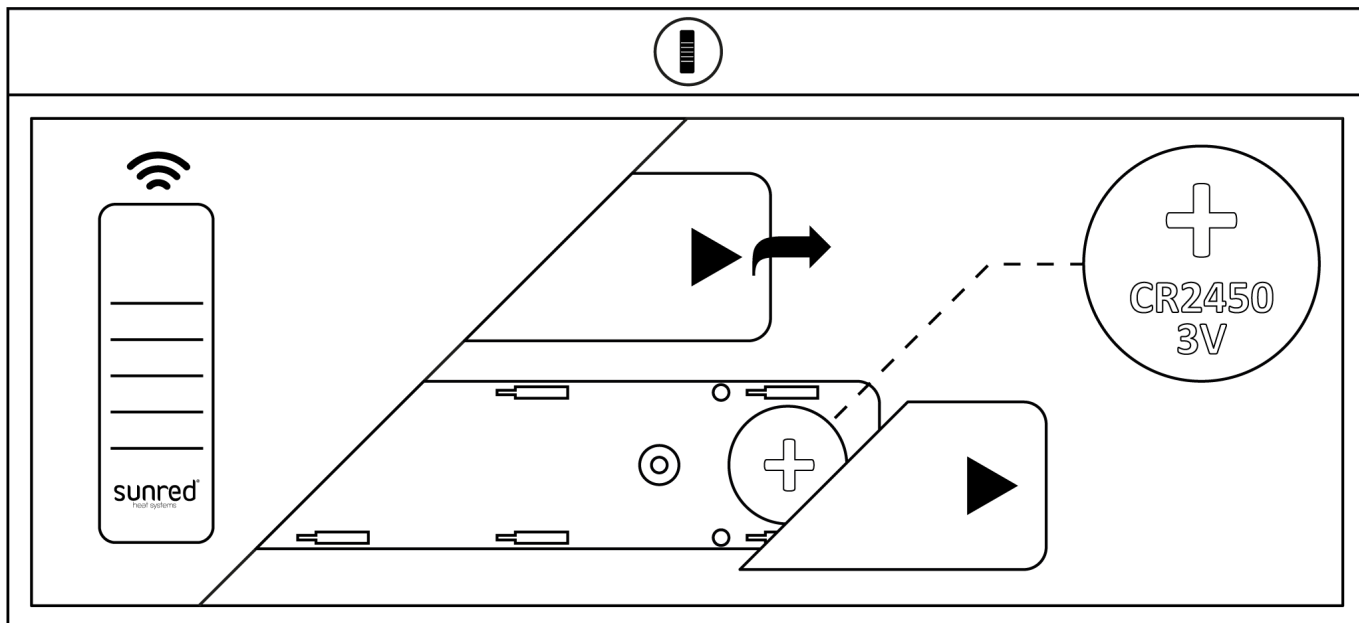
Pre získanie ďalších informácií o najbližšom určenom mieste pre triedený domový odpad kontaktujte miestny samosprávny orgán. Za likvidáciu odpadu v rozpore s národnými predpismi môžu byť uložené sankcie.

Používatelia podnikajúci na území Európskej únie, ktorí sa chcú zbaviť odpadu z elektrických a elektronických zariadení (OEEZ), budú pre získanie ďalších informácií kontaktovať predajcu alebo dodávateľa zariadenia.

Pri likvidácii v krajinách mimo Európsku úniu: tento symbol platí iba v krajinách Európskej únie (EÚ). Ak chcete tento produkt vyhodiť, kontaktujte miestne orgány samosprávy alebo predajcu a požiadajte o jeho riadnu likvidáciu

## Likvidácia obalu

Obal sa skladá z kartónu a príslušným spôsobom označených plastov, ktoré sa dajú recyklovať.



## Naprava na baterije

### Splošna varnostna pravila

- Namestite in odstranite baterije, kot je prikazano na zgornjem diagramu.
- Baterij za enkratno uporabo ne smete ponovno polniti.
- Baterije morate pred polnjenjem odstraniti iz naprave.
- Ne mešajte različnih vrst baterij ali novih in rabljenih baterij.
- Baterije je treba vstaviti ob upoštevanju pravilne polarnosti.
- Izpraznjene baterije je treba odstraniti iz naprave in varno odstraniti.
- Če želite napravo dlje časa neuporabljeno shranjevati, odstranite baterije.
- Napajalne sponke ne smejo biti v kratkem stiku.

**OPOZORILO:** Če grelnik izklopite z daljinskim upravljalnikom, bo preklopil v stanje pripravljenosti. Kadar grelnika ne uporabljate, vedno izključite grelnik s stikalom za vklop / izklop in odstranite vtič iz vtičnice.





## ZÁRUČNÝ LIST



### 2 roky obmedzenej záruky

Vyplňte láskavo tento formulár a pošlite ho faxom alebo e-mailom na nižšie uvedené čísla. Pokiaľ je produkt chybný, vráťte ho predajcovi spolu s nákupným dokladom

- Priložte láskavo naskenovaný nákupný doklad alebo jeho kópiu.
- Priložte láskavo fotografie/obrázky a opis chybného alebo poškodeného produktu.

Vaše priezvisko:

Adresa:

E-mailová adresa:

PSČ:

Modelu:

Číslo série

Batch:

umiestnené na typovom štítku na zadnej strane zariadenia)

Dátum nákupu:

Rok:

OutTrade B.V.  
Meeleweg 76  
7711 EP Nieuwleusen  
The Netherlands

Tel: +31-529—48 28 08  
Fax: +31-529—48 49 10

info@outtrade.eu  
www.outtrade.eu

Opíšte láskavo chybu:



## PL Tarasowy promiennik ciepła

Tłumaczenie instrukcji oryginalnej

Szanowni Klienci,

Cieszymy się, że obdarzyli nas Państwo swoim zaufaniem!

Przed pierwszym uruchomieniem prosimy koniecznie przeczytać niniejszą instrukcję użytkowania! Podano w niej wskazówki dotyczące bezpiecznego użytkowania i zapewniające długi czas eksploatacji urządzenia. Należy bezwzględnie przestrzegać wszelkich wskazówek bezpieczeństwa zawartych w niniejszej instrukcji!

### Informacje dotyczące korzystania z niniejszej instrukcji obsługi

Wszystkie niezbędne ilustracje znajdują się na pierwszych stronach niniejszej instrukcji. W opisach do odpowiednich ilustracji prowadzą odsyłacze.

## Przed rozpoczęciem...

### Użycie zgodne z przeznaczeniem

**Urządzenie odpowiada aktualnemu stanowi nauki i techniki oraz obowiązującym przepisom bezpieczeństwa pracy w chwili ukazania się na rynku w ramach zastosowania zgodnego z przeznaczeniem.**

Urządzenie jest przeznaczone do użytku jako grzejnik w zadaszonych miejscach na zewnątrz.

Urządzenie nie nadaje się do zastosowania zawodowego lub przemysłowego.

Każde inne zastosowanie jest niezgodne z przeznaczeniem. Zastosowanie niezgodne z przeznaczeniem, wprowadzanie zmian w urządzeniu lub stosowanie części, które nie są sprawdzone i dopuszczone przez producenta, może być przyczyną nieprzewidywalnych uszkodzeń!

Każde użycie niezgodne z przeznaczeniem lub wszystkie nieopisane w niniejszej instrukcji obsługi czynności przy urządzeniu stanowią użycie niedozwolone poza ustawowymi granicami odpowiedzialności producenta.





## Dla Państwa bezpieczeństwa

### Ogólne wskazówki bezpieczeństwa

- Dzieci w wieku między 3 a 8 lat mogą włączać/wyłączać urządzenie pod warunkiem, że zostało ono umieszczone lub zainstalowane w swojej docelowej pozycji oraz, że dzieci są pod nadzorem osoby odpowiedzialnej lub zostały przeszkolone w zakresie bezpiecznego użytkowania urządzenia, oraz że znają i rozumieją wszystkie zagrożenia związane z użytkowaniem urządzenia. Dzieci w wieku między 3 a 8 lat nie powinny włączać urządzenia do prądu, regulować ani czyścić go ani nie powinny przeprowadzać konserwacji wymaganej od użytkownika.
- W przypadku montażu grzejników tarasowych na podwyższeniach, grzejnik musi być zainstalowany co najmniej 1,8 m nad podłogą. (Dotyczy przyściennych i wiszących grzejników tarasowych).
- Dzieci w wieku poniżej 3 lat nie powinny być pozostawiane w pobliżu urządzenia bez nadzoru.
- Dzieci w wieku między 3 a 8 lat mogą włączać/wyłączać urządzenie pod warunkiem, że zostało ono umieszczone lub zainstalowane w swojej docelowej pozycji oraz, że dzieci są pod nadzorem osoby odpowiedzialnej lub zostały przeszkolone w zakresie bezpiecznego użytkowania urządzenia, oraz że znają i rozumieją wszystkie zagrożenia związane z użytkowaniem urządzenia. Dzieci w wieku między 3 a 8 lat nie powinny włączać urządzenia do prądu, regulować ani czyścić go ani nie powinny przeprowadzać konserwacji wymaganej od użytkownika.
- Dzieci w wieku od 3 lat do 8 lat mogą włączać/wyłączać urządzenie tylko pod warunkiem, że zostało ono umieszczone lub zainstalowane w przewidzianym, normalnym położeniu roboczym i podczas obsługiwanego grzejnika dzieci są nadzorowane lub otrzymały instrukcje dotyczące bezpiecznego korzystania z urządzenia oraz są one w stanie zrozumieć zagrożenia związane z tym zagrożeniem.
- Dzieci w wieku od 3 lat do 8 lat nie mogą podłączać, regulować i czyścić urządzenia ani wykonywać czynności konserwacyjnych przewidzianych do wykonania przez użytkownika.
- Jeśli przewód zasilający jest uszkodzony, to w celu uniknięcia zagrożenia, musi on zostać wymieniony przez producenta, jego przedstawiciela serwisowego lub przez odpowiednio wykwalifikowaną osobę.
- Nigdy nie przykrywaj urządzenia odzieżą ani żadnymi innymi łatwopalnymi przedmiotami. Spowoduje to przegrzanie urządzenia, co może prowadzić do powstania pożaru.
- Odległość pomiędzy szczelinami wentylacyjnymi a przedmiotami łatwopalnymi musi wynosić co najmniej 75 cm.
- Należy zachować ostrożność w przypadku instalacji urządzenia w pobliżu zasłon i innych materiałów palnych. Niezbędne jest zachowanie co najmniej 75 cm odstępu.





## Dla Państwa bezpieczeństwa

### Ogólne wskazówki bezpieczeństwa

- Aby zapewnić bezpieczną obsługę urządzenia, użytkownik musi przeczytać i zrozumieć instrukcję obsługi przed pierwszym użyciem urządzenia.
- Przestrzegać wszystkich wskazówek bezpieczeństwa pracy! Gdy nie przestrzega się wskazówek bezpieczeństwa, stwarza się zagrożenie dla siebie i innych.
- Przechowywać wszystkie instrukcje obsługi i wskazówki bezpieczeństwa do przyszłego wykorzystania.
- W przypadku sprzedaży lub przekazania urządzenia, należy również bezwzględnie przekazać niniejszą instrukcję obsługi.
- Urządzenia wolno używać tylko w nienagannym stanie technicznym. Jeśli urządzenie lub jego część jest uszkodzona, należy je wyłączyć i fachowo zutylizować.
- Nie używać urządzenia w pomieszczeniach zagrożonych wybuchem ani w pobliżu cieczy i gazów palnych!
- Wyłączone urządzenie zawsze zabezpieczyć przed niezamierzonym włączeniem.
- Nie używać urządzeń z uszkodzonym włącznikiem/wyłącznikiem.
- Nie dopuszczać dzieci do urządzenia! Chronić urządzenie przed dziećmi i osobami nieupoważnionymi.
- Nie przeciążać urządzenia. Urządzenia używać wyłącznie zgodnie z przeznaczeniem.
- Pracować zawsze, tylko będąc w dobrej kondycji i zachowując należyłą ostrożność. Osoby zmęczone, chore, będące pod wpływem alkoholu, leków lub środków odurzających są nieodpowiedzialne i nie są w stanie bezpiecznie używać urządzenia.
- Urządzenie nie jest przeznaczone do użytkowania przez osoby (także dzieci) znajdujące się w ograniczonym stanie fizycznym, sensorycznym lub umysłowym, bądź którym brakuje doświadczenia i/lub wiedzy, chyba że są pilnowane przez odpowiedzialne osoby i otrzymały od nich instrukcje na temat użytkowania urządzenia.
- Nie pozwól, aby dzieci korzystały z urządzenia dla zabawy. • Należy zawsze przestrzegać obowiązujących krajowych i międzynarodowych przepisów BHP.

### Bezpieczeństwo elektryczne

- Urządzenie wolno podłączać tylko do gniazda wtykowego z prawidłowo zainstalowanym stykiem ochronnym.
- Zabezpieczenie musi być zrealizowane za pomocą ochronnego wyłącznika różnicowego o obliczeniowym prądzie uszkodzeniowym nie większym niż 30 mA.
- Przed podłączeniem urządzenia należy upewnić się, że przyłącze sieciowe odpowiada danym przyłączeniowym urządzenia.
- Urządzenie wolno stosować tylko w podanym zakresie napięcia, mocy i nominalnej prędkości obrotowej (patrz tabliczka znamionowa).
- Nie dotykać wtyczki mokrymi dłońmi! Kabel sieciowy zawsze odłączać pociągając za wtyczkę a nie kabel.
- Nie wolno zginać, zgniatać lub przejeżdżać przez kabel sieciowy; chronić przed ostrymi krawędziami, olejem i gorącem.
- Urządzenia nie wolno podnosić za kabel ani używać kabli w celach niezgodnych z przeznaczeniem.
- Przed każdym użyciem sprawdzać wtyczkę i przewód.
- W razie uszkodzenia kabla sieciowego natychmiast wyjąć wtyczkę z gniazda. Nigdy nie używać urządzenia z uszkodzonym kablem sieciowym.
- Jeśli urządzenie nie jest używane, wtyczka musi być zawsze wyciągnięta z gniazdka.
- Przed włożeniem wtyczki do kontaktu upewnić się, że urządzenie jest wyłączone.
- Przed wyciągnięciem wtyczki z kontaktu zawsze wyłączać urządzenie.
- Na czas transportu odłączyć urządzenie od prądu.

### Wskazówki specyficzne dla urządzenia

- Nie wolno stosować urządzenia w pomieszczeniach zamkniętych.
- Urządzenia nie wolno eksploatować w pobliżu basenów kąpielowych, stawów ogrodowych itp.
- Nie poruszać urządzeniem podczas pracy.
- Nie przechylać urządzenia podczas pracy.
- Nigdy nie wkładać do urządzenia żadnych przedmiotów przez kratkę wentylacyjną. Zagrożenie życia!



- Odległość pomiędzy kratką wentylacyjną a przedmiotami palnymi powinna wynosić co naj-mniej 75 cm.
- Nie wolno przykrywać urządzenia. Istnieje niebezpieczeństwo pożaru.
- Urządzenie musi być ustawione na płaskim, poziomym podłożu. Dookoła urządzenia należy pozostawić wolną przestrzeń.
- Zawsze przestrzegać odległości bezpieczeństwa. Nigdy nie wystawiać urządzenia na działanie wody ani innych cieczy.
- Urządzenie nie może pracować z przełącznikiem czasowym ani innym przełącznikiem powodującym automatyczne włączenie z powodu niebezpieczeństwa pożaru.
- Urządzenia nie wolno ustawiać bezpośrednio pod gniazdkiem na ścianie.
- Zabrania się zdejmowania lub zakrywania symboli znajdujących się na urządzeniu. Nieczytelne tabliczki z informacjami na urządzeniu należy niezwłocznie wymienić.

## Czyszczenie

- Wyłączyć urządzenie i pozostawić do całkowitego wychłodzenia.
- Wyjąć wtyczkę z gniazdka.
- Wytrzeć urządzenie lekko zwilżoną ściereczką.
- Do czyszczenia grzałek i reflektora stosować pędzel z długim, miękkim włosiem.

## Utylizacja



Urządzenia opatrzone etykietą z symbolem obok nie mogą być utylizowane w odpadach gospodarstwa domowego. Tego typu zużyty sprzęt elektryczny i elektroniczny należy utylizować oddzielnie. Oddzielna utylizacja oznacza odesłanie starego sprzętu do recyklingu lub do innych form ponownego użycia. W ten sposób można uniknąć, w niektórych przypadkach, przedostania się szkodliwych materiałów do środowiska naturalnego.

W przypadku gospodarstw domowych:

symbol WEEE umieszczony na produkcie i/lub w jego dokumentacji oznacza, że zużyty sprzęt elektryczny i elektroniczny nie można mieszać z ogólnymi odpadami gospodarstwa domowego. W celu prawidłowego przetworzenia, odzysku i recyklingu należy bezpłatnie oddać ten produkt lub produkty do wyznaczonych punktów selektywnego zbierania odpadów komunalnych.

Prawidłowe pozbycie się tego produktu pomoże zaoszczędzić cenne zasoby i zapobiec wszelkim potencjalnym niekorzystnym skutkom dla zdrowia ludzkiego i środowiska, które mogłyby wynikać z niewłaściwego obchodzenia się z odpadami. Aby uzyskać więcej informacji na temat najbliższego wyznaczonego punktu selektywnego zbierania odpadów komunalnych, skontaktuj się z lokalną instytucją samorządową. Usunięcie odpadów niezgodne z przepisami krajowymi może spowodować nałożenie kary.

W przypadku użytkowników prowadzących działalność gospodarczą na obszarze Unii Europejskiej i chcących pozbyć się zużytego sprzętu elektrycznego i elektronicznego (WEEE), należy skontaktować się ze sprzedawcą lub dostawcą sprzętu w celu uzyskania dalszych informacji.

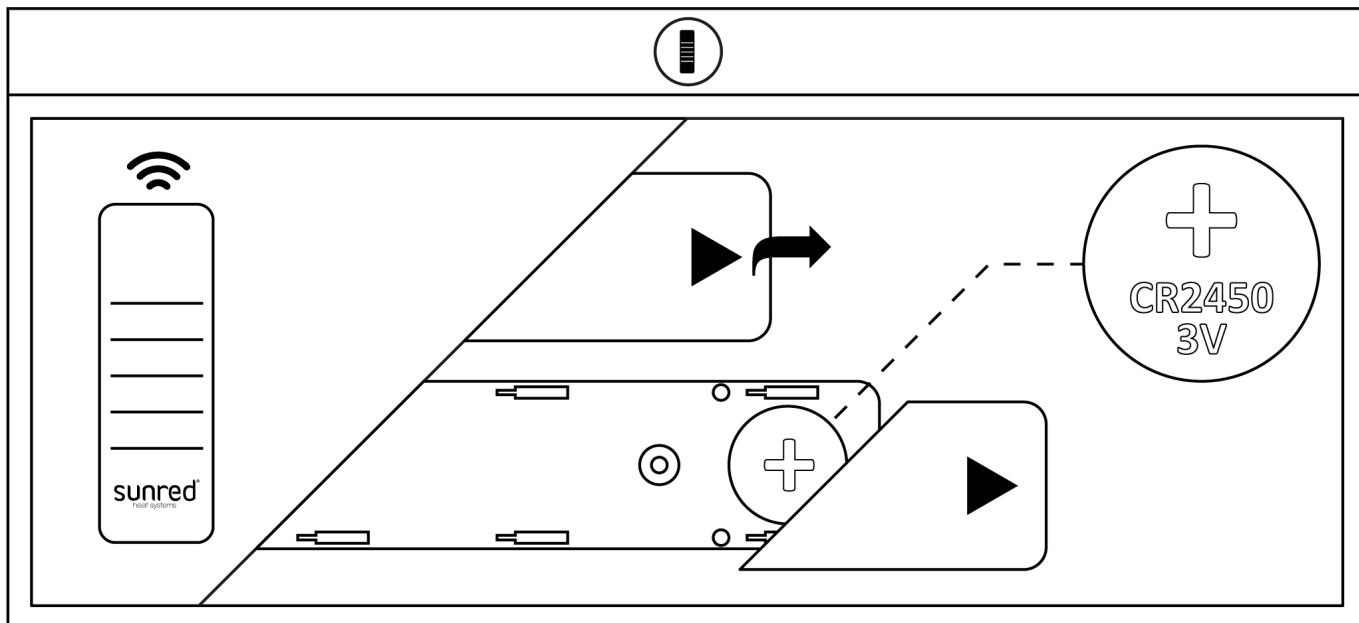
W przypadku utylizacji w krajach poza Unią Europejską:

symbol ten obowiązuje jedynie w krajach Unii Europejskiej (UE). Jeśli chcesz wyrzucić ten produkt, skontaktuj się z lokalnym samorządem lub sprzedawcą i poproś o prawidłową metodę utylizacji.

## Utylizacja opakowania

Opakowanie składa się z kartonu i odpowiednio oznakowanych tworzyw sztucznych, które można ponownie wykorzystać.

- Oddać te materiały do ponownego wykorzystania.



## Urządzenie zasilane bateryjnie

### Ogólne zasady zachowania bezpieczeństwa

- Baterie należy instalować i wyjmować zgodnie ze schematem przedstawionym powyżej.
- Baterii jednorazowych nie wolno ładować ponownie.
- Akumulatory należy wyjąć z urządzenia przed ładowaniem.
- Nie należy mieszać różnych typów baterii ani mieszać ze sobą baterii nowych i używanych.
- Baterie należy wkładać z zachowaniem prawidłowej biegunowości.
- Wyczerpane baterie należy wyjąć z urządzenia i bezpiecznie zutylizować.
- Jeśli urządzenie ma być przechowywane nieużywane przez dłuższy czas, należy wyjąć baterie.
- Zaciski zasilania nie mogą być zwarte.

Ostrzeżenie: Jeśli grzejnik zostanie wyłączony za pomocą pilota, wówczas przejdzie on w tryb 'gotowości'. Gdy grzejnik nie jest używany, wówczas należy zawsze wyłączać grzejnik za pomocą włącznika/wyłącznika i wyjąć wtyczkę z gniazdka.



## KARTA GWARANCYJNA



### 2 lata ograniczonej gwarancji

Proszę wypełnić niniejszy formularz i przesać go faxem lub e-mailem na numery podane poniżej. Jeśli produkt okaże się wadliwy, proszę go zwrócić do sprzedawcy, wraz z dowodem zakupu.

- Proszę dołączyć skan/kopię dowodu sprzedaży.
- Proszę załączyć zdjęcia/obrazy oraz opis wadliwego lub zniszczonego produktu

Państwa nazwisko:

Adres:

Adres e-mail:

Kod pocztowy:

Numer modelu:

Numer serii

Batch:

umieszczony na tabliczce znamionowej znajdującej się z tyłu urządzenia

Data zakupu:

Rok:

OutTrade B.V.  
Meeleweg 76  
7711 EP Nieuwleusen  
The Netherlands

Tel: +31-529—48 28 08  
Fax: +31-529—48 49 10

info@outtrade.eu  
www.outtrade.eu

Opíšte laskavo chybu:



## SI Infra peč za uporabo na tera-sah

### Prevod izvirnih navodil

Spoštovana stranka,  
veseli smo vašega zaupanja!

Pred prvo uporabo obvezno preberite ta navodila za uporabo! Tukaj boste našli vse napotke za varno uporabo in dolgo življenjsko dobo naprave. Obvezno upoštevajte vse varnostne napotke v teh navodilih!

### Glede ravnanja s temi navodili za uporabo

Vse potrebne slike najdete na prvih straneh teh navodil za uporabo. Znotraj opisov boste s pomočjo napotil vodeni do ustreznih slik.

## Pred začetkom...

### Pravilna uporaba

Naprava ustreza stanju znanosti in tehnike ter veljavnim varnostnim določilom v času, ko je dana na trg v okviru uporabe, skladno z določili.

Naprava je namenjena kot grelna naprava za nadstrešno zunanje območje.

Naprava ni primerna za obrtne ali industrijske namene.

Kakršnakoli druga uporaba je nenamenska. Zaradi nenamenske uporabe, sprememb na napravi ali uporabe delov, ki jih proizvajalec ni testiral in odobril, lahko pride do nepredvidljivih poškodb!

Vsaka nepravilna uporaba ali vse dejavnosti na napravi, ki niso opisane v tem priročniku za uporabo, so nedovoljene in zanje ne velja garancija proizvajalca.







## Za vašo varnost

### Splošni varnostni napotki

- Otroci med 3. in 8. letom starosti lahko prižgejo/ izklopijo napravo, če je bila nameščena v predvidenem končnem položaju in če so otroci pod nadzorom odgovorne osebe ali so bili usposobljeni za varno uporabo naprave ter poznajo in razumejo vsa tveganja, povezana z uporabo naprave. Otroci, stari od 3 do 8 let, ne smejo priključevati naprave, izvajati nastavitvev ali čistiti naprave in ne smejo izvajati vzdrževanja, predvidenega za uporabnika.
- Ko je terasni grelnik montiran na določeni višini, mora biti nameščen najmanj 1,8 m nad tlemi. (Velja za stenske in viseče terasne grelnike).
- Otroci, mlajši od 3 let, ne smejo biti brez nadzora v bližini naprave.
- Otroci med 3. in 8. letom starosti lahko prižgejo/ izklopijo napravo, če je bila nameščena v predvidenem končnem položaju in če so otroci pod nadzorom odgovorne osebe ali so bili usposobljeni za varno uporabo naprave ter poznajo in razumejo vsa tveganja, povezana z uporabo naprave. Otroci, stari od 3 do 8 let, ne smejo priključevati naprave, izvajati nastavitvev ali čistiti naprave in ne smejo izvajati vzdrževanja, predvidenega za uporabnika.
- Otroci, stari od 3 do 8 let, lahko vklaplajo / izklaplajo napravo le, če je bila postavljena ali nameščena v predvidenem, običajnem delovnem položaju, pri uporabi grelnika pa so otroci pod nadzorom ali so prejeli navodila o varni uporabi naprave in lahko razumejo s tem povezana tveganja.
- Otroci, stari od 3 do 8 let, naprave ne smejo vključiti, prilagajati in čistiti ali izvajati vzdrževanja, predvidenega za uporabnika.
- Če je napajalni kabel poškodovan, ga mora zamenjati proizvajalec, njegov servisni zastopnik ali ustrezno usposobljena oseba, da se izognete nevarnosti.
- Naprave nikoli ne prekrivajte z oblačili ali drugimi vnetljivimi predmeti. To bo povzročilo pregrevanje naprave, kar lahko povzroči požar.
- Razdalja med prezračevalnimi režami in vnetljivimi predmeti mora biti najmanj 75 cm. Pri nameščanju naprave v bližini zaves ali drugih vnetljivih materialov je potrebna previdnost. Potrebna je razdalja najmanj 75 cm.





## Za vašo varnost

### Splošni varnostni napotki

- Za varno ravnanje s to napravo mora uporabnik naprave navodila prebrati in jih razumeti pred prvo uporabo.
- Upoštevajte vsa varnostna navodila! Če ne upoštevate varnostnih navodil, ogrožate sebe in ljudi okoli sebe.
- Vse priročnike za uporabo in varnostna navodila shranite za prihodnjo uporabo.
- Napravo lahko uporabljate le, ko je v brezhibnem stanju. Če je naprava ali njen del pokvarjen, jo je treba izključiti in pravilno odstraniti.
- Naprave ne uporabljajte v prostorih, kjer se lahko sproži eksplozija, ali v bližini gorljivih tekočin ali plinov!
- Izklopljeno napravo vedno zavarujte pred nenamernim vklopom.
- Ne uporabljajte naprav, pri katerih stikalo za vklop/izklop ne deluje pravilno.
- Otrokom ne pustite blizu naprave! Napravo shranite varno pred otroci in nepooblaščenimi osebami.
- Naprave ne preobremenjujte. Napravo uporabljajte samo v namen, za katerega je predvidena.
- Vedno delajte previdno in v dobrem stanju: Utrujenost, bolezen, uživanje alkohola, zdravil in drog je neodgovorno, kajti v tem primeru naprave ne morete več varno uporabljati.
- Ta naprava ni predvidena za uporabo s strani oseb (vključno z otroci) z omejenimi fizičnimi, senzornimi ali duševnimi sposobnostmi ali s pomanjkanjem izkušenj in/ali znanja, razen, če jih nadzira oseba, odgovorna za njihovo varnost, ali so prejele navodila, kako napravo uporabljati.
- Zagotovite, da otroci se z napravo ne igrajo.
- Vedno upoštevajte veljavne državne in mednarodne varnostne, zdravstvene in delovne predpise.

### Električna varnost

- Napravo lahko priključite le na vtičnico, ki ima pravilno nameščen varnostni stik.
- Zavarovanje mora biti izvedeno z varnostnim stikalom okvarnega toka (FI stikalo) z izmerjenim okvarnim tokom ne več kot 30 mA.
- Pred priključitvijo naprave morate zagotoviti, da je omrežni priključek v skladu s priključnimi podatki naprave.
- Napravo lahko uporabljate le znotraj navedenih mej napetosti, moči in nominalnega števila obratov (glejte tipsko ploščico).
- Omrežne vtičnice se ne dotikajte z mokrimi rokami! Omrežni vtič vedno izvlecite tako, da povlečete vtič, ne kabel.
- Omrežnega kabla ne prepogibajte, ukleščite, vlecite ali povozite; zavarujte pred ostrimi robovi, oljem in vročino.
- Naprave nikoli ne dvigujte s kablom in kabla nikoli ne uporabljajte v druge namene.
- Pred vsako uporabo preverite vtič in kabel.
- Pri poškodbi omrežnega kabla, nemudoma izvlecite omrežni vtič. Naprave nikoli ne uporabljajte s poškodovanim omrežnim kablom.
- Kadar naprava ni v uporabi, mora biti omrežni vtič vedno izvlečen.
- Pred vključitvijo omrežnega vtiča vedno zagotovite, da je naprava izključena.
- Preden izvlečete omrežni vtič, napravo zmeraj ugasnite.
- Naprava naj bo med prevozom brez toka.

### Varnostna opozorila specifična za napravo

- Naprave ni dovoljeno uporabljati v notranjih prostorih.
- Naprava ne sme delovati v bližini bazenov, vrtnih ribnikov itd.
- Naprave med delovanjem ne smete premikati.
- Naprave med delovanjem ne smete nagniti.
- Predmetov ne smete nikoli voditi skozi prezračevalne rešetke v napravo. Smrtna nevarnost!
- Razdalja med prezračevalnimi rešetkami in vnetljivimi predmeti mora znašati vsaj 75 cm.
- Naprave ne smete pokriti. Obstaja nevarnost požara.



- Napravo morate postaviti na ravno vodoravno podlago in okoli nje mora biti prosto. Vedno morate upoštevati varnostno razdaljo.
- Naprave nikoli ne izpostavljajte vodi ali drugim tekočinam.
- Grelne naprave ne uporabljajte s časovnim stikalom ali drugim stikalom, ker se naprava samodejno izklopi, če se pojavi nevarnost požara.
- Grelne naprave ne smete postaviti neposredno pod stensko vtičnico.
- Simbolov, ki se nahajajo na vaši napravi, ne smete odstraniti ali prekriti. Opozorila na napravi, ki jih ni več mogoče prebrati, morate nemudoma zamenjati.

## Čiščenje

- Izklopite napravo in pustite, da se povsem ohladi.
- Izvlecite električni vtič.
- Napravo obrišite z rahlo navlaženo krpo.
- Za čiščenje grelnih palic in reflektorjev uporabite čopič z dolgimi, mehкими ščetinami.

## Odlaganje med odpadke



### Odlaganje naprave med odpadke

Naprave z nalepko, na kateri je simbol kot zraven, ne smete odvreči med gospodinjske oziroma odpadke. Takšno odpadno električno in elektronsko opremo je treba odstraniti ločeno. Ločeno odstranjevanje pomeni vrnitev stare opreme v recikliranje ali druge oblike ponovne uporabe. Na ta način se je mogoče, v nekaterih primerih, izogniti uhajanju škodljivih snovi v okolje.

Za gospodinjstva:

Simbol OEE0 na izdelku in / ali v njegovi dokumentaciji pomeni, da rabljene električne in elektronske opreme ne smete mešati s splošnimi gospodinjskimi odpadki. Za pravilno obdelavo, predelavo in recikliranje odnesite ta izdelek ali izdelke na določena ločena zbirališča komunalnih odpadkov.

Pravilno odstranjevanje tega izdelka bo pomagalo prihraniti dragocene vire in preprečiti morebitne negativne učinke na zdravje ljudi in okolje, ki bi jih sicer lahko povzročilo neustrezno ravnanje z odpadki. Za več informacij o najbližjem določenem ločenem zbirališču komunalnih odpadkov se obrnite na lokalno samoupravo. Za odstranjevanje odpadkov v nasprotju z nacionalnimi predpisi, je zagrožena denarna kazen.

Če poslužete v Evropski uniji in želite odstraniti odpadno električno in elektronsko opremo (OEE0), se za več informacij obrnite na prodajalca ali dobavitelja opreme.

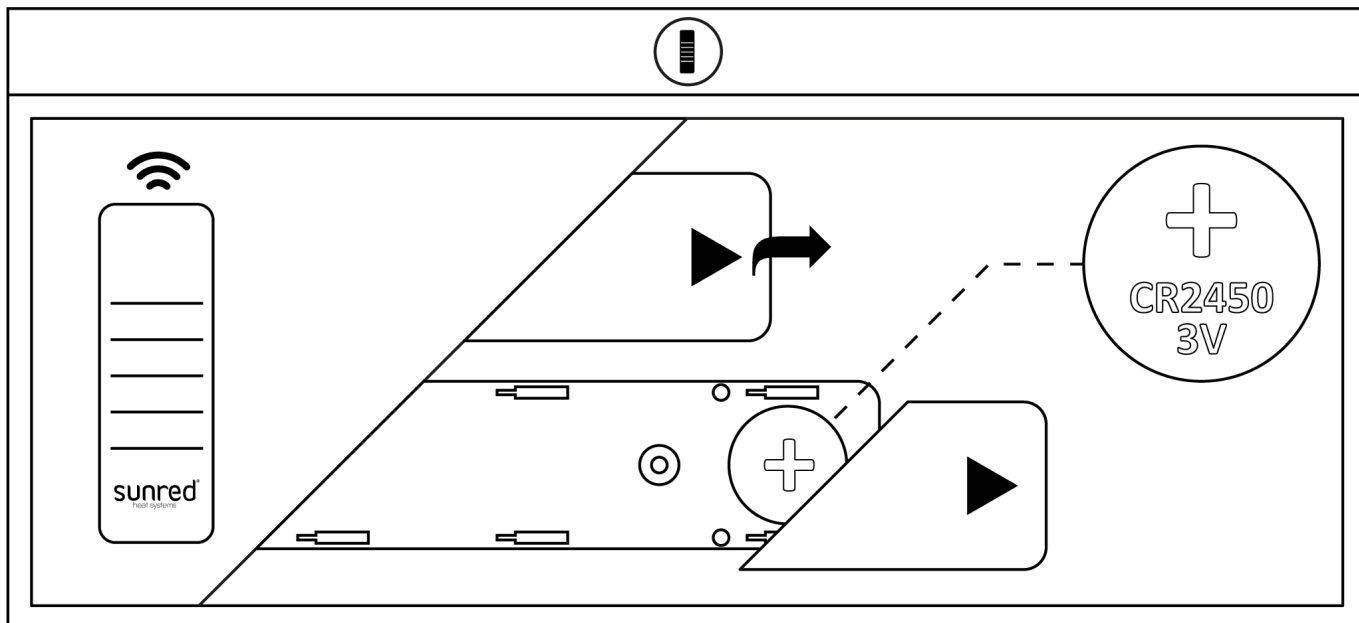
Za odstranjevanje v državah zunaj Evropske unije:

ta simbol velja samo v državah Evropske unije (EU). Če želite zavreči ta izdelek, se obrnite na lokalno samoupravo ali prodajalca in zaprosite za pravilen način odstranjevanja.

### Odlaganje embalaže med odpadke

Embalaža vsebuje karton in ustrezno označene umetne mase, ki se lahko reciklirajo.

– Te materiale namenite za reciklažo.



## Naprava na baterije

### Splošna varnostna pravila

- Namestite in odstranite baterije, kot je prikazano na zgornjem diagramu.
- Baterij za enkratno uporabo ne smete ponovno polniti.
- Baterije morate pred polnjenjem odstraniti iz naprave.
- Ne mešajte različnih vrst baterij ali novih in rabljenih baterij.
- Baterije je treba vstaviti ob upoštevanju pravilne polarnosti.
- Izpraznjene baterije je treba odstraniti iz naprave in varno odstraniti.
- Če želite napravo dlje časa neuporabljeno shranjevati, odstranite baterije.
- Napajalne sponke ne smejo biti v kratkem stiku.

**OPOZORILO:** Če grelnik izklopite z daljinskim upravljalnikom, bo preklopil v stanje pripravljenosti. Kadar grelnika ne uporabljate, vedno izključite grelnik s stikalom za vklop / izklop in odstranite vtič iz vtičnice.



## GARANCIJSKI LIST



### 2 leti omejene garancije

Izpolnite ta obrazec in ga pošljite po faksu ali e-pošti na spodnje številke. Če se izkaže, da je izdelek okvarjen, ga vrnite prodajalcu skupaj z dokazilom o nakupu.

- Priložite scan/ kopijo dokazila o prodaji.
- Priložite fotografije / slike in opis okvarjenega ali poškodovanega izdelka.

Vaš priimek:

Naslov:

Adres e-mail:

E-poštni naslov:

Številka modela:

Serijska številka

Batch:

ki se nahaja na tipski ploščici na zadnji strani naprave

Datum nakupa:

Leto:

OutTrade B.V.  
Meeleweg 76  
7711 EP Nieuwleusen  
The Netherlands

Tel: +31-529—48 28 08  
Fax: +31-529—48 49 10

info@outtrade.eu  
www.outtrade.eu

Opišite napako:



## HU Teraszhősugárzó

### Eredeti használati utasítás fordítása

Tisztelt Vásárló!

Köszönjük megtisztelő bizalmát!

Az első üzembe helyezés előtt feltétlenül olvassa el ezt a használati utasítást! Ebben a készülék biztonságos használatára és hosszú élettartamára vonatkozó összes tudnivalót megtalálhatja. Feltétlenül tartsa be az útmutató minden biztonsági utasítását!

### A használati útmutató kezelésére vonatkozó tudnivalók

Minden szükséges ábrát a használati útmutató első oldalain talál meg. A leírások belsejében lévő utalások elvezetik a felhasználót a megfelelő ábrához.

## Mielőtt hozzákezdene...

### Rendeltetésszerű használat

A készülék, a forgalomba hozatal időpontjában, megfelel a tudomány és technika aktuális állá-sának, valamint a hatályos biztonsági előírásoknak, rendeltetésszerű használata keretén belül.

A készülék rendeltetése: fűtőkészülék, tető által védett külső terekhez.

A készülék nem ipari felhasználásra szolgál.

Minden más alkalmazás ellentmond az előírtnak. A nem előírt alkalmazás, a készülék meg-változtatása, vagy a gyártó által nem ellenőrzött és jóváhagyott alkatrészek használata előrelát-hatatlan károsodásokhoz vezethet.

Minden rendeltetési céltól eltérő használat ill. a használati utasításban fel nem sorolt tevékeny-ség nem megengedettnek számít, és kívül esik a gyártó törvényes szavatossági körén.





## Biztonsága érdekében

### Általános biztonsági előírások

- 3 évesnél fiatalabbak egyáltalán nem, 8 évesnél fiatalabb gyermekek pedig, csak akkor kapcsolhatják be / ki a készüléket, ha az rendeltetésszerűen lett beüzemelve, és felügyeletet, vagy megfelelő oktatást kaptak a készülék biztonságos használatára, ill. megértették az azzal járó veszélyeket. Sem 3, sem 8 évesnél fiatalabb gyermekek nem csatlakoztathatják a készüléket áramforráshoz, ill. nem szabályozhatják, tisztíthatják a készüléket, valamint nem végezhetnek rajta karbantartást.
- Ha a teraszos melegítőket magasra helyezik, a radiátort legalább 1,8 m-rel a padló felett kell felszerelni. (Fali és függesztett teraszfűtőkre vonatkozik).
- Folyamatos felügyelet nélküli, 3 évesnél fiatalabb gyermekektől távol tartandó!
- 3 évesnél fiatalabbak egyáltalán nem, 8 évesnél fiatalabb gyermekek pedig, csak akkor kapcsolhatják be / ki a készüléket, ha az rendeltetésszerűen lett beüzemelve, és felügyeletet, vagy megfelelő oktatást kaptak a készülék biztonságos használatára, ill. megértették az azzal járó veszélyeket. Sem 3, sem 8 évesnél fiatalabb gyermekek nem csatlakoztathatják a készüléket áramforráshoz, ill. nem szabályozhatják, tisztíthatják a készüléket, valamint nem végezhetnek rajta karbantartást.
- 3 és 8 év közötti gyermekek csak akkor kapcsolhatják be / ki a készüléket, ha azt rendeltetésszerű, normál üzemi helyzetbe helyezték vagy szerelték fel, és a fűtés működtetése során a gyermekek felügyelete alatt állnak, vagy kaptak útmutatást a készülék használatáról. biztonságosan, és képesek megérteni az ezzel járó kockázatokat.
- A 3 és 8 év közötti gyermekek nem csatlakoztathatják, beállíthatják vagy tisztíthatják a készüléket, és nem végezhetnek a felhasználói karbantartást.
- Ha a tápkábel megsérült, a veszély elkerülése érdekében a gyártó, a szervizképviselő vagy megfelelően képzett személy kell kicserélnie a tápkábelt.
- Soha ne takarja le a készüléket ruházattal vagy más gyúlékony tárgyakkal. Ez a készülék túlmelegedését okozhatja, ami tüzet okozhat.
- A szellőzőnyílások és a gyúlékony tárgyak közötti távolságnak legalább 75 cm-nek kell lennie.
- Óvatosan kell eljárni, ha a terméket függönyök vagy más gyúlékony anyagok közelében helyezik el. Legalább 75 cm távolság szükséges.





## Biztonsága érdekében

### Általános biztonsági előírások

- A készülék csak akkor kezelhető biztonságosan, ha az első használat előtt a kezelő elolvasta és megértette ezt a használati utasítást.
- Tartsa be az összes biztonsági előírást! A biztonsági előírások figyelmen kívül hagyásával önmagát és másokat is veszélyeztet.
- Minden használati utasítást és biztonsági előírást őrizzen meg a későbbi felhasználásra.
- Ha a készüléket eladja vagy odaadja, feltétlenül adja vele ezt a használati utasítást is.
- A készüléket csak akkor szabad használni, ha az kifogástalan állapotban van. Ha a készülék vagy egy része hibás, akkor azt üzemben kívül kell helyezni és hulladékként szakszerűen kell eltávolítani.
- A készüléket ne alkalmazza robbanásveszélyes helyeken vagy gyúlékony folyadékok vagy gázok közelében!
- A kikapcsolt készüléket mindig biztosítsa véletlen bekapcsolás ellen.
- Ne használjon olyan készüléket, amelyen a ki-be kapcsológomb nem működik megfelelően.
- Tartsa távol a gyermekeket a géptől! Tartsa távol a készüléket a gyermekektől és az illeték-telen személyektől.
- Ne terhelje túl a készüléket. Csak a rendeltetési céljának megfelelően használja a gépet.
- Mindig megfontoltan, jó testi/lelki állapotban dolgozzon: Felelőtlenség megengedni, hogy fáradtság, betegség, alkohol fogyasztása, gyógyszerek és kábítószer befolyásolja Önt, mivel Ön ilyen esetben már nem tudja biztonságosan használni a készüléket.
- Ez a készülék nem alkalmas arra, hogy korlátozott fizikai, érzékszervi vagy szellemi képes-ségekkel, vagy hiányos tapasztalattal és/vagy tudással rendelkező személyek (gyerekeket is beleértve) használják, kivéve, ha a biztonságukért felelősséget vállaló személy felügyeli őket, vagy ha tőle útmutatásokat kapnak a készülék használatával kapcsolatban.
- Biztosítsa, hogy gyermekek ne játszhassanak a készülékkel.
- Az érvényes nemzeti és nemzetközi biztonsági, egészségügyi és munkavédelmi előírásokat mindig tartsa be.

### Elektromos biztonság

- A készülékeket kizárólag megfelelően felszerelt védőérintkezős dugaszoló aljzatra csatlakoz-tassa.
- Védelemként iktasson az áramkörbe egy olyan maradékáram-működtetésű megszakítót (FI relét), melynek névleges áramerőssége nem haladja meg a 30 mA-t.
- A készülék csatlakoztatása előtt bizonyosodjon meg, hogy a hálózata megfelel a készülék csatlakozási adatainak.
- A készülékeket kizárólag az előírt feszültség-, teljesítmény- és névleges fordulatszám határ-értékeken belül üzemeltetheti (lásd a típus táblát).
- A hálózati csatlakozót ne fogja meg nedves kézzel, kihúzásakor pedig mindig a dugót fogja meg, ne a kábelt.
- A hálózati kábelt ne gyűrje, ne csavarja, húzza meg vagy ne lépjen rá, óvja az éles sarkaktól, olajtól és hőségtől.
- A készüléket ne emelje meg a kábelnél fogva és a kábelt egyéb rendeltetéstől eltérő célra se használja.
- Minden használat előtt ellenőrizze a csatlakozó dugót és a kábelt.
- Ha megsérül a hálózati kábel, azonnal húzza ki a csatlakozó dugaszt. A készüléket soha ne használja sérült hálózati kábellel.
- Amikor használaton kívül van, húzza ki a csatlakozó dugaszt.
- A csatlakozó dugasz csatlakoztatása előtt ellenőrizze, hogy a készülék ki van kapcsolva.
- A dugasz kihúzása előtt mindig kapcsolja ki a készüléket.
- Szállítás előtt áramtalanítsa a berendezést.

### A készülékre jellemző biztonsági utasítások

- A készüléket tilos belső térben működtetni.
- A készüléket tilos úszómedencék, kerti tavak, stb. közelében működtetni.
- A készüléket üzem közben tilos elmozdítani.
- A készüléket üzem közben tilos megdönteni.





- Soha ne dugjon be semmilyen tárgyat a készülék szellőzőrostélyába. Életveszély!
- A szellőzőrostély és az éghető tárgyak közötti távolság legalább 75 cm kell hogy legyen.
- A készüléket tilos lefedni. Tűzveszélyes!
- A készüléknek sík, vízszintes körfelületen kell állnia. A biztonsági távolságokat mindig be kell tartani.
- A készüléket soha nem szabad víznek vagy egyéb folyadéknak kitenni.
- Ne használja a készüléket időkapcsolóval, vagy olyan kapcsolóval, mely azt automatikusan bekapcsolja, mert ebben az esetben tűzveszély áll fenn.
- A fűtőkészüléket tilos fali csatlakozóaljzat alatt felállítani.
- A készüléken létező jeleket nem szabad levenni vagy letakarni. A már nem olvasható utasításokat a szerszámon rögtön le kell cserélni.

## Tisztítás

- A készüléket kapcsolja ki és hagyja teljesen lehűlni.
- Húzza ki a hálózati dugaszt.
- A készüléket törölje meg egy kissé nedves törlővel.
- A fűtőszálak és a reflektor tisztításához használjon hosszú, puha sörtéjű ecsetet.

## Selejtezés

Azokat a készülékeket, amelyek címkén mellette mutatott szimbólum található, nem szabad háztartási hulladékként megsemmisíteni. Az ilyen elektromos és elektronikus berendezések hulladékát külön kell megsemmisíteni. Az elkülönített ártalmatlanítás azt jelenti, hogy a régi berendezéseket visszafelhasználják újrahasznosításra vagy más újrafelhasználási formákra. Ily módon elkerülhető bizonyos esetekben a káros anyagok környezetbe történő szivárgása.



Háztartások esetében:

A terméken található WEEE szimbólum és / vagy annak dokumentációja azt jelzi, hogy a használt elektromos és elektronikus berendezéseket nem szabad keverni az általános háztartási hulladékkal. A megfelelő kezelés, újrahasznosítás érdekében kérjük, hogy ingyen vigye el ezt a terméket vagy termékeket a kommunális hulladék számára kijelölt külön gyűjtőhelyekre. A termék megfelelő ártalmatlanítása értékes erőforrások megtakarításában segít, és megakadályozza az emberi egészségre és a környezetre gyakorolt esetleges negatív hatásokat, amelyeket egyébként a nem megfelelő hulladékkezelés okozhat. A települési hulladék legközelebbi kijelölt gyűjtőhelyével kapcsolatos további információkért forduljon a helyi tanácshoz. Büntetés szabható ki, ha a hulladékot a nemzeti előírások megsértésével ártalmatlanítják.

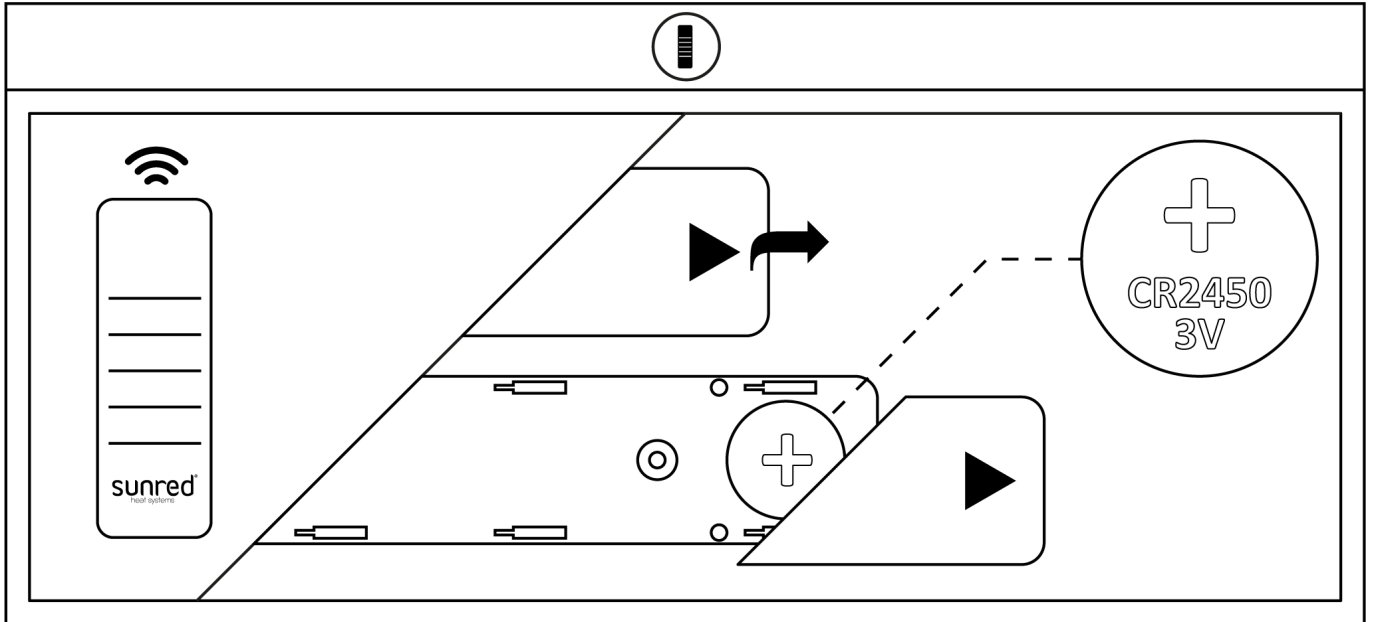
Ha üzleti tevékenységet folytat az Európai Unióban, és ártalmatlanítani kívánja az elektromos és elektronikus berendezések hulladékait (WEEE), további információkért forduljon a kereskedőjéhez vagy a készülék beszállítójához.

Az Európai Unió kívüli országokban történő ártalmatlanításhoz: ez a szimbólum csak az Európai Unió (EU) országaiban érvényes. Ha el akarja dobni ezt a terméket, kérjük, forduljon a helyi tanácshoz vagy a kereskedőhöz, és kérje meg a helyes ártalmatlanítási módszert.

## A csomagolás selejtezése

A csomagolás anyaga karton és megfelelően jelölt műanyag, ami újra hasznosítható.

- Ezeket juttassa el az újrahasznosításba.



## Akkumulátoros eszköz

### Általános biztonsági szabályok

- Helyezze be és vegye ki az elemeket a fent látható módon.
- A nem újratölthető elemeket nem szabad újratölteni.
- Töltés előtt az akkumulátorokat ki kell venni a készülékből.
- Ne keverjen különböző típusú elemeket, és ne keverjen új és használt elemeket.
- Az elemeket helyes polaritással kell behelyezni.
- A lemerült elemeket ki kell venni a készülékből és biztonságosan meg kell semmisíteni.
- Ha a készüléket hosszabb ideig használaton kívül kívánja tárolni, vegye ki az elemeket.
- Az áramellátás kapcsai nem lehetnek rövidzárlatosak.

**Figyelem:** Ha a fűtőttestet a távirányító kikapcsolja, akkor az készenléti állapotba kerül. Ha a fűtést nem használják, mindig kapcsolja ki a fűtőt a be / ki kapcsolóval, és húzza ki a csatlakozót a konnektorból.



## JÓTÁLLÁSI KÁRTYA



### 2 év korlátozott garancia

Kérjük, töltsse ki az űrlapot, és küldje el faxon vagy e-mailben az alább megadott számokra. Ha a termék hibásnak bizonyul, kérjük, küldje vissza az eladónak a vásárlás igazolásával együtt.

- Kérjük, csatolja az értékesítési bizonylat beolvasását / másolatát.
- Kérjük, csatoljon fényképeket / képeket és a hibás vagy sérült termék leírását.

A vezetékneve:

cím:

E-mail cím:

Irányítószám:

Modell száma

A tétel száma

Batch:

a készülék hátulján található  
adattáblán található

Vásárlás dátuma:

év:

OutTrade B.V.  
Meeleweg 76  
7711 EP Nieuwleusen  
The Netherlands

Tel: +31-529—48 28 08  
Fax: +31-529—48 49 10

info@outtrade.eu  
www.outtrade.eu

Kérjük, írja le a hibát:



## HR Električna grijalica za terasu

### Prijevod originalne upute za rad

Poštovani kupci,

radujemo se Vašem povjerenju!

Prije prve upotrebe pročitajte ovu uputu za upotrebu! Ovdje će te naći sve upute za sigurnu upotrebu i dugi vijek trajanja uređaja. Molimo Vas da obavezno slijedite sve sigurnosne upute iz ove upute!

### O rukovanju sa ovom uputom za uporabu

Sve potrebne ilustracije ćete naći u ovoj uputi za upotrebu na prvoj strani. Unutar opisa će Vas se kroz uputnice voditi do odgovarajućih ilustracija.

## Prije nego što započnete...

### Svrishodna uporaba

Uređaj odgovara stanju nauke i tehnike kao i sigurnosnim odredbama u vrijeme stavljanja u prodaju, u okviru njegove uporabe u skladu s odredbama.

Uređaj je namijenjen za uporabu kao grijalica za natkriveno vanjsko područje.

Uređaj nije namijenjen profesionalnoj uporabi.

Svaka druga primjena nije dozvoljena. Korištenjem u nedozvoljene svrhe, kroz promjene na uređaju ili kroz uporabu dijelova, koji nisu kontrolirani i dozvoljeni od proizvođača, mogu nastati nepredvidiva oštećenja!

Svaka uporaba koja nije u skladu s odredbama odnosno svi radovi na uređaju koji nisu opisani u ovim uputama za uporabu spadaju u nedozvoljenu uporabu izvan zakonskih granica odgovornosti proizvođača.





## Za Vašu sigurnost

### Opće sigurnosne upute

- Djeca od 3. do 8. godine starosti mogu uključivati/isključivati uređaj ukoliko je isti postavljen ili instaliran u svom konačnom predviđenom položaju i ako su djeca pod nadzorom odgovornog odraslog lica ili ako su obučena za sigurnu upotrebu uređaja i ako su upoznata i shvaćaju sve rizike vezane uz korištenje uređaja. Djeca u starosnoj dobi između 3. i 8. godina ne smiju uključivati uređaj u struju, podešavati ga, čistiti, niti provoditi radnje na održavanju koje se traže od korisnika uređaja.
- U slučaju postavljanja grijalice za terasu na uzvišenju istu treba montirati najmanje 1,8 m iznad poda. (Odnosi se na zidne i viseće grijalice za terasu).
- Djeca ispod 3. godine života ne smiju se ostavljati u blizini uređaja bez nadzora.
- Djeca od 3. do 8. godine starosti mogu uključivati/isključivati uređaj ukoliko je isti postavljen ili instaliran u svom konačnom predviđenom položaju i ako su djeca pod nadzorom odgovorne odrasle osobe ili ako su obučena za sigurnu uporabu uređaja i ako su upoznata i shvaćaju sve rizike vezane uz korištenje uređaja. Djeca u starosnoj dobi između 3. i 8. godina ne smiju uključivati uređaj u struju, podešavati ga, čistiti, niti provoditi radnje na održavanju koje se traže od korisnika uređaja.
- Djeca od 3. do 8. godine starosti mogu uključivati/isključivati uređaj ukoliko je isti postavljen ili instaliran u svom normalnom predviđenom radnom položaju i ako su djeca tom prilikom pod nadzorom odgovorne odrasle osobe ili ako su upoznata s uputama za sigurnu uporabu uređaja, te shvaćaju sve rizike vezane uz korištenje uređaja.
- Djeca između 3. i 8. godine života ne smiju uključivati uređaj u struju, podešavati ga, čistiti, niti provoditi radnje na održavanju koje se traže od korisnika uređaja.
- Radi izbjegavanja opasnosti u slučaju oštećenja napojnog kabela isti može mijenjati proizvođač, njegov serviser ili za to kompetentna ovlaštena osoba.
- Uređaj se ne smije pokrivati odjećom niti bilo kojim lakozapaljivim predmetima. Može to voditi do pregrijavanja uređaja i prouzročiti požar.
- Udaljenost između ventilacijskih otvora i lakozapaljivih predmeta ne smije biti manja od 75 cm.
- Oprezno postupati u slučaju postavljanja uređaja u blizini zavjesa i drugih zapaljivih materijala. Najmanja udaljenost od njih treba iznositi barem 75 cm.





## Za Vašu sigurnost

### Opće sigurnosne upute

- Za sigurno rukovanje uređajem korisnik mora pročitati i razumjeti ove upute za uporabu prije prvog korištenja uređaja.
- Obratite pažnju na sve sigurnosne upute! Ako ne poštujete sigurnosne upute, sebe i druge osobe dovodite u opasnost.
- Sačuvajte sve upute za uporabu i sigurnosne upute radi buduće uporabe.
- Ako prodate ili poklonite uređaj, obvezno dajte i upute za uporabu.
- Uređaj se smije koristiti samo onda, ako je u ispravnom stanju. Ako je uređaj ili neki njegov dio neispravan, trebate ga staviti van pogona i stručno ga zbrinuti.
- Uređaj nemojte koristiti u prostorijama u kojima postoji opasnost od eksplozije ili u blizini gorućih tekućina ili plinova!
- Isključeni uređaj uvijek osigurajte protiv slučajnog uključivanja.
- Nemojte koristiti uređaje, na kojima sklopka za uključivanje – isključivanje ne funkcionira ispravno.
- Udaljite djecu od uređaja! Uređaj odložite tako da bude siguran od djece i neovlaštenih osoba.
- Ne preopterećujte uređaj. Uređaj upotrebljavajte samo za svrhe za koje je i namijenjen.
- Uvijek raditi sa oprezom i u dobrom raspoloženju: Umor, bolest, konzum alkohola, utjecaj lijekova i droga su neodgovorni, pošto više niste u stanju uređaj sigurno koristiti.
- Uređaj nije namijenjen za to da ga koriste osobe (uključujući djeca) s ograničenim tjelesnim, senzoričkim ili duševnim sposobnostima ili nedovoljnim iskustvom i/ili znanjem, osim ako ih nadzire osoba zadužena za njihovu sigurnost ili su od nje dobile upute kako se koristi uređaj.
- Provjerite, da se djeca ne igraju s uređajem.
- Uvijek slijediti važeće nacionalne i internacionalne sigurnosne propise, propise o sigurnosti i radu.

### Električna sigurnost

- Uređaj se smije priključiti samo na utičnicu sa uredno instaliranim zaštitnim kontaktom.
- Ista se mora osigurati sa zaštitnom sklopkom od struje kvara (FI sklopka) sa strujom kvara dimenzioniranja od ne više od 30 mA.
- Prije priključivanja uređaja se mora osigurati, da mrežni priključak odgovara priključnim podacima uređaja.
- Uređaj se smije koristiti samo unutar navedenih granica za napon, učinak i nazivni broj okre-taja (vidi pločicu s podacima).
- Mrežni utikač ne dodirivati sa mokrim rukama! Mrežni utikač uvijek iskopčati na utičnici, ne povlačiti za kabel.
- Mrežni kabel ne savijati, gnječiti, povlačiti ili preko njega prelaziti; zaštititi od oštih rubova, ulja i vrućine.
- Uređaj ne dizati uza kabel ili kabel koristiti u druge svrhe, u koje nije namijenjen.
- Prije svake uporabe provjerite utikač i kabel.
- Kod oštećenja mrežnog kabela odmah iskopčati mrežni utikač. Uređaj nikada ne koristiti sa oštećenim mrežnim kablom.
- Kod nekorištenja se mora uvijek iskopčati mrežni utikač.
- Prije ukapčanja mrežne utičnice osigurati, da je uređaj isključen.
- Prije iskapčana mrežne utičnice uvijek isključiti uređaj.
- Uređaj prilikom transporta iskopčati iz struje.

### Sigurnosne upute specifične za uređaj

- Uređaj se ne smije koristiti u unutrašnjim prostorijama.
- Uređaj se ne smije koristiti u blizini bazena, vrtnih jezera itd.
- Uređaj za vrijeme pogona nemojte pomicati.
- Uređaj za vrijeme pogona nemojte naginjati.
- Nikada ne gurajte predmete u uređaj kroz ventilacijsku rešetku. Životna opasnost!
- Razmak između ventilacijskih rešetki i zapaljivih predmeta mora iznositi najmanje 75 cm.
- Uređaj se ne smije prekrivati. Postoji opasnost od požara.
- Uređaj se mora postaviti na vodoravnu podlogu tako da bude slobodan sa svih strana. Uvijek je potrebno poštivati sigurno-



sne razmake.

- Uređaj se ne smije izlagati vodi ili drugim tekućinama.
- Grijalicu nikada nemojte koristiti sa vremenskom sklopkom ili nekom drugom sklopkom, koja uređaj automatski uključuje, pošto inače postoji opasnost od požara.
- Grijalica se ne smije postavljati neposredno ispod zidne utičnice.
- Simboli koji se nalaze na uređaju ne smiju se uklanjati. Upute na uređaju koje više nisu čitljive potrebno je odmah zamijeniti.

### Čišćenje

- Isključite uređaj i pustite ga da se potpuno ohladi.
- Iskopčajte mrežni utikač.
- Obrišite uređaj lagano navlaženom krpom.
  - Za čišćenje grijaačih šipki i reflektora koristite kist s dugim mekanim vlaknima.



### Odlaganje na otpad

Uređaji opremljeni oznakom sa simbolom pokraj ne smiju se odlagati zajedno s kućnim otpadom iz domaćinstva. Električnu i elektroničku opremu takvog tipa treba odlagati odvojeno. Odvojeno odlaganje znači da se stara EE oprema preda za recikliranje ili druge načine ponovne uporabe. Time se sprječava u određenim slučajevima dospijevanje štetnih tvari u okoliš.

U domaćinstvu:

simbol WEEE koji se nalazi na proizvodu i/ili u njegovoj dokumentaciji znači da se istrošena električna i elektronička oprema ne smije miješati zajedno s kućnim otpadom iz domaćinstva. Radi pravilne prerade, uporabe i recikliranja besplatno predajte ovaj proizvod odnosno ove proizvode na mjestu za selektivno sakupljanje komunalnog otpada.

Pravilno odlaganje ovog proizvoda pomaže štedjeti resurse te sprječava sve potencijalno negativne učinke po ljudsko zdravlje i okoliš koje bi mogle nastati zbog nepravilnog odlaganja otpada. Za više informacija o najbližem mjestu za selektivno sakupljanje komunalnog otpada, kontaktiraj lokalnu samoupravu. Uklanjanje otpada suprotno lokalnim propisima države može rezultirati kaznom.

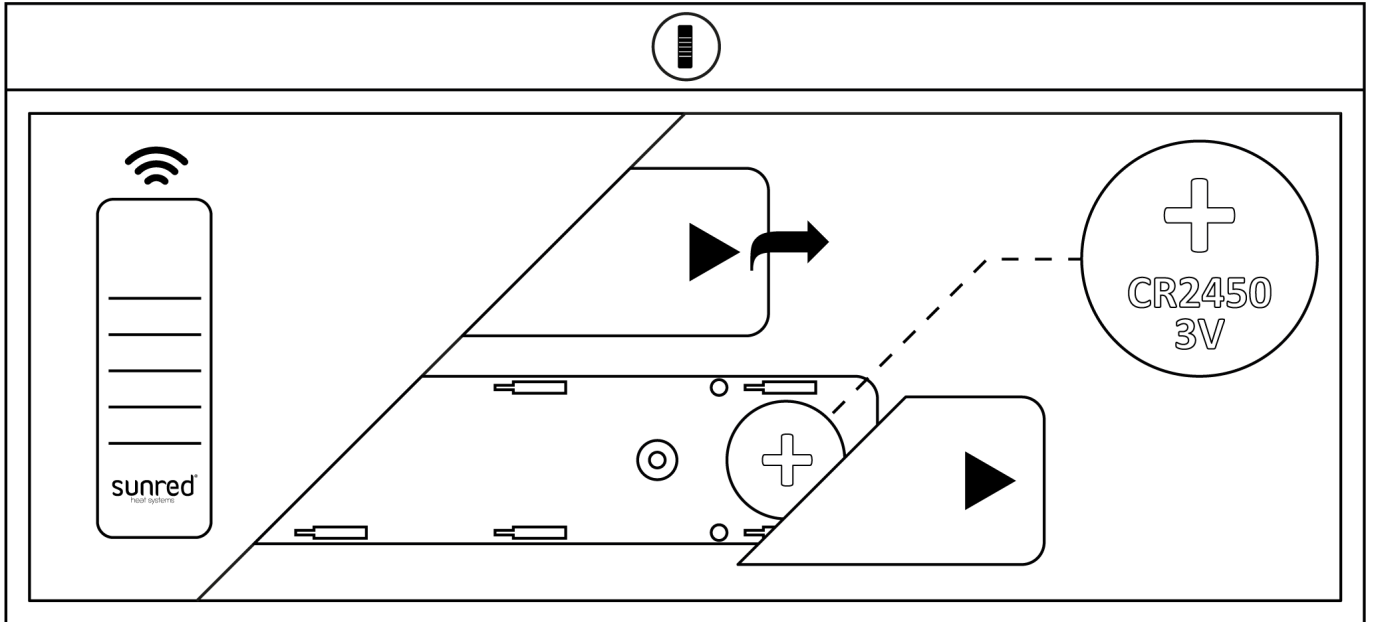
U slučaju korisnika koji vode gospodarsku djelatnost na području Europske Unije i žele se riješiti istrošene EE opreme (WEEE) kontaktirajte prodavatelja ili dobavljača opreme radi daljnjih informacija.

U slučaju odlaganja izvan Europske Unije:

ovaj simbol važi samo u zemljama članicama EU. Ukoliko želiš baciti ovaj proizvod kontaktiraj lokalnu samoupravu ili prodavatelja te zatraži informacije o pravilnom načinu odlaganja.

### Odlaganje pakiranja na otpad

Pakiranje se sastoji od kartona i odgovarajuće označenih umjetnih materijala koji se mogu reciklirati.



## Uređaj se napaja baterijama

### Opća sigurnosna pravila

- Baterije CR2450 3v. Baterija nije dostavljena zajedno s uređajem.
- Baterije se stavljaju i vade prema gore prikazanoj shemi.
- Jednokratne baterije se ne smiju puniti.
- Prije punjenja akumulatori se moraju izvaditi iz uređaja.
- Ne smiju se pomiješati razne tipove baterija, kao i koristiti nove i rabljene baterije zajedno.
- Kod stavljanja baterija voditi računa o pravilnoj polarizaciji.
- Istrošene baterije izvaditi iz uređaja i ukloniti na pravilan način.
- Ukoliko uređaj se neće koristiti dulje vrijeme, baterije se moraju izvaditi.
- Stezaljke napajanja ne mogu biti zatvorene.

**UPOZORENJE:** Ako se grijalica isključuje pomoću daljinskog upravljača prelazi u stanje 'pripravnosti'. Ako se grijalica ne koristi treba je isključiti pomoću prekidača, te izvući utikač iz utičnice.





## JAMSTVENI LIST



### 2 godine ograničenog jamstva

Popunite ovaj obrazac i pošaljite ga faksom na ispod navedene brojeve ili mailom. Ukoliko je proizvod neispravan, molimo, vratite ga trgovcu, zajedno s dokazom kupnje.

- Molimo priložite fotokopiju/skeniranu potvrdu o kupnji.
- Molimo priložite slike/snimke i opis neispravnog ili oštećenog proizvoda.

Vaše prezime:

Adresa:

Adresa e-pošte:

Poštanski broj:

Broj modela:

Broj serije

Batch:

koji se nalazi na nazivnoj

pločici pozadi uređaja

Datum kupnje:

Godina:

OutTrade B.V.  
Meeleweg 76  
7711 EP Nieuwleusen  
The Netherlands

Tel: +31-529—48 28 08  
Fax: +31-529—48 49 10

info@outtrade.eu  
www.outtrade.eu

Molimo opisati kvar:



## BA Električna grijalica za terasu

### Prijevod originalne upute za rad

Poštovani klijentu,

raduje nas vaše povjerenje!

Svakako pročitajte uputstvo za upotrebu prije prvog puštanja u pogon! Ovdje ćete naći sva uputstva za jednu sigurnu upotrebu in dug život vašeg aparata. Svakako pazite na sva sigurnosne upute u ovom uputstvu!

### Za rukovanje ovom uputom za upotrebu

Sve potrebne ilustracije ćete naći u ovoj uputi za upotrebu na prvoj strani. Unutar opisa će Vas se kroz uputnice voditi do odgovarajućih ilustracija.

## Prije nego što počnete...

### Namjenska upotreba

Uređaj odgovara stanju nauke i tehnike kao i sigurnosnim odredbama u vrijeme stavljanja u pro-daju, u okviru njegove upotrebe u skladu sa odredbama. Uređaj je namijenjen za korištenje kao grijalica za natkriveno vanjsko područje.

Uređaj nije namijenjen profesionalnoj upotrebi.

Svaka druga upotreba je nepropisna. Nepropisnom upotrebom, promjenama na uređaju ili upotrebom dijelova koji nisu provjereni ili dozvoljeni od strane proizvođača, mogu nastati nepredviđene štete!

Svaka upotreba koja nije u skladu sa odredbama odnosno svi radovi na uređaju koji nisu opisani u ovom uputstvu za upotrebu spadaju u nedozvoljenu upotrebu izvan zakonskih granica odgovornosti proizvođača.





## Za Vašu sigurnost

### Opšta sigurnosna uputstva

- Djeca od 3. do 8. godine starosti mogu uključivati/isključivati uređaj ukoliko je isti postavljen ili instaliran u svom konačnom predviđenom položaju i ako su djeca pod nadzorom odgovornog odraslog lica ili ako su obučena za sigurnu upotrebu uređaja i ako su upoznata i shvaćaju sve rizike vezane uz korištenje uređaja. Djeca u starosnoj dobi između 3. i 8. godina ne smiju uključivati uređaj u struju, podešavati ga, čistiti, niti provoditi radnje na održavanju koje se traže od korisnika uređaja.
- U slučaju postavljanja grijalice za terasu na uzvišenju istu treba montirati najmanje 1,8 m iznad poda. (Odnosi se na zidne i viseće grijalice za terasu).
- Djeca ispod 3. godine života ne smiju se ostavljati u blizini uređaja bez nadzora.
- Djeca od 3. do 8. godine starosti mogu uključivati/isključivati uređaj ukoliko je isti postavljen ili instaliran u svom konačnom predviđenom položaju i ako su djeca pod nadzorom odgovornog odraslog lica ili ako su obučena za sigurnu upotrebu uređaja i ako su upoznata i shvaćaju sve rizike vezane uz korištenje uređaja. Djeca u starosnoj dobi između 3. i 8. godina ne smiju uključivati uređaj u struju, podešavati ga, čistiti, niti provoditi radnje na održavanju koje se traže od korisnika uređaja.
- Djeca od 3. do 8. godine starosti mogu uključivati/isključivati uređaj ukoliko je isti postavljen ili instaliran u svom normalnom predviđenom radnom položaju i ako su djeca tom prilikom pod nadzorom odgovorne odrasle osobe ili ako su upoznata s uputama za sigurnu upotrebu uređaja, te shvaćaju sve rizike vezane uz korištenje uređaja.
- Djeca između 3. i 8. godine života ne smiju uključivati uređaj u struju, podešavati ga, čistiti, niti provoditi radnje na održavanju koje se traže od korisnika uređaja.
- Radi izbjegavanja opasnosti u slučaju oštećenja napojnog kabla isti može mijenjati proizvođač, njegov serviser ili za to kompetentno ovlašteno lice.
- Uređaj se ne smije pokrivati odjećom niti bilo kojim lakozapaljivim predmetima. Može to voditi do pregrijavanja uređaja i prouzročiti požar.
- Udaljenost između ventilacionih otvora i lakozapaljivih predmeta ne smije biti manja od 75 cm.
- Oprezno postupati u slučaju postavljanja uređaja u blizini zavjesa i drugih zapaljivih materijala. Najmanja udaljenost od njih treba iznositi barem 75 cm.





## Za Vašu sigurnost

### Opšta sigurnosna uputstva

- Za sigurno rukovanje uređajem korisnik mora pročitati i razumjeti ovo uputstvo za upotrebu prije prvog korištenja uređaja.
- Obratite pažnju na sva sigurnosna uputstva! Ako ne poštujete sigurnosna uputstva, sebe i druga lica dovodite u opasnost.
- Sačuvajte sva uputstva za upotrebu i sigurnosna uputstva radi buduće upotrebe.
- Ako prodate ili poklonite uređaj, obavezno dajte i uputstvo za upotrebu.
- Uređaj se smije koristiti samo onda, ako je u ispravnom stanju. Ako je uređaj ili neki njegov dio oštećen, mora se staviti van pogona i propisno odložiti.
- Uređaj ne upotrebljavajte u prostorijama u kojima može doći do eksplozije ili u blizini zapaljivih tečnosti ili gasova!
- Isključen uređaj uvijek osigurajte protiv slučajnog uključivanja.
- Nemojte koristiti uređaje, na kojima prekidač za uključivanje – isključivanje ne funkcioniše ispravno.
- Udaljite djecu od uređaja! Uređaj odložite tako da bude siguran od djece i neovlaštenih lica.
- Ne preopterećujte uređaj. Uređaj upotrebljavajte samo za svrhe za koje je i namijenjen.
- Uvijek raditi sa oprezom i u dobrom raspoloženju: Umor, bolest, konzum alkohola, utjecaj lijekova i droga su neodgovorni, pošto više niste u stanju uređaj sigurno koristiti.
- Ovaj uređaj nije namijenjen za upotrebu od strane osoba (uključujući djecu) s ograničenim fizičkim, senzoričkim ili duševnim sposobnostima ili nedostatkom iskustva i/ili znanja, njih mora nadgledati osoba koja je nadležna za njihovu sigurnost ili im mora dati instrukcije o tome kako se koristi uređaj.
- Proverite, da se djeca ne igraju s uređajem.
- Uvijek slijediti važeće nacionalne i internacionalne sigurnosne propise, propise o sigurnosti i radu.

### Električna sigurnost

- Uređaj se smije priključiti samo na utičnicu sa uredno instaliranim zaštitnim kontaktom.
- Ista se mora osigurati sa zaštitnim prekidačem od struje kvara (FI sklopka) sa strujom kvara dimenzioniranja od ne više od 30 mA.
- Prije priključivanja uređaja se mora osigurati, da mrežni priključak odgovara priključnim podacima uređaja.
- Uređaj se smije koristiti samo unutar navedenih granica za napon, učinak i nazivni broj okre-taja (vidi pločicu s podacima).
- Mrežni utikač nikada ne dodirivati sa mokrim rukama! Mrežni utikač uvijek povući za utikač a ne za kabal.
- Mrežni kabal ne savijati, gnječiti, povlačiti ili preko njega prelaziti; zaštititi od oštirih rubova, ulja i vrućine.
- Uređaj ne dizati uza kabal ili kabal koristiti u druge svrhe, u koje nije namijenjen.
- Prije svake upotrebe provjerite utikač i kabal.
- Kod oštećenja mrežnog kabla odmah iskopčati mrežni utikač. Uređaj nikada ne koristiti sa oštećenim mrežnim kablom.
- Kod nekorištenja se mora uvijek iskopčati mrežni utikač.
- Prije prikopčavanja mrežne utičnice osigurati, da je uređaj isključen.
- Prije iskopčavanja mrežne utičnice uvijek isključiti uređaj.
- Uređaj prilikom transporta iskopčati iz struje.

### Sigurnosne upute specifične za uređaj

- Uređaj se ne smije koristiti u unutrašnjim prostorijama.
- Uređaj se ne smije koristiti u blizini bazena, vrtnih jezera itd.
- Uređaj za vrijeme pogona nemojte pomicati.
- Uređaj za vrijeme pogona nemojte naginjati.
- Nikada ne gurajte predmete u uređaj kroz ventilacijsku rešetku. Životna opasnost!
- Razmak između ventilacijskih rešetki i zapaljivih predmeta mora iznositi najmanje 75 cm.
- Uređaj se ne smije prekrivati. Postoji opasnost od požara.



- Uređaj se mora postaviti na vodoravnu podlogu tako da bude slobodan sa svih strana. Uvijek je potrebno poštovati sigurnosne razmake.
- Uređaj se ne smije izlagati vodi ili drugim tekućinama.
- Grijalicu nikada nemojte koristiti sa vremenskim prekidačem ili nekim drugim prekidačem, koji uređaj automatski uključuje, pošto inače postoji opasnost od požara.
- Grijalica se ne smije postavljati neposredno ispod zidne utičnice.
- Simboli koji se nalaze na uređaju ne smiju se uklanjati. Upute na uređaju koje više nisu čitljive potrebno je odmah zamijeniti.

## Čišćenje

- Isključite uređaj i pustite ga da se potpuno ohladi.
- Iskopčajte mrežni utikač.
- Obrišite uređaj lagano navlaženom krpom.
- Za čišćenje grijaćih šipki i reflektora koristite kist sa dugim mekanim vlaknima.



## Odlaganje na otpad

Uređaji opremljeni oznakom sa simbolom pokraj ne smiju se odlagati zajedno sa kućnim otpadom iz domaćinstva. Električnu i elektronsku opremu takvog tipa treba odlagati odvojeno. Odvojeno odlaganje znači da se stara EE oprema preda za reciklažu ili druge načine ponovnog korištenja. Time se sprječava u određenim slučajevima dospijevanje štetnih materijala u životnu sredinu.

U domaćinstvu:

simbol WEEE koji se nalazi na proizvodu i/ili u njegovoj dokumentaciji znači da se istrošena električna i elektronska oprema ne smije miješati zajedno sa kućnim otpadom iz domaćinstva. Radi pravilne prerade, ponovnog korištenja i reciklaže besplatno predajte ovaj proizvod odnosno ove proizvode na mjestu za selektivno sakupljanje komunalnog otpada.

Pravilno odlaganje ovog proizvoda pomaže štedjeti resurse te sprječava sve potencijalno negativne efekte po ljudsko zdravlje i životnu sredinu koje bi mogle nastati zbog nepravilnog odlaganja otpada. Za više informacija o najbližem mjestu za selektivno sakupljanje komunalnog otpada, kontaktiraj lokalnu samoupravu. Uklanjanje otpada suprotno lokalnim propisima države može rezultirati kaznom.

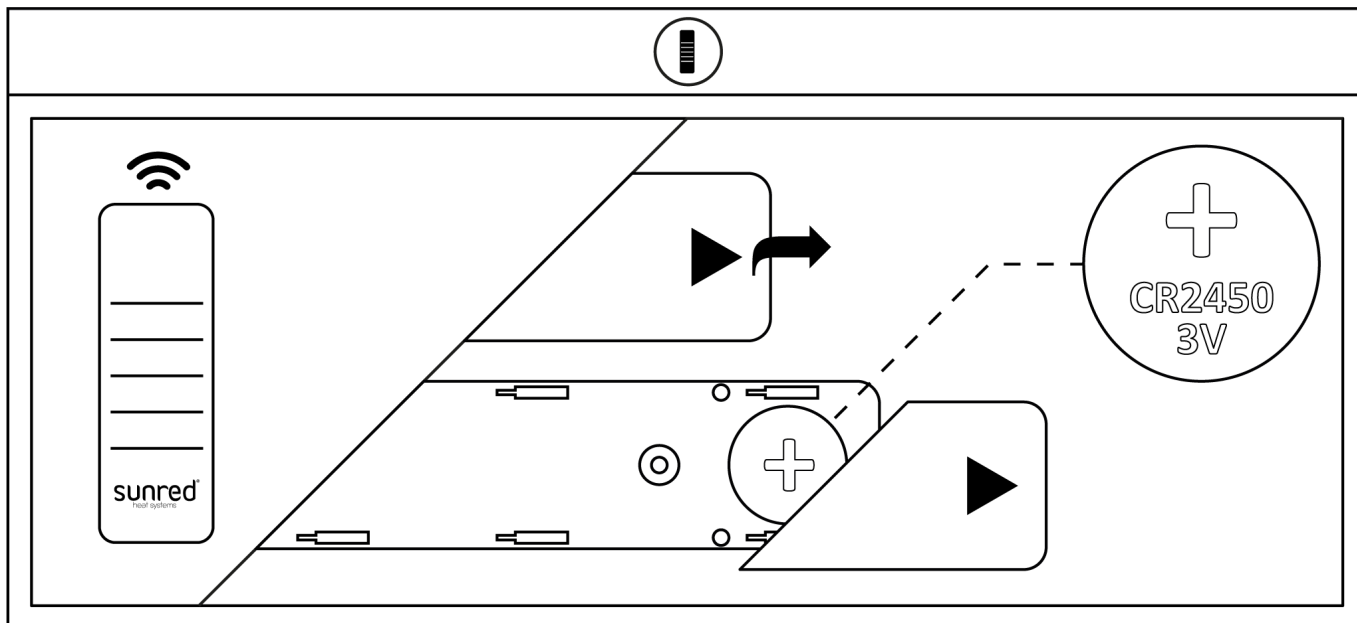
U slučaju korisnika koji vode privrednu djelatnost na području Evropske Unije i žele se riješiti istrošene EE opreme (WEEE) kontaktirajte prodavača ili dobavljača opreme radi daljnjih informacija.

U slučaju odlaganja izvan Evropske Unije:

ovaj simbol važi samo u zemljama članicama EU. Ukoliko želiš baciti ovaj proizvod kontaktiraj lokalnu samoupravu ili prodavača te zatraži informacije o pravilnom načinu odlaganja.

## Odlaganje pakovanja na otpad

Pakovanje se sastoji od kartona i odgovarajuće označenih umjetnih materijala koji se mogu reciklirati.



## Uređaj se napaja baterijama

### Opšta pravila za bezbjednost

- Baterije CR2450 3v. Baterija nije dostavljena zajedno s uređajem.
- Baterije se stavljaju i vade prema gore prikazanoj shemi.
- Jednokratne baterije se ne smiju puniti.
- Prije punjenja akumulatori se moraju izvaditi iz uređaja.
- Ne smiju se pomiješati razne tipove baterija, kao i koristiti nove i rabljene baterije zajedno.
- Kod stavljanja baterija voditi računa o pravilnoj polarizaciji.
- Istrošene baterije izvaditi iz uređaja i ukloniti na pravilan način.
- Ukoliko uređaj se neće koristiti dulje vrijeme, baterije se moraju izvaditi.
- Stezaljke napajanja ne mogu biti zatvorene.

**UPOZORENJE:** Ako se grijalica isključuje pomoću daljinskog upravljača prelazi u stanje 'spremnosti'. Ako se grijalica ne koristi treba je isključiti pomoću prekidača, te izvući utikač iz utičnice.



## GARANTNI LIST



### 2 godine ograničene garancije

Popunite ovaj obrazac i pošaljite ga faksom na ispod navedene brojeve ili mailom. Ukoliko je proizvod neispravan, molimo, vratite ga prodavcu, zajedno sa dokazom kupovine.

- Molimo priložite fotokopiju/skeniranu potvrdu o kupovini.
- Molimo priložite slike/snimke i opis neispravnog ili oštećenog proizvoda.

Vaše prezime:

Adresa:

Adresa e-pošte:

Poštanski broj:

Broj modela:

Broj serije

Batch:

koji se nalazi na nazivnoj

pločici pozadi uređaja

Datum kupnje:

Godina:

OutTrade B.V.  
Meeleweg 76  
7711 EP Nieuwleusen  
The Netherlands

Tel: +31-529—48 28 08  
Fax: +31-529—48 49 10

info@outtrade.eu  
www.outtrade.eu

Molimo opisati kvar:



## RO Radiator pentru terasă

### Traducere a instrucțiunilor originale

Stimată clientă/Stimat client,

Ne bucurăm de încrederea pe care ne-o acordați!

Înainte de prima punere în funcțiune citiți neapărat acest manual de utilizare! Aici găsiți indicații pentru exploatarea sigură și durata de viață lungă a aparatului. Respectați neapărat toate indicațiile privind siguranța din acest manual!

### Pentru deservirea cu acest manual de utilizare

Toate imaginile necesare se găsesc pe primele pagini ale acestui manual de utilizare. În cadrul descrierilor, sunteți ghidați prin trimiteri la imaginile corespunzătoare.

## Înainte de a începe...

### Utilizarea conform destinației aparatului

Aparatul corespunde nivelului științei și tehnicii, precum și prevederilor referitoare la securitatea muncii în cadrul utilizării sale conforme, în vigoare la data aducerii lui pe piață.

Aparatul este destinat ca radiator pentru zona exterioară acoperită.

Aparatul nu este adecvat utilizării industriale sau meșteșugărești.

Orice altă utilizare contravine scopului pentru care aparatul a fost creat. Prin utilizarea în alt scop a pompei, prin modificarea acesteia sau prin utilizarea de piese de schimb neverificate și aprobate de către producătorul acestui aparat, se pot înregistra defecțiuni neprevăzute!

Orice utilizare care nu este corespunzătoare destinației aparatului, resp. toate acțiunile la aparat care nu sunt descrise în acest manual de utilizare, constituie o utilizare greșită și nepermisă, aflată în afara limitelor de răspundere legală a producătorului.







## Pentru siguranța dv.

### Instrucțiuni generale de siguranță

- Copiii cu vârsta cuprinsă între 3 și 8 ani pot porni/opri dispozitivul, cu condiția ca acesta să fie amplasat sau instalat în poziția sa definitivă, iar copiii să fie sub supravegherea unei persoane responsabile sau au fost instruiți cu privința la utilizarea în siguranță a dispozitivului și că cunosc și înțeleg toate riscurile legate de utilizarea dispozitivului. Copiii cu vârsta între 3 și 8 ani nu trebuie să conecteze dispozitiv la sursa de curent electric, să-i facă reglaje, să-l curețe și să efectueze întreținerea adecvată.
- În cazul în care încălzitoarele de terasă sunt montate pe un loc mai ridicat, încălzitorul trebuie instalat la cel puțin 1,8 m deasupra podelei. (Se aplică încălzitoarelor de terasă montate pe perete și celor suspendate).
- Copiii cu vârsta sub 3 ani nu trebuie lăsați nesupravegheați lângă dispozitiv.
- Copiii cu vârsta cuprinsă între 3 și 8 ani pot porni/opri dispozitivul, cu condiția ca acesta să fie amplasat sau instalat în poziția sa definitivă, iar copiii să fie sub supravegherea unei persoane responsabile sau au fost instruiți cu privința la utilizarea în siguranță a dispozitivului și că cunosc și înțeleg toate riscurile legate de utilizarea dispozitivului. Copiii cu vârsta între 3 și 8 ani nu trebuie să conecteze dispozitiv la sursa de curent electric, să-i facă reglaje, să-l curețe și să efectueze întreținerea adecvată.
- Copiii cu vârsta de la 3 ani la 8 ani pot porni/opri dispozitivul numai în cazul în care acesta a fost plasat sau instalat în poziția sa normală de funcționare și în timpul funcționării încălzitorului sunt supravegheați sau au primit instrucțiuni privind modul de utilizare a dispozitivului în condiții de siguranță fiind în măsură să înțeleagă riscurile legate de aceste operațiuni.
- Copiii cu vârsta de la 3 la 8 ani nu pot conecta, regla sau curăța dispozitivul și nu pot efectua operațiunile de întreținere care trebuie realizate de utilizator.
- În cazul în care cablul de alimentare este deteriorat, pentru a evita pericolele, acesta trebuie înlocuit de producător, tehnicianul de service sau de o persoană calificată corespunzător.
- Nu acoperiți niciodată dispozitivul cu haine sau obiecte inflamabile. Acest lucru va produce supraîncălzirea dispozitivului, ceea ce poate provoca un incendiu.
- Distanța dintre duzele de ventilație și obiectele inflamabile trebuie să fie de cel puțin 75 cm.
- Păstrați atenție când instalați produsul lângă perdele sau alte materiale inflamabile. Păstrați o distanță minimă de 75 cm.





## Pentru siguranța dv.

### Instrucțiuni generale de siguranță

- Pentru o folosire sigură a acestui aparat, utilizatorul trebuie să citească și să înțeleagă acest manual de folosire înainte de prima utilizare.
- Respectați toate instrucțiunile de siguranță! În cazul în care nu respectați instrucțiunile de siguranță vă puneți pe dv și pe alții în pericol.
- Păstrați toate instrucțiunile de folosire și indicațiile de siguranță pentru utilizările viitoare.
- Dacă vindeți sau transmiteți altcuiva aparatul, înmânați-i neapărat și acest manual de folosire.
- Aparatul poate fi utilizat numai dacă este în stare ireproșabilă. Dacă aparatul sau o parte a acestuia e defectă, acesta trebuie scos din uz și dezafectat în mod corespunzător.
- Nu utilizați aparatul în spații cu pericol de explozie sau în apropierea lichidelor inflamabile sau gazelor!
- Asigurați întotdeauna aparatul deconectat contra pornirii neintenționate.
- Nu utilizați dispozitive, la care comutatorul Pornire/Oprire nu funcționează regulamentar.
- Țineți copiii la distanță de aparat! Depozitați aparatul în siguranță față de copii și față de persoane neautorizate.
- Nu suprasolicitați aparatul. Aparatul trebuie să fie utilizat numai în scopul prevăzut pentru el.
- Lucrați întotdeauna cu precauție și într-o stare corespunzătoare: oboseala, boala, consumul de alcool, influența medicamentelor și drogurilor reprezintă iresponsabilitate, deoarece nu mai puteți utiliza în deplină siguranță aparatul.
- Acest aparat nu trebuie utilizat de persoane (inclusiv copii) cu capacități fizice, senzoriale sau psihice reduse sau lipsite de experiență și/sau cunoștințe, decât dacă sunt supravegheate pentru propria siguranță de către o persoană corespunzătoare sau dacă au primit instrucțiuni despre cum se utilizează aparatul.
- Asigurați-vă că, copii nu se joacă cu aparatul.
- Respectați întotdeauna prevederile naționale și internaționale privind siguranța, sănătatea și lucrul.

### Siguranța electrică

- Aparatul se va conecta numai la o priză cu contact de protecție instalat în mod corespunzător.
- Protecția se va realiza cu ajutorul unui comutator de protecție pentru curent de defect (comutator FI), cu un curent de defect măsurat sub 30 mA.
- Înainte de cuplarea aparatului, trebuie asigurat că racordul la rețea corespunde datelor de racordare a aparatului.
- Aparatul se va utiliza numai în cadrul limitelor indicate de tensiune, putere și turație nominală (a se vedea plăcuța de fabricație).
- Nu prindeți ștecherul de rețea cu mâna udă! Trageți ștecherul de rețea întotdeauna de ștecher și nu de cablu.
- Nu îndoiiți, nu striviți, nu smulgeți sau nu pășiți pe cablul de rețea; protejați împotriva marginilor ascuțite, uleiului și căldurii.
- Nu ridicați aparatul de cablu, respectiv nu utilizați cablul în niciun alt scop.
- Controlați înaintea fiecărei utilizări ștecherul și cablul.
- În cazul deteriorării cablului de rețea, scoateți imediat ștecherul de rețea din priză. Nu utilizați niciodată mașina cu cablul de rețea deteriorat.
- Când mașina nu se utilizează, scoateți întotdeauna ștecherul din priză.
- Înaintea introducerii ștecherului în priză, asigurați-vă că aparatul este deconectat.
- Decuplați întotdeauna aparatul înaintea scoaterii ștecherului de la rețea.
- În timpul transportului scoateți aparatul de sub tensiune.

### Indicații de siguranță specifice aparatului

Folosirea aparatului nu este permisă în spații interioare.

Este interzisă utilizarea aparatului în apropierea piscinelor, iazurilor de grădină etc.

Nu mișcați aparatul în timpul funcționării.

Nu înclinați aparatul în timpul funcționării.



- Nu introduceți obiecte în aparat prin grilajul de ventilație. Pericol de moarte!
- Distanța dintre grilajul de ventilație și obiectele inflamabile trebuie să măsoare cel puțin 75 cm.
- Este interzisă acoperirea aparatului. Există pericol de incendiu.
- Aparatul trebuie să stea pe un suport orizontal, neted, liber de jur împrejur. Distanțele de siguranță trebuie respectate întotdeauna.
- Nu expuneți niciodată aparatul apei sau altor lichide.
- Nu utilizați radiatorul cu un temporizator sau cu un alt comutator, care pornește aparatul automat, deoarece în caz contrar există pericol de incendiu.
- Nu amplasați radiatorul direct sub priza de perete.
- Nu este voie să se îndepărteze sau să se acopere simbolurile lipite pe aparat. Instrucțiunile de pe aparat care nu se mai pot citi trebuie să se înlocuiască imediat.

## Curățarea

- Opriți aparatul și lăsați-l să se răcească complet.
- Scoateți ștecărul din priză.
- Ștergeți dispozitivul cu o lavetă ușor umedă.
- Pentru curățarea elementelor de încălzire și a reflectorului, utilizați o pensulă cu perii lungi, moi.



## Îndepărtarea deșeurilor

Dispozitivele prevăzute cu etichetă cu simbolul de alături nu pot fi aruncate ca deșeuri menajere. Astfel de echipamente electrice și electronice uzate trebuie eliminate separat. Eliminarea separată înseamnă retrimiteră echipamentelor vechi la reciclare sau la alte forme de reutilizare. În acest fel, puteți evita, în unele cazuri, pătrunderea materialelor dăunătoare în mediu.

În cazul gospodăriilor casnice:

Simbolul WEEE amplasat pe produs și/sau în documentația acestuia indică faptul că echipamentele electrice și electronice uzate nu pot fi amestecate cu deșeurile menajere generale. Pentru prelucrarea, recuperarea și reciclarea corespunzătoare, vă rugăm să predați acest produs sau produse la centrele desemnate pentru colectarea separată a deșeurilor municipale.

Eliminarea corectă a acestui produs va ajuta la economisirea resurselor valoroase și la prevenirea oricăror efecte negative potențiale pentru sănătatea umană și mediul, care, în cazul opus, ar putea să apară ca urmare a manipulării necorespunzătoare a deșeurilor. Pentru mai multe informații despre cel mai apropiat centru desemnat pentru colectarea separată a deșeurilor municipale, contactați instituția de colectivitate locală. În cazul în care deșeurile sunt eliminate cu încălcarea reglementărilor naționale se poate impune o sancțiune.

Utilizatorii care desfășoară o activitate comercială pe teritoriul Uniunii Europene și doresc să elimine echipamentele electrice și electronice uzate (WEEE), trebuie să contacteze vânzătorul sau furnizorul de echipamente pentru mai multe informații.

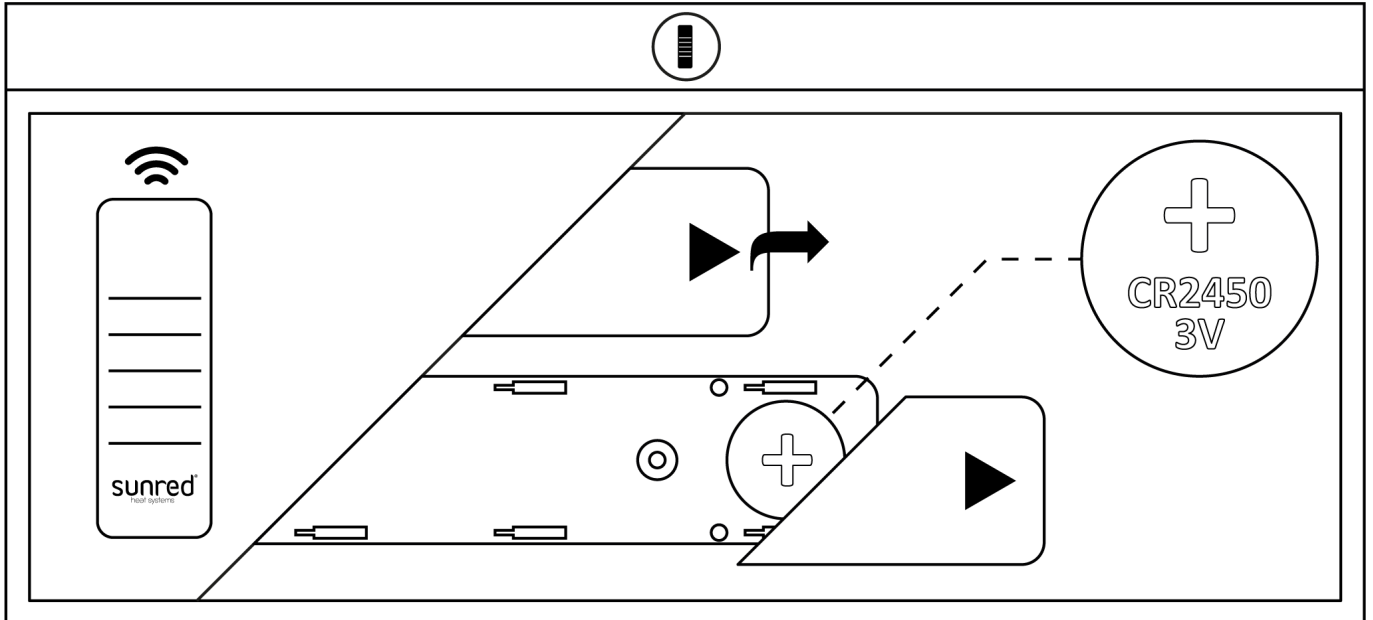
În caz de eliminare în țările din afara Uniunii Europene:

acest simbol este valabil numai în țările Uniunii Europene (UE). Dacă doriți să aruncați acest produs, contactați colectivitatea locală sau vânzătorul și solicitați-i să vă comunice metoda corectă de eliminare.

## Îndepărtarea ca deșeu a ambalajului

Ambalajul este format din carton și materiale plastice marcate corespunzător, care pot fi reciclate.

- Dirijați aceste materiale către revalorificarea lor.



## Dispozitiv alimentat de baterie

### Regulile generale de siguranță

- Instalați și scoateți bateriile în conformitate cu schema prezentată mai sus.
- Nu reîncărcați bateriile de unică folosință.
- Scoateți acumulatorii din dispozitiv înainte de încărcare.
- Nu amestecați diferite tipuri de baterii și nu amestecați baterii noi cu cele uzate.
- Introduceți bateriile păstrând polaritatea corectă.
- Bateriile epuizate trebuie scoase din dispozitiv și eliminate în condiții de siguranță.
- În cazul în care dispozitivul urmează să fie neutilizat pentru o perioadă mai lungă de timp, scoateți bateriile.
- Bornele de alimentare nu trebuie scurtcircuitate.

**Avertisment:** Dacă încălzitorul este oprit cu telecomandă, acesta va intra în modul „standby”. În cazul în care încălzitorul nu este utilizat, opriți întotdeauna încălzitorul cu comutatorul de pornire/oprire și scoateți ștecherul din priză.



## TALON DE GARANTIE



### 2 ani de garanție limitată

Vă rugăm să completați prezentul formular și să-l trimiteți prin fax sau e-mail la numerele indicate mai jos. Dacă produsul se dovedește defect, vă rugăm să-l returnați vânzătorului împreună cu dovada de achiziție.

- Vă rog să atașați scan/copie a dovezii de achiziție.
- Vă rog să atașați fotografiile/imaginile și descrierea produsului defectuos sau deteriorat.

Numele dumneavoastră:

Adresă:

Adresa de e-mail:

Cod poștal:

Număr model:

Număr serie

Batch:

situat pe plăcuța de identificare din spatele dispozitivului

Data achiziției

An:

OutTrade B.V.  
Meeleweg 76  
7711 EP Nieuwleusen  
The Netherlands

Tel: +31-529—48 28 08  
Fax: +31-529—48 49 10

info@outtrade.eu  
www.outtrade.eu

Vă rog să descrieți defecțiunea:



## RU Обогреватель для террасы

### Перевод оригинального руководства по эксплуатации

Уважаемые покупатели!

Мы рады проявленному Вами доверию к нашей продукции!

Перед первой эксплуатацией прибора обязательно прочитайте инструкцию! В ней изложены все рекомендации для безопасного использования и продолжительного срока службы прибора. Обязательно соблюдайте все содержащиеся в инструкции по эксплуатации требования по технике безопасности!

### Пользование данным руководством по эксплуатации

Все необходимые изображения Вы найдете на первых страницах руководства. В описаниях Вы найдете указания, отсылающие Вас к соответствующим рисункам.

## Перед началом работы...

### Использование по назначению

На момент пуска в обращение это устройства соответствует уровню развития науки и техники, а также действующим правилам техники безопасности, в рамках его использования по назначению.

Нагревательный прибор предназначен для использования в крытой зоне вне помещений.

Он не предназначен для промыслового или промышленного применения.

Любое другое (нецелевое) использование прибора противоречит предписаниям. Нецелевым применением, внесением самостоятельных изменений в конструкцию либо использованием частей, которые не проверены и не допущены к применению производителем прибора, может быть нанесен непредсказуемый ущерб!

Любое использование не по назначению или любая, не описанная в этой инструкции деятельность, является ненадлежащим использованием, которое не входит в законные рамки ответственности производителя.





## Для Вашей безопасности

### Общие указания по безопасности

- Дети в возрасте от 3 до 8 лет могут включать/выключать прибор при условии, что его поместили или установили в целевом положении, а дети находятся под присмотром ответственного лица или были ознакомлены с безопасным использованием прибора, что они знают и понимают всю опасность, связанную с использованием прибором. Дети в возрасте от 3 до 8 лет не должны его включать, регулировать или чистить, а также не должны заниматься уходом за прибором, требуемым от пользователя.
- В случае установки обогревателей для террас на возвышениях, обогреватель должен быть установлен на высоте не менее чем 1,8 м над полом. (Для стоячих и настенных обогревателей).
- Дети в возрасте до 3 лет не должны находиться рядом с прибором без присмотра.
- Дети в возрасте от 3 до 8 лет могут включать/выключать прибор при условии, что его поместили или установили в целевом положении, а дети находятся под присмотром ответственного лица или были ознакомлены с безопасным использованием прибора, что они знают и понимают всю опасность, связанную с использованием прибором. Дети в возрасте от 3 до 8 лет не должны его включать, регулировать или чистить, а также не должны заниматься уходом за прибором, требуемым от пользователя.
- Дети в возрасте от 3 лет до 8 лет могут включать / выключать устройство только при условии, что оно было размещено или установлено в предусмотренном нормальном рабочем положении. Во время обслуживания обогревателя дети должны находиться под наблюдением или получить разъяснения как безопасно использовать устройство, и они должны понимать связанные с этим риски.
- Дети в возрасте от 3 до 8 лет не могут подключать, регулировать и чистить устройство или выполнять техническое обслуживание, предусмотренное для выполнения пользователем.
- Если шнур питания поврежден, чтобы избежать опасности, его следует заменить. Замену должен выполнить производитель, его сервисный представитель или соответствующее квалифицированное лицо.
- Никогда не накрывайте устройство одеждой или любыми другими легковоспламеняющимися предметами. Это приведет к перегреву устройства, что может вызвать пожар.
- Расстояние между вентиляционными отверстиями и легковоспламеняющимися предметами должно быть не менее 75 см.
- Будьте осторожны при установке устройство вблизи штор и других горючих материалов. Необходимо сохранить расстояние не менее чем 75 см.





## Для Вашей безопасности

### Общие указания по безопасности

- Для надежного обращения с этим устройством пользователь должен прочесть перед первым использованием это руководство по эксплуатации.
- Соблюдайте все указания по мерам безопасности! Если Вы пренебрежете указаниями по соблюдению мер безопасности, Вы подставите под угрозу себя и других.
- Сохраняйте инструкцию по эксплуатации и указания по безопасности для будущего использования.
- Если Вы продаёте устройство или передаёте его кому-то, обязательно прилагайте к нему инструкцию по эксплуатации.
- Прибор допускается к использованию только в исправном состоянии. При поломке устройства или одной из его частей его следует вывести из эксплуатации и утилизировать согласно предписаниям.
- Не используйте прибор в помещениях со взрывоопасной обстановкой, а также вблизи горючих жидкостей или газов!
- Выключенное устройство следует блокировать от случайного включения.
- Не используйте приборы, у которых выключатель не работает должным образом.
- Не подпускайте к устройству детей! Храните устройство в недоступном для детей и посторонних лиц месте.
- Не перегружайте устройство. Используйте устройство только для предназначенных целей.
- Работать следует осторожно и в хорошем состоянии: В результате усталости, болезни, алкогольного или наркотического опьянения, а также медикаментозного воздействия Вы не в состоянии безопасно пользоваться прибором.
- Устройство не предназначено для использования лицами (включая детей) с ограниченными физическими, сенсорными или умственными способностями/лицами с недостаточным опытом и/или знаниями, за исключением случаев, когда они находятся под присмотром лица, ответственного за их безопасность, или получили от такого лица инструкции по использованию устройства.
- Не допускайте, чтобы дети играли с прибором.
- Необходимо всегда соблюдать действующие национальные и международные правила техники безопасности, охраны здоровья и рабочие инструкции.

### Электробезопасность

- Прибор разрешается подключать только к штепсельной розетке, оборудованной исправным защитным контактом.
- Подключение инструмента следует производить через дифференциальный автомат, срабатывающий при появлении тока утечки не более 30 мА.
- Перед включением прибора в сеть необходимо убедиться, что электроснабжение в сети соответствует требованиям электропитания прибора.
- Прибор допустимо использовать только в случае, если значения напряжения, мощности и номинальной скорости вращения не превышают максимально допустимые, указанные на табличке с основными техническими данными.
- Не брать сетевую вилку мокрыми руками! Вытаскивать сетевую вилку за вилку, а не за кабель.
- Не перегибайте, не сдавливайте, не дергайте и не переезжайте через сетевой кабель; берегите от контакта с острыми краями, маслами и высокой температурой.
- Не поднимайте прибор, держа за кабель; не используйте кабель в целях, для которых он не предназначен.
- Перед каждым использованием проверяйте штекер и кабель.
- В случае повреждения шнура питания немедленно отсоедините его от сети, вытащив штепсельную вилку. Никогда не используйте поврежденный сетевой кабель.
- Если прибор не используется, он должен всегда быть выключен из сети.
- Прежде чем подключить прибор к источнику электропитания, убедитесь, что он выключен.
- Перед тем, как вытащить штепсель из розетки, всегда выключайте прибор.
- При транспортировке прибор обесточивается.

### Указания по безопасности для данного прибора

- Прибором нельзя пользоваться в закрытых помещениях.





- Прибором нельзя пользоваться рядом с бассейнами, садовыми прудами и т.п.
- Не перемещать прибор во время работы.
- Не наклонять прибор во время работы.
- Ни в коем случае не вводить предметы через вентиляционную решётку в прибор. Опасно для жизни!
- Расстояние между вентиляционной решёткой и горючими предметами должно составлять не менее 75 см.
- Прибор нельзя накрывать. Опасность пожара!
- Прибор должен стоять отдельно, на ровном горизонтальном основании. Безопасные расстояния до ближайших предметов обязательно должны соблюдаться.
- Ни в коем случае не допускать попадания на прибор воды или других жидкостей.
- Не используйте нагревательный прибор с таймером или с другим выключателем, автоматически включающим прибор, т.к. это ведёт к опасности возникновения пожара.
- Нагревательный прибор нельзя устанавливать непосредственно под стенной розеткой.
- Символы, которые находятся на приборе, нельзя удалять или закрывать. Указания на приборе, ставшие неразборчивыми, необходимо немедленно поменять на новые.

#### Чистка

- Выключить прибор и дать ему полностью остыть.
- Вынуть сетевую вилку.
- Протереть прибор слегка влажной салфеткой.
- Для чистки нагревательных стержней и отражателя используйте кисть с длинной мягкой щетиной.

#### Утилизация

##### Утилизация устройства

Приборы, которые обозначены этим символом, нельзя выбрасывать в обычный контейнер. Вы должны утилизировать старое электрическое и электронное оборудование отдельно. Отдельная утилизация означает отправку старого оборудования на переработку или другие формы повторного использования. Таким образом, в некоторых случаях, можно избежать попадания вредных веществ в окружающую среду.

Для частных домохозяйств:

символ WEEE, который размещен на изделии и / или в документах, означает, что старое электрическое и электронное оборудование нельзя смешивать с общими бытовыми отходами. Для надлежащей обработки, утилизации и переработки, пожалуйста, доставьте этот продукт (ы) в специально отведенные

пункты раздельного сбора отходов.

Правильная утилизация данного продукта поможет сэкономить ценные ресурсы и предотвратить разные возможные неблагоприятные последствия для здоровья человека и окружающей среды, которые могут возникнуть в результате ненадлежащего обращения с отходами. Пожалуйста, свяжитесь с местными органами власти для получения более подробной информации о ближайшем пункте раздельного сбора отходов. Неправильная утилизация этих отходов может повлечь за собой наложение штрафа.

Пользователи, которые осуществляют предпринимательскую деятельность на территории Европейского Союза и хотят избавиться от старого электрического и электронного оборудования (WEEE), должны обратиться к продавцу или поставщику оборудования для получения дальнейшей информации.

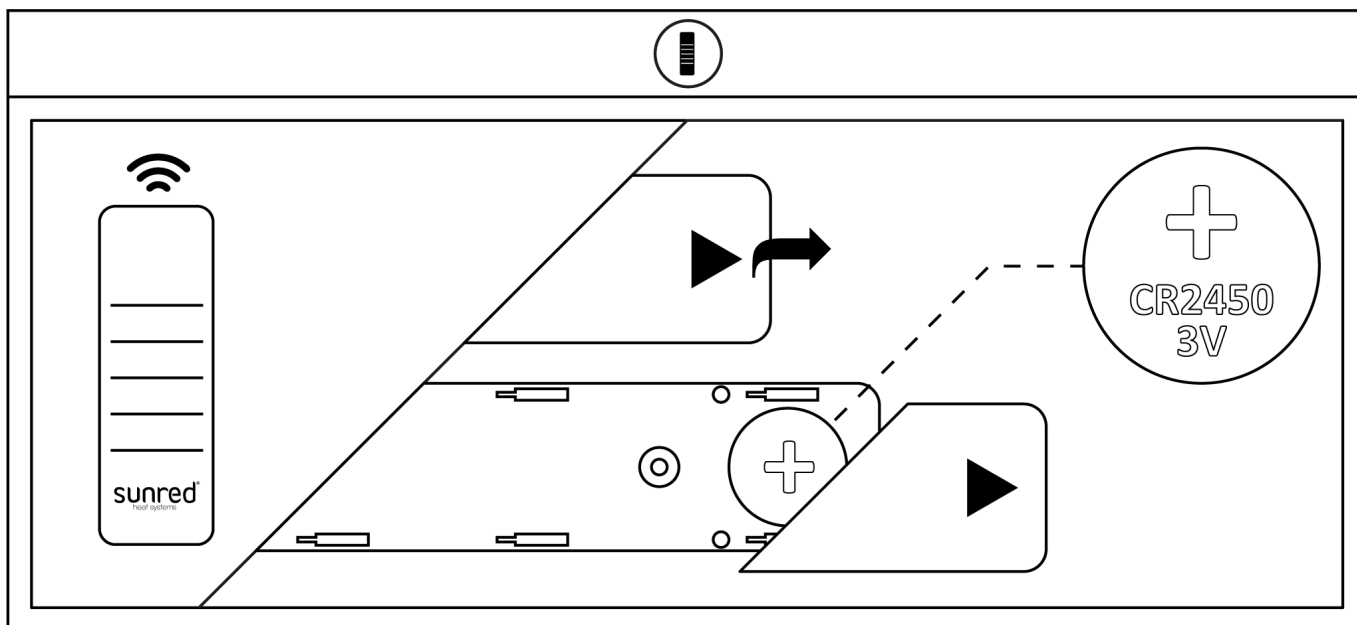
Для утилизации в странах за пределами Европейского Союза:

этот символ действителен только в странах Европейского союза (ЕС). Если Вы хотите выбросить этот продукт, пожалуйста, свяжитесь с местными властями или продавцом для получения информации о правильной утилизации.

#### Утилизация упаковки

Упаковка состоит из картона и соответствующим образом обозначенного пластика, которые могут подвергаться переработке.

- Позаботьтесь о том, чтобы эти материалы были переданы для вторичной переработки.



## Устройство с батарейным питанием

### Общие правила безопасности

- Устанавливайте и извлекайте батарейки в соответствии с приведенной выше схемой.
- Одноразовые батарейки нельзя заряжать.
- Перед зарядкой извлекайте аккумуляторы из устройства.
- Не смешивайте различные типы батареек и не смешивайте новые и использованные батарейки.
- Вставляйте батарейки правильно – с соблюдением полярности.
- Выньте разряженные батарейки из устройства и безопасно их утилизируйте.
- Если устройство не используется в течение длительного времени, извлеките батарейки.
- Клеммы питания не могут быть замкнуты.

**Предупреждение:** Если обогреватель будет выключен с помощью пульта дистанционного управления, он перейдет в режим ожидания. Если обогреватель не используется, всегда выключайте обогреватель с помощью выключателя / выключателя и вынимайте вилку из розетки.



## ГАРАНТИЙНЫЙ ТАЛОН



### 2 года ограниченной гарантии

Прошу заполнить приведенную ниже форму и переслать её по номеру факсу, который указан ниже, или по электронной почте. Если изделие бракованное, прошу вернуть его продавцу вместе с товарным или кассовым чеком.

- Прошу добавить скан / копию товарного или кассового чека.
- Прошу добавить фотографии и описание бракованного или поврежденного изделия

Ваша фамилия:

Адрес:

Адрес электронной почты:

Индекс:

Модель №:

Заводской номер:

серия :

находится на  
идентификационной табличке на  
задней части прибор

Дата покупки:

Год:

OutTrade B.V.  
Meeleweg 76  
7711 EP Nieuwleusen  
The Netherlands

Tel: +31-529—48 28 08  
Fax: +31-529—48 49 10

info@outtrade.eu  
www.outtrade.eu

Прошу описать дефект:



## UA Обігрівач для тераси

### Переклад оригінальної інструкції з експлуатації

Шановна клієнтка, шановний клієнт!

дякуємо вам за довіру!

Перед першим запуском в експлуатацію обов'язково прочитайте цю інструкцію з експлуатації! В ній Ви знайдете всі вказівки стосовно безпечної і тривалої експлуатації Вашого приладу. Обов'язково дотримуйтеся всіх вказівок з техніки безпеки, що містяться в цій інструкції!

### Використання цієї інструкції з експлуатації

Всі необхідні малюнки Ви знайдете в інструкції на першій сторінці. В описах Ви знайдете вказівки, які направлять Вас до відповідних малюнків.

## Перед початком роботи...

### Використання за призначенням

Пристрій відповідає сучасному стану науки та техніки, а також діючим правилам безпеки в момент його введення в експлуатацію згідно призначення.

Нагрівальний прилад призначений для використання в критій зоні поза приміщеннями.

Прилад не призначається для виробничого застосування.

Будь-яке інше використання вважається таким, що не відповідає призначенню. Використання приладу не за призначенням, зміни в приладі і використання частин, що не були перевірені і допущені вироблювачем, може призвести до непередбаченої шкоди!

Будь-яке використання не за призначенням або будь-яка діяльність, не передбачена даною інструкцією, вважаються неналежним використанням, яке не входить в законні рамки відповідальності виробника.





## Для Вашої безпеки

### Загальні вказівки з техніки безпеки

- Діти віком від 3 до 8 років можуть вмикати/вимикати пристрій за умови, що він розташований або встановлений у робочому положенні, а діти знаходяться під наглядом відповідальної особи або були ознайомлені з правилами безпечної експлуатації та знають і розуміють усі загрози, пов'язані з використанням пристрою. Діти віком від 3 до 8 років не повинні під'єднувати пристрій до електромережі, регулювати і чистити його, а також здійснювати передбачену профілактику і консервацію.
- У разі установки обігрівачів для терас на підвищеннях обігрівач повинен бути встановлений на висоті не менше ніж 1,8 м над підлогою. (Для стоячих та підвісних настінних обігрівачів).
- Забороняється залишати дітей віком до 3-х років поблизу пристрою без нагляду.
- Діти віком від 3 до 8 років можуть вмикати/вимикати пристрій за умови, що він розташований або встановлений у робочому положенні, а діти знаходяться під наглядом відповідальної особи або були ознайомлені з правилами безпечної експлуатації та знають і розуміють усі загрози, пов'язані з використанням пристрою. Діти віком від 3 до 8 років не повинні під'єднувати пристрій до електромережі, регулювати і чистити його, а також здійснювати передбачену профілактику і консервацію.
- Діти віком від 3 років до 8 років можуть вмикати / вимикати пристрій тільки за умови, що він був розміщений або встановлений в передбаченому нормальному робочому положенні. Під час обслуговування обігрівача діти мають перебувати під наглядом або отримати роз'яснення як безпечно використовувати пристрій і вони мають розуміти пов'язані з цим ризики.
- Діти віком від 3 до 8 років не можуть підключати, регулювати і чистити пристрій або виконувати технічне обслуговування, передбачене для виконання користувачем.
- Якщо шнур живлення пошкоджений, щоб уникнути небезпеки, його слід замінити. Заміну має виконати виробник, його сервісний представник або відповідна кваліфікована особа.
- Ніколи не накривайте пристрій одягом або будь-якими іншими легкозаймистими предметами. Це призведе до перегріву пристрою, що може викликати пожежу.
- Відстань між вентиляційними отворами і легкозаймистими предметами має бути не меншою ніж 75 см.
- Будьте обережні при встановленні пристрій поблизу штор та інших горючих матеріалів. Необхідно зберегти відстань не менше ніж 75 см.





## Для Вашої безпеки

### Загальні вказівки з техніки безпеки

- Для надійного використання даного приладу користувач повинен прочитати перед першим застосуванням дану інструкцію з експлуатації.
- Дотримуйтесь всіх вказівок з техніки безпеки! Якщо Ви нехтуєте вказівками з техніки безпеки, Ви наражаєте на небезпеку себе та оточуючих.
- Зберігайте інструкцію з експлуатації та вказівки з техніки безпеки для майбутнього використання.
- Якщо Ви бажаєте продати або передати прилад, обов'язково передайте інструкцію з експлуатації.
- Приладом дозволяється користуватися, лише якщо він повністю в порядку. Якщо прилад або його частина пошкоджені, його слід виключити і належним чином утилізувати.
- Не використовуйте прилад у приміщеннях, де існує небезпека вибуху, та поблизу від горючої рідини або горючих газів!
- Захищайте вимкнений прилад від випадкового вмикання.
- Не користуйтеся приладами, в яких вимикач не працює належним чином.
- Зберігайте прилад подалі від дітей! Зберігайте прилад в недоступному для дітей місці.
- Не перенавантажуйте прилад. Забороняється використовувати прилад не за призначенням.
- Працювати необхідно обережно та лише в належному стані: якщо Ви стомлені, хворі, вживали спиртне, ліки або наркотики, користуватися приладом безвідповідально, оскільки Ви не можете впевнено поводитися з приладом.
- Цей прилад не призначений для використання особами (в тому числі дітьми) з обмеженими фізичними, сенсорними чи розумовими здібностями чи особами, у яких немає достатньо досвіду і/чи знань, за винятком випадків, коли такі особи знаходяться під наглядом іншої відповідальної за їх безпеку особи, або одержали від неї вказівки щодо користування приладом.
- Не допускайте, щоб діти грали з приладом.
- Завжди дотримуйтесь діючих національних та міжнародних наказів щодо безпеки, охорони здоров'я та праці.

### Електрична безпека

- Дозволяється вмикати прилад лише в розетку з належним захисним заземленням.
- Прилад потребує захисного вимикача від струмів пошкодження (захисний автомат FI) з номінальним аварійним током макс. 30 мА.
- Перед підключенням приладу треба впевнитися у тому, що мережне живлення відповідає параметрам приладу.
- Прилад дозволяється використовувати лише в межах зазначеної напруги, потужності і номінальної кількості обертів (див. заводську таблицю).
- Не торкайтесь мережевого штекера вологими руками! Не тягніть за кабель.
- Не перегинайте мережний шнур, не передавлюйте його та не наїдьте на нього; захищайте його від гострих країв, олії та спеки.
- Не піднімайте прилад за шнур і не використовуйте шнур для інших не передбачених цілей.
- Перед кожним використанням перевіряйте штекер та кабель.
- При пошкодженні шнура живлення одразу витягніть штепсель. Ніколи не користуйтеся приладом, якщо пошкоджений шнур живлення.
- Витягуйте штепсель із розетки, коли Ви саме не користуєтесь приладом.
- Перед тим, як встромляти штепсель у розетку, впевніться, що прилад вимкнений.
- Перед тим, як витягувати штепсель із розетки, завжди вимикайте прилад.
- Перед транспортуванням приладу вимикайте його живлення.

### Специфічні для Вашого приладу вказівки з техніки безпеки

- Приладом не можна користуватися в закритих приміщеннях.
- Приладом не можна користуватися поряд з басейнами, садовими ставками і т.п.



- Не переміщати прилад під час роботи.
- Не нахиляти прилад під час роботи.
- У жодному випадку не вводити предмети через вентиляційні ґрати в прилад. Небезпечно для життя!
- Відстань між вентиляційними ґратами і горючими предметами повинна складати не менше 75 см.
- Прилад не можна накривати. Небезпека пожежі!
- Прилад повинен стояти окремо, на рівній горизонтальній основі. Безпечні відстані до найближчих предметів обов'язково повинні дотримуватися.
- У жодному випадку не допускати попадання на прилад води або інших рідин.
- Не використовуйте нагрівальний прилад з таймером або з іншим вимикачем, що автома-тично включає прилад, оскільки це веде до небезпеки виникнення пожежі.
- Нагрівальний прилад не можна встановлювати безпосередньо під стінною розеткою.
- Символи, які знаходяться на приладі, не можна видаляти або закривати. Вказівки на приладі, що стали нерозбірливими, необхідно негайно поміняти на нові.

## Чищення

- Вимкнути прилад і дати йому повністю остигнути.
- Вийняти мережеву вилку.
- Протерти прилад злегка вологою серветкою.
- Для чищення нагрівальних стрижнів і відбивача використовуйте пензель з довгою м'якою щетиною.

## Утилізація



Прилади, які позначені цим символом, не слід викидати у контейнери з побутовими відходами. Ви повинні утилізувати старе електричне та електронне обладнання окремо. Окрема утилізація означає відправку старого обладнання на переробку або інші форми повторного використання. Таким чином, в деяких випадках, можна уникнути попадання шкідливих матеріалів в навколишнє середовище.

Для приватних домогосподарств:

символ WEEE, який розміщений на виробі та / або в документах, означає, що старе електричне та електронне обладнання не можна змішувати з загальними побутовими відходами. Для належної обробки, утилізації та переробки, будь ласка, доставте цей продукт (и) у спеціально відведені пункти роздільного збору відходів.

Правильна утилізація цього продукту допоможе зекономити цінні ресурси і запобігти будь-яким потенційним несприятливим наслідкам для здоров'я людини і навколишнього середовища, які можуть виникнути в результаті неналежного поводження з відходами. Будь ласка, зв'яжіться з місцевими органами влади для отримання більш докладної інформації про найближчий пункт роздільного збору відходів. Неправильна утилізація цих відходів може потягнути за собою накладення штрафу.

Користувачі, які здійснюють підприємницьку діяльність на території Європейського Союзу і бажають позбутися від старого електричного та електронного обладнання (WEEE) мають звернутися до продавця або постачальника обладнання для отримання подальшої інформації.

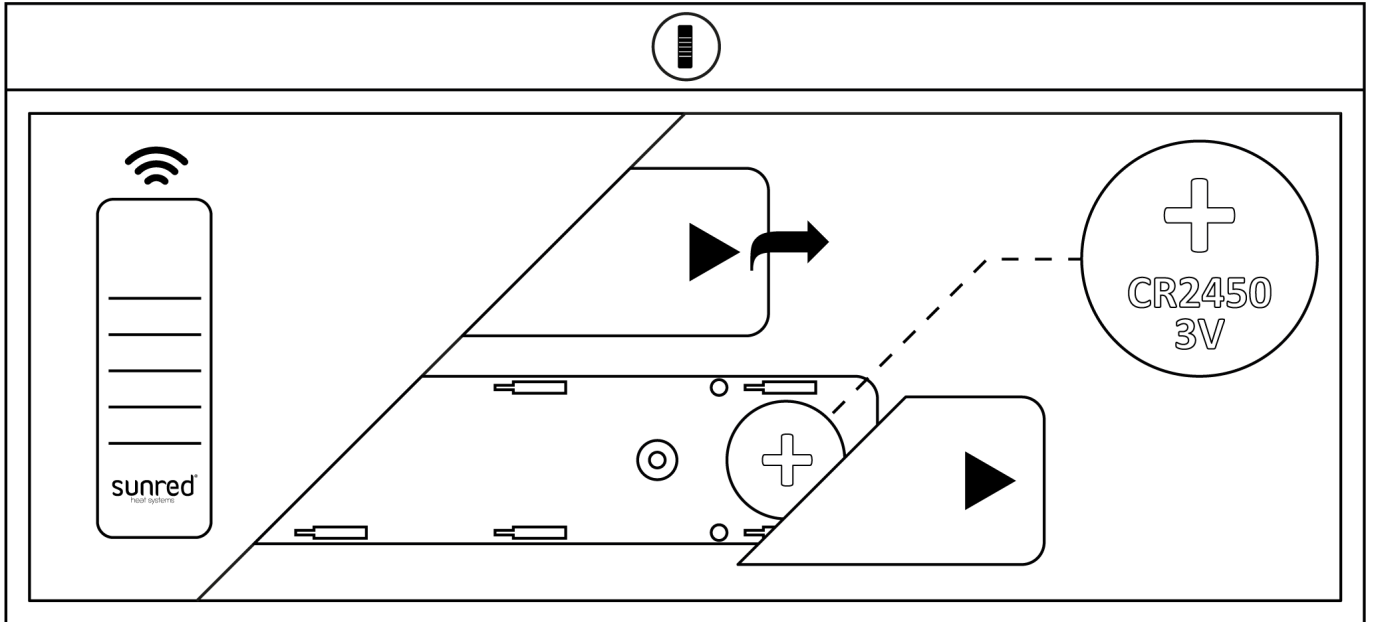
Для утилізації в країнах за межами Європейського Союзу:

цей символ дійсний тільки в країнах Європейського Союзу (ЄС). Якщо Ви хочете викинути цей продукт, будь ласка, зв'яжіться з місцевою владою або продавцем для отримання інформації щодо правильної утилізації.

## Утилізація упаковки

Упаковка складається з картону та відповідно позначеної пластмаси, які легко під-даються переробці.

- Забезпечте передачу цих матеріалів для вторинної переробки.



## Пристрій з батарейним живленням

### Загальні правила безпеки

- Встановлюйте та виймайте батарейки відповідно до наведеної вище схеми.
- Одноразові батарейки не можна заряджати.
- Перед зарядкою виймайте акумулятори з пристрою.
- Не змішуйте різні типи батарейок та не змішуйте нові і використані батарейки.
- Вставляйте батарейки правильно – із дотриманням полярності.
- Вийміть розряджені батарейки з пристрою і безпечно їх утилізуйте.
- Якщо пристрій не використовується протягом тривалого часу, вийміть батарейки.
- Клеми живлення не можуть бути замкнуті.

**Попередження:** Якщо обігрівач буде вимкнений за допомогою пульта дистанційного керування, він перейде в режим очікування. Якщо обігрівач не використовується, завжди вимикайте обігрівач за допомогою вмикача / вимикача і виймайте вилку з розетки.





## ГАРАНТІЙНИЙ ТАЛОН



### 2 роки обмеженої гарантії

Прошу заповнити наведену нижче форму і переслати її факсом, за номером, що вказаний нижче, або електронною поштою. Якщо виріб бракований, прошу повернути його продавцеві разом з товарним або касовим чеком.

- Прошу додати скан/копію товарного або касового чеку.
- Прошу додати світлини та опис бракованого або пошкодженого виробу.

Ваше прізвище:

Адреса:

Адреса електронної пошти:

Індекс:

Номер моделі:

Заводской номер:

серия:

знаходиться на ідентифікаційній  
табличці на задній частині приладу

Дата покупки :

Рік:

OutTrade B.V.  
Meeleweg 76  
7711 EP Nieuwleusen  
The Netherlands

Tel: +31-529—48 28 08  
Fax: +31-529—48 49 10

info@outtrade.eu  
www.outtrade.eu

Прошу описати дефект:



## DK patio varmeapparat

### Oversættelse af den originale betjeningsvejledning

Kære Kunder,

tak for Deres tillid!

Inden første opstart bedes De venligst læse nærværende betjeningsvejledning! Vejledningen indeholder anvisninger vedrørende sikkerhedsmæssigt forsvarlig brug af udstyret, som garanterer, at udstyret holder længe. Enhver form for sikkerhedsanvisninger indeholdt i denne vejledning skal under alle omstændigheder overholdes!

Oplysninger vedrørende brug af nærværende betjeningsvejledning

Alle de fornødne illustrationer findes på de første sider af denne vejledning. I teksten findes der henvisninger til de relevante illustrationer.

## Inden du går i gang ...

### Hensigtsmæssig anvendelse

Udstyret svarer til det aktuelle videnskabelige og tekniske niveau samt arbejdsmiljøregler, som der er gældende på tidspunktet for fremkomst på markedet indenfor hensigtsmæssig anvendelse.

Udstyret er beregnet til at blive brugt som et varmeapparat på udendørs, overdækkede steder.

Udstyret er ikke velegnet til erhvervmæssig eller industriel anvendelse.

Enhver anden anvendelse betragtes som uhensigtsmæssig. Uhensigtsmæssig anvendelse, indførelse af ændringer på udstyret eller brug af reservedele, som ikke er afprøvet og godkendt af producenten kan medføre uforudsigelige beskadigelser!

Enhver uhensigtsmæssig anvendelse eller enhver form for handlinger, som ikke blev beskrevet i denne betjeningsvejledning, udgør utilladt anvendelse, der ligger uden for producentens lovbestemte ansvarsområde.





## For Deres sikkerheds skyld

### Generelle sikkerhedsanvisninger

- Børn i alderen 3 – 8 år kan kun tænde/slukke for udstyret, hvis den er opstillet el. installeret i dens målposition og hvis de er under opsyn af en ansvarlig voksen el. er blevet instrueret i sikkerhedsmæssigt forsvarlig brug af udstyret, samt er bekendt med at forstå alle farer i forbindelse med brugen heraf. Børn i alderen 3 – 8 bør ikke tilslutte udstyret til elforsyningen, justere, rengøre det el. foretage nogen som helst vedligeholdelsesindgreb, som påhviler brugeren.
- I tilfælde af montering over gulvniveau, skal varmeren være placeret mindst 1,8 m over gulvet. (vedr. terrassevarmere til vægmontering og hængende terrassevarmere).
- Børn på under 3 år må ikke efterlades i nærheden af udstyret uden opsyn.
- Børn i alderen 3 – 8 år kan kun tænde/slukke for udstyret, hvis den er opstillet el. installeret i dens målposition og hvis de er under opsyn af en ansvarlig voksen el. er blevet instrueret i sikkerhedsmæssigt forsvarlig brug af udstyret, samt er bekendt med at forstå alle farer i forbindelse med brugen heraf. Børn i alderen 3 – 8 bør ikke tilslutte udstyret til elforsyningen, justere, rengøre det el. foretage nogen som helst vedligeholdelsesindgreb, som påhviler brugeren.
- Børn i alderen 3-8 må kun tænde/slukke for apparatet, såfremt det er placeret el. monteret i dets tilsigtede, normale betjeningsposition, og såfremt apparatet betjenes under opsyn af en voksen el. børnene er blevet instrueret i sikker brug af apparatet og har forstået de farer og risici, der kan være forbundet med brugen af apparatet.
- Børn i alderen 3-8 skal ikke tilslutte, justere el. rengøre apparatet. Ej heller skal de udføre vedligeholdelsesopgaver, der påhviler brugeren.
- Hvis forsyningskablet er beskadiget, skal det udskiftes af fabrikanten, dets serviceagent eller lignende kvalificerede for at undgå fare.
- Apparatet må aldrig dækkes til, f.eks. med et stykke tøj el. brændbare genstande. Dette kan medføre overophedning af apparatet og følgelig brand.
- Sørg for, at der er en afstand på mindst 75 cm mellem ventilationsåbningerne og brændbare genstande.
- Udvis stor forsigtighed, hvis apparatet er placeret i nærheden af gardiner el. andre brandfarlige genstande. Sørg for, at der er en afstand på mindst 75 cm.





## For Deres sikkerheds skyld

### Generelle sikkerhedsanvisninger

- For at garantere sikkerhedsmæssigt forsvarlig betjening af udstyret skal brugeren læse og forstå betjeningsvejledningen inden førstegangs brug af udstyret.
- Alle arbejdsmiljøregler skal overholdes! Manglende overholdelse af arbejdsmiljøregler medfører fare for brugeren selv og for andre.
- Alle betjeningsvejledninger og sikkerhedsanvisninger gemmes til fremtidig reference.
- I tilfælde af salg eller overdragelse af udstyret skal nærværende betjeningsvejledning under alle omstændigheder medfølge.
- Udstyret må anvendes udelukkende på betingelse af, at det er i upåklagelig teknisk stand. Er udstyret eller en del heraf defekt skal udstyret tages ud af brug og bortskaffes på fagligt korrekt vis.
- Udstyret må ikke anvendes i lokaler, hvor der er eksplosionsfare eller i nærheden af brandfarlige væsker og gasser!
- Slukket udstyr skal altid sikres for at forhindre utilsigtet aktivering.
- Er afbryderen defekt må udstyret ikke anvendes.
- Lad ikke børn komme i nærheden af udstyret! Børn og uautoriserede personer må ikke have adgang til udstyret.
- Udstyret må ikke overbelastes. Udstyret må udelukkende anvendes i overensstemmelse med formålet.
- Arbejde må udelukkende udføres, mens man er i god kondi og under forudsætning af, at der udvises den fornødne agtpågivenhed. Personer, der er syge, trætte, under påvirkning af alkohol, lægemidler eller euforiserende stoffer er uansvarlige og er dermed ikke i stand til at anvende udstyret på en sikkerhedsmæssigt forsvarlig vis.
- Udstyret er ikke beregnet til at blive anvendt af personer (herunder børn), der befinder sig i begrænset fysisk, sensorisk eller psykisk tilstand eller der mangler erfaring og/eller viden, medmindre de er under tilsyn af ansvarlige personer og medmindre de blev af de pågældende personer instrueret omkring brugen af udstyret.
- Lad ikke børn anvende udstyret for legens skyld. • Gældende nationale og internationale arbejdsmiljøregler skal altid overholdes.

### El-sikkerhed

- Udstyret må udelukkende tilsluttes stikkontakter med korrekt monteret jordstik.
- Beskyttelse skal udføres ved hjælp af en beskyttende fejlstrømafbryder med beregningsmæssig fejlstrøm på ikke mere end 30 mA.
- Før tilslutning af udstyret kontrolleres, om nettilslutningen svarer til oplysninger vedrørende tilslutning af udstyret.
- Udstyret må udelukkende anvendes med det oplyste spændingsområde, effekt og nominel omdrejningshastighed (se mærkeplade).
- Stikket må ikke røres ved med våde hænder! Netledningen frakobles altid ved at trække i stikket og ikke i selve ledningen.
- Det er ikke tilladt at bøje og klemme netledningen eller køre hen over ledningen; ledningen beskyttes mod skarpe kanter, olier og varme.
- Udstyret må ikke løftes ved at holde i ledningen, ledninger må heller ikke anvendes til andre formål, som de ikke er beregnet til.
- Før hver brug kontrolleres stikket og ledningen.
- Er netledningen defekt skal stikket tages ud af kontakten med det samme. Brug aldrig udstyret med en defekt netledning.
- Er udstyret ikke i brug, skal stikket altid være udtaget fra kontakten.
- Før du sætter stikket i kontakten husk at forsikre dig om, at udstyret er slukket.
- Før du tager stikket ud af kontakten skal udstyret altid slukkes.
- Med henblik på transport skal udstyret frakobles strømmen.

### Udstyrsspecifikke anvisninger



- Udstyret må ikke anvendes i lukkede lokaler.
- Udstyret må ikke anvendes i nærheden af svømmehaller, havedamme osv.
- Udstyret må ikke bevæges under brug.
- Udstyret må ikke vippes under brug.
- Der må under ingen omstændigheder anbringes nogen genstande i udstyret igennem ventilationsgitteret. Livsfare!
- Afstanden mellem ventilationsgitteret og brandfarlige materialer bør udgøre mindst 75 cm.
- Udstyret må ikke tildækkes. Der er risiko for brand.
- Udstyret opstilles på et plant og vandret underlag. Omkring udstyret skal der være frit rum. Sikkerhedsafstanden skal altid overholdes.
- Udstyret må ikke udsættes for påvirkning af vand eller andre væsker.
- Pga. risikoen for brand må udstyret ikke køre med tidsafbryder eller en anden afbryder, der medfører automatisk aktivering.
- Udstyret må ikke opstilles direkte under stikkontakten på væggen.
- Det er forbudt at fjerne eller tildække symboler på udstyret. Ulæselige informationsskilte på udstyret udskiftes omgående.

## Rengøring

- Udstyret slukkes for og lades køle helt ned.
- Stikket udtages fra kontakten.
- Udstyret rengøres vha. en lettere fugtig klud.
- Til rengøring af varmelegemer og lygter anvendes en pensel med langt, blødt hår.

## Bortskaffelse



Apparater, som er forsynet med dette symbol, må ikke bortskaffes sammen med usorteret husholdningsaffald. Alt affald af elektrisk og elektronisk udstyr skal bortskaffes separat fra andet husholdningsaffald. Det betyder, at det gamle udstyr skal sendes til genbrug el. andre former for nyttiggørelse. På den måde kan du i visse tilfælde undgå, at farlige stoffer og materialer udledes til miljøet.

For husholdninger:

WEEE-symbolet på produktet og/eller på den tilhørende dokumentation betyder, at et gammelt elektrisk og elektronisk udstyr ikke må bortskaffes som almindeligt husholdningsaffald.

Dette produkt el. disse produkter skal afleveres vederlagsfrit til den kommunale ordning for særskilt indsamling med henblik på korrekt genforarbejdning, nyttiggørelse og genanvendelse.

Korrekt bortskaffelse af produktet vil medvirke til en skånsom omgang af ressourcerne og modvirke den potentielle sundheds- og miljøbelastning, som skyldes håndtering af affald på en uforsvarlig vis. Ønsker du nærmere oplysninger om den nærmeste kommunale ordning for særskilt indsamling, kontakt venligst den lokale kompetente myndighed. Bortskaffelse af affald i strid med de nationale bestemmelser på området kan medføre en bøde.

Brugere, der handler som led i erhvervsvirksomhed i EU, og ønsker at bortskaffe et gammelt elektrisk og elektronisk udstyr (WEEE), skal kontakte sælgeren el. leverandøren af udstyret for nærmere oplysninger.

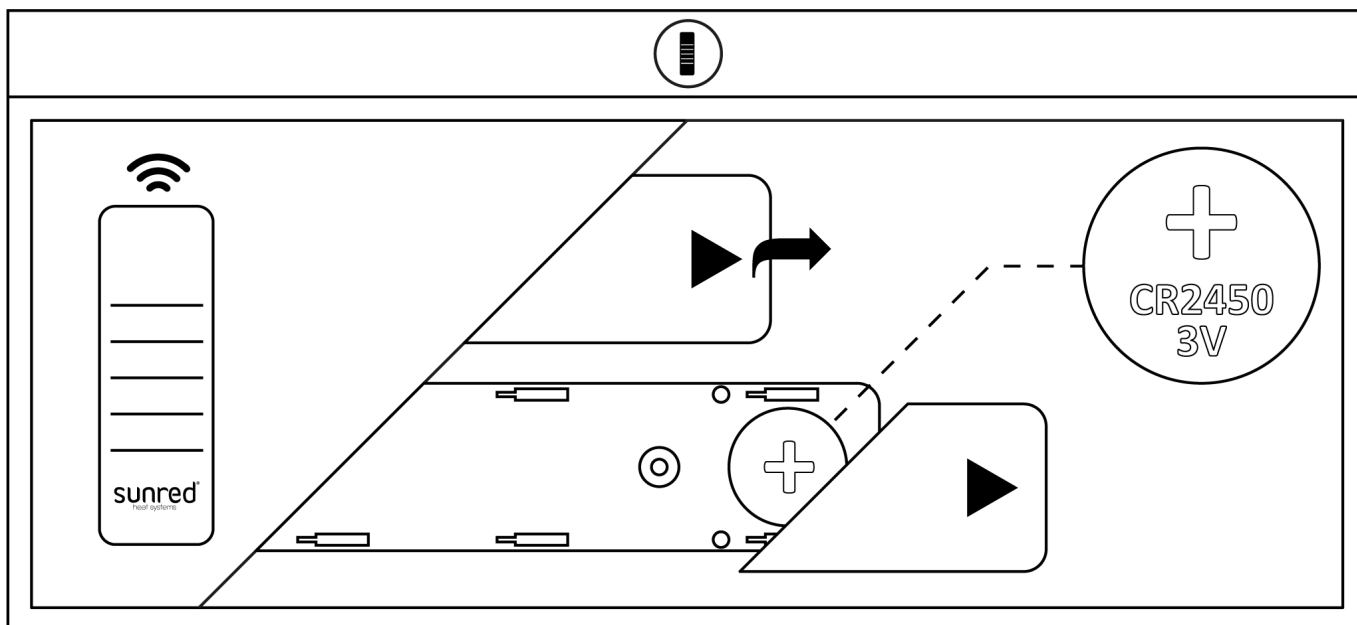
Bortskaffelse uden for Den Europæiske Union:

Dette symbol gælder kun i EU-landene (UE). Ønsker du at bortskaffe dette produkt, kontakt venligst den lokale kompetente myndighed el. sælgeren for at spørge om, hvilken bortskaffelsesmetode der er hensigtsmæssig.

## Bortskaffelse af emballagen

Emballagen består af karton og hensigtsmæssig mærket plast, der egner sig til genbrug.

- Materialerne afleveres til et genbrugscenter mhp. genbrug.



## Batteridrivnen anordning

### Allmänna säkerhetsföreskrifter

- Sätt i och ta ut batterier enligt schema ovan.
- Engångsbatterier får inte laddas om
- Ta ut batterier innan du ska ladda dem
- Blanda aldrig olika batterityper eller nya och använda batterier
- Placera batterier med rätt polaritet
- Ta ut utnyttjade batterier och hantera på ett säkert sätt
- Ta ut batterier om terrassvärmaren inte ska användas under längre tid
- Inmatningsklämmor ska ej vara kopplade

**Varning:** Om terrassvärmare stängs av med fjärrkontroll går den i "viloläge". Stäng alltid av terrassvärmaren med från/till-knappen och ta ut sladden från uttaget när terrassvärmaren inte längre används.



## GARANTIKORT



### To års begrænset garanti

Nedenstående formular bedes udfyldt og sendt pr. telefax el. via e-mail til nedenstående nummer/adresse. Viser det sig, at produktet er fejlbehæftet, bedes det sendt retur til sælgeren sammen med et købsbevis.

- Vedlæg venligst et scannet købsbevis el. en fotokopi heraf.
- Vedlæg venligst fotografier/billeder af og en beskrivelse af det fejlbehæftede el. beskadigede produkt.

Deres efternavn:

Deres efternavn:

E-mail-adresse:

Postnummer:

Modelnummer:

Serienummer:

Batch:

anført på mærkepladen placeret bagerst på udstyret

Købsdato:

År:

OutTrade B.V.  
Meeleweg 76  
7711 EP Nieuwleusen  
The Netherlands

Tel: +31-529—48 28 08  
Fax: +31-529—48 49 10

info@outtrade.eu  
www.outtrade.eu

Beskriv venligst fejlen:



## NO terrasse varmeren

### Oversettelse av original bruksanvisning

Kjære kunde,

Takk for din tilgitt!

Før første bruk lese nøye gjennom denne bruksanvisningen! Den inneholder retningslinjer for sikker bruk og langvarig drift av utstyret. Følg nøye sikkerhetsanvisninger inkludert i denne bruksanvisningen.

Informasjoner angående bruk av denne bruksanvisningen

Alle nødvendige illustrasjoner befinner seg på de første sidene av denne bruksanvisningen. Henvisninger til teksten finnes i beskrivelsene til de relevante illustrasjonene.

### Før du begynner....

#### Bruk i samsvar med bruksformålet

Utstyret er produsert i samsvar med tilgjengelig vitenskap og teknologi samt sikkerhetsforskrifter gjeldende på tidspunktet når enheten ble introdusert på markedet for bruk i samsvar med dets formål.

Utstyret er ment for bruk som en varmeovn på tildekket utendørsområder.

Utstyret egner seg ikke til yrkesbruk eller industriell bruk.

Hvert bruk som ikke er i samsvar med formålet, innføring av endringer i enheten eller bruk av deler som ikke er autoriserte av produsenten kan føre til uforventede skader!

Hvert bruk som ikke er i samsvar med bruksformålet til enheten og alle andre handlinger utført i forhold til utstyret som ikke er beskrevet i denne bruksanvisningen faller innenfor ulovlig bruk av enheten og er dermed utenfor produsentens lovpålagt ansvarsområde.







## For din sikkerhet

### Generelle sikkerhetsforskrifter

- Barn mellom 3 og 8 år kan slå på/av enheten forutsatt at den er plassert eller installert i den tiltenkte posisjonen og at barna er under tilsyn av en ansvarlig person eller har fått opplæring i sikker bruk av enheten samt at de kjenner og forstår alt risiko knyttet til bruk av enheten. Barn mellom 3 og 8 år skal ikke tilkoble enheten til strømmen, foreta justeringer, rengjøre enheten eller utføre brukervedlikehold.
- Ved installering av terrassevarmere i høyde, må varmeren installeres minst 1,8 m over gulvet. (For veggmonterte og hengende terrassevarmere).
- Barn under 3 år bør ikke være i nærheten av enheten uten tilsyn.
- Barn mellom 3 og 8 år kan slå på/av enheten forutsatt at den er plassert eller installert i den tiltenkte posisjonen og at barna er under tilsyn av en ansvarlig person eller har fått opplæring i sikker bruk av enheten samt at de kjenner og forstår alt risiko knyttet til bruk av enheten. Barn mellom 3 og 8 år skal ikke tilkoble enheten til strømmen, foreta justeringer, rengjøre enheten eller utføre brukervedlikehold.
- Barn fra 3 til 8 år kan bare slå enheten på/av hvis den har blitt plassert eller installert i dens riktige, normale posisjonen og barna er under oppsyn eller har fått instruksjoner om sikker bruk av enheten og er i stand til å forstå risikoen.
- Barn fra 3 til 8 år må ikke tilkoble, justere, rengjøre eller utføre vedlikehold på enheten.
- Hvis forsyningsledningen er skadet, må den skiftes ut av produsenten, dens representant eller en kompetent person for å unngå fare.
- Enheten skal ikke tildekkes med klær eller andre brennbare gjenstander. Dette vil føre til at enheten overopphetes, noe som kan medføre brann.
- Avstanden mellom ventilasjonsåpningene og brennbare gjenstander må være minst 75 cm.
- Vær spesielt forsiktig hvis enheten skal installeres nær gardiner eller andre brennbare materialer. Avstanden skal være minst 75 cm.



## For din sikkerhet

### Generelle sikkerhetsforskrifter

- For sikker bruk av enheten bør brukeren lese og forstå bruksanvisningen før enheten brukes for første gang.
- Brukeren bør følge alle sikkerhetsanvisningene for sikker drift av enheten! Dersom disse ikke blir etterfulgt skaper man fare for seg selv og andre.
- Oppbevar alle bruksanvisningene og sikkerhetsanvisningene for fremtidig bruk.
- Ved salg eller overlevering av enheten må bruksanvisningen også følge med.
- Enheten kan kun brukes dersom den er i god teknisk tilstand. Hvis enheten eller noen av dens deler er skadet, bør utstyret skrus av og avhendes på en profesjonell måte.
- Ikke bruk utstyret på rom hvor det er fare for eksplosjon eller i nærheten av brennbar væske eller gas.
- Utstyret bør sikres mot uforventet påkobling når det er skrudd av.
- Ikke bruk utstyret når av/på knappen er ødelagt.
- Barn bør ikke slippes til utstyret! Beskytt enheten mot barn og uautoriserte personer.
- Ikke overbelast enheten. Bruk kun i samsvar med bruksformålet.
- Bruk enheten kun når du er i god fysisk og psykisk tilstand og med forbehold om sikkerhet. Personer som er trøtte, syke, påvirket av alkohol, medisiner eller narkotika er ikke ansvarlige og er dermed ikke i stand til å bruke enheten på en forsvarlig og trygg måte.
- Enheten bør ikke brukes av personer (også barn) som har nedsatt fysisk, sensorisk eller mental evne, personer som ikke har erfaring eller kunnskap om bruk av utstyr av denne typen med mindre de er under tilsyn til ansvarlige personer og har mottatt instruksjoner for bruk av enheten.
- Ikke la barna leke med enheten.
- Ta alltid hensyn til gjeldende internasjonale og nasjonale HMS-regler.

### Elektrisk sikkerhet

- Det er kun lov å koble enheten til en stikkontakt med en korrekt installert beskyttelseskontakt.
- Beskyttelsen må gjennomføres ved hjelp av en beskyttende differensialbryter med en beregnet sviktstrøm på ikke mer enn 30 mA.
- Før enheten kobles til strøm kontroller om strømkildens spenning stemmer med angivelsene for enheten.
- Enheten kan kun brukes innenfor angitt spenning, styrke og nominell rotasjonshastighet (se symbolskilt).
- Ikke rør støpselet med våte hender! Ledningen bør alltid kobles fra ved å trekke den ut ved å holde i støpselet og ikke kablelen.
- Det er ikke lov å bøye, knuse eller kjøre over ledningen. Beskytt den mot skarpe kanter, olje og varme.
- Enheten kan ikke løftes i kablelen. Det er ikke lov å bruke kablelene til mål som ikke stemmer overens med deres tilsiktede bruk.
- Før hvert bruk sjekk støpselet og ledningen.
- Dersom ledningen blir ødelagt trekk den umiddelbart ut fra kontakten. Aldri bruk enheten med ødelagt ledning.
- Dersom enheten ikke er i bruk må støpselet alltid trekkes ut fra kontakten.
- Før du setter enheten i kontakten, sjekk at den ikke står på.
- Før du trekker enheten ut fra kontakten, sjekk at den ikke står på.
- Trekk enheten ut fra kontakten under transport.

### Retningslinjer for bruk av enheten

Det er ikke lov å bruke enheten i stengte rom.

Enheten kan ikke brukes i nærheten av svømmebassenger, hagedammer, osv.



Ikke rør på enheten under drift.

- Ikke vipp enheten under drift.
- Sett aldri inn gjenstander i ventilasjonsgitteret. Fare for livet!
- Avstand mellom ventilasjonsgitter og brennbare gjenstander bør være minimum 75 cm.
- Der ikke lov å dekke over enheten. Fare for brann.
- Enheten bør plasseres på et flat, horisontalt gulv. Rundt enheten bør det være ledig plass. Alltid hold sikkerhetsavstanden.
- Enheten må aldri utsettes mot virkingen av vann eller annen væske.
- Enheten kan ikke driftes med en tidsbryter eller hvilken som helst annen bryter som medfører at enheten skrur på automatisk grunnet brannfare.
- Enheten kan ikke plasseres direkte under stikkontakten på veggen.
- Det er forbudt å fjerne eller dekke til symbolskiltet som befinner seg på enheten. Skilt med informasjon som ikke er lesbar bør byttes umiddelbart.
- Renhold
- Skru enheten av og vent til den blir helt kald.
- Trekk ut støpslet fra stikkontakten.
- Tørk enheten med en fuktig klut.
- For å rense varmeapparatet og reflektor bruk en pensel med langt, mykt hår.

## Avhending

Apparater med en etikett med symbolet på kan ikke gjenvinnes sammen med husholdningsavfall. Elektriske og elektroniske avfall bør gjenvinnes separat. Separat gjenvinning innebærer å returnere gammelt utstyr til resirkulering eller til andre former for gjenbruk. I så måte er det mulig å unngå i noen tilfeller at skadelige materialer trenger inn i miljø.



I tilfelle husholdninger:

Hvis et produkt og / eller produktets dokumentasjon er merket med symbolet WEE, betyr det at oppbrukt elektrisk og elektronisk utstyr ikke må blandes med vanlig husholdningsavfall. For riktig behandling, gjenvinning og resirkulering, vennligst lever dette produktet eller produktene vederlagsfritt til et lokalt kommunalt avfallshåndteringspunkt.

Korrekt avhending av dette produktet vil hjelpe til med å spare verdifulle ressurser og forhindre alle potensielle negative følger for menneskers helse og miljø som ellers kunne være et resultat av uriktig avfallshåndtering.

For mer informasjon om et lokalt kommunalt avfallshåndteringspunkt, ta gjerne kontakt med lokalstyret. Det

kan ilegges straff hvis avfallet fjernes i strid med nasjonale forskrifter.

Hvis du driver virksomhet i Den europeiske union og vil bli kvitt elektrisk og elektronisk avfall (WEEE), vennligst kontakt din forhandler eller utstyrsleverandør for mer informasjon.

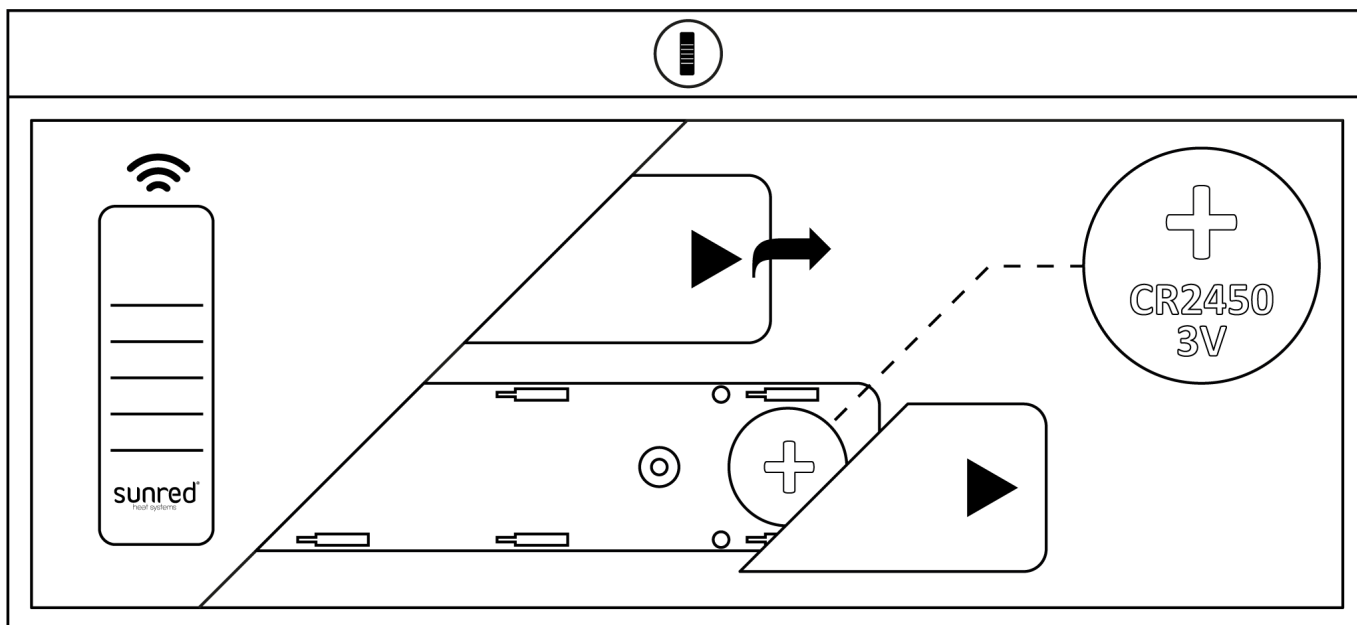
I tilfelle gjenvinning i land utenfor EU:

dette symbolet gjelder bare i EU-land. Hvis du vil kvitte deg med dette produktet, ta gjerne kontakt med ditt lokale råd eller forhandler og be om informasjon om hvordan avfall bør kastes på en riktig måte.

## Avhending av innpakningen

Emballasjen består av en kartong og henholdsvis markert plast som kan gjenbrukes.

- lever disse materialene til gjenbruk.



## Enheten er batteridrevet

### Generelle sikkerhetsregler

- Batterier skal installeres og tas ut som vist ovenfor.
- Ikke-oppladbare batterier må ikke lades.
- Oppladbare batterier må tas ut av enheten før de lades.
- Ikke bland forskjellige typer batterier, ikke bland nye og brukte batterier.
- Pass på riktig polaritet når du setter inn batterier.
- Batterier som er brukt opp må fjernes fra enheten og avhendes på en sikker måte.
- Hvis enheten ikke skal brukes i lengre tid, må du ta ut batteriene.
- Strømterminaler må ikke kortsluttes.

**Advarsel:** Hvis varmeren slukkes ved hjelp af en fjernbetjening, går den automatisk i standby-tilstand. Når varmeren ikke skal brukes, skal den alltid slukkes med en ON-/OFF-kontakt, hvorefter stikket skal trækkes ud af stikkontakten.



## GARANTIKORT



### 2 års begrenset garanti

Vennligst fyll ut dette skjemaet og send det på faks eller e-post til numrene nedenfor. Hvis produktet viser seg å være mangelfullt, vennligst returner det til leverandøren sammen med salgskvitteringen.

- Legg ved en skann/kopi av salgskvitteringen.
- Legg ved bilder og beskrivelse av det defekte eller ødelagte produktet.

Ditt navn:

Adresse:

E-postadresse:

Postnummer:

Modelnummer:

Serienummer:

Batch:

plassert på typeskiltet på  
baksiden av enheten

Innkjøpsdato:

År:

OutTrade B.V.  
Meeleweg 76  
7711 EP Nieuwleusen  
The Netherlands

Tel: +31-529—48 28 08  
Fax: +31-529—48 49 10

info@outtrade.eu  
www.outtrade.eu

Vennligst beskriv feilen:



## SE terrass värmare

### Översättning av bruksanvisningen i original

Till våra kunder

Tack för ert förtroende!

Läs denna bruksanvisning före första igångsättning!

Här hittar du anvisningar om driftsäkerhet samt vad man ska göra för att säkerställa lång livslängd av anordningen. Följ noga alla säkerhetsanvisningar som finns i denna bruksanvisning.

### Hur använder du denna bruksanvisning?

Alla bilder finns på de första sidorna. Du kan hitta hänvisningar till dessa bilder i beskrivningsdelen.

## Innan du börjar ....

### Ändamålsenlig användning

Denna anordning har tillverkats i enlighet med aktuell teknisk nivå och säkerhetsföreskrifter som var gällande den dag då anordningen salufördes.

Denna anordning ska användas som värmeelement utomhus och skall placeras under tak

Denna anordning skall inte användas i affärssyfte eller i industri!

Varje annan användning anses som ej ändamålsenlig. Anordningen kan skadas när den inte används på ett ändamålsenligt sätt, när du gör ändringar av anordningen eller när du använder reservdelar som inte kontrollerats och godkänts av tillverkaren!

Användning av anordningen på ett icke ändamålsenligt sätt eller vidtagande av åtgärder på anordningen som inte blivit beskrivna i denna bruksanvisning innebär en olaglig användning och leder till att tillverkaren frigörs från garantiansvaret.





## För din säkerhet

### Allmänna säkerhetsföreskrifter

- Barn mellan 3 och 8 år får slå på/stänga av anordningen under förutsättning att den har placerats/installerats i sitt avsedda läge och att barnen är i sällskap av en ansvarsfull person eller om de har fått lära sig hur man använder anordningen på ett säkert sätt och är införstådda med alla faror hänförliga till användning av anordningen. Barn mellan 3 och 8 år bör inte koppla anordningen till strömmen, justera, rengöra den eller sköta erforderligt underhåll.
- Monteras terrassvärmare på förhöjningssockel ska den monteras minst 1,8 m ovanför golvet (gäller hängande terrassvärmare och terrassvärmare som monteras på vägg)
- Barn under 3-årsåldern får ej vistas i närheten av anordningen utan uppsikt.
- Barn mellan 3 och 8 år får slå på/stänga av anordningen under förutsättning att den har placerats/installerats i sitt avsedda läge och att barnen är i sällskap av en ansvarsfull person eller om de har fått lära sig hur man använder anordningen på ett säkert sätt och är införstådda med alla faror hänförliga till användning av anordningen. Barn mellan 3 och 8 år bör inte koppla anordningen till strömmen, justera, rengöra den eller sköta erforderligt underhåll.
- Barn mellan 3 och 8 år får endast sätta på/av terrassvärmare när den monterats på försett, normalt arbetsläge. Barn får hantera terrassvärmare under tillsyn eller efter att ha instruerats om hur terrassvärmare kan användas på ett säkert sätt och när de kan förstå vilka faror som kan uppkomma.
- Barn mellan 3 och 8 år får inte koppla till, justera och rengöra anordningen eller utföra underhåll som ska utföras av användaren
- Skadad ledningskabel ska, för att undvika risksituationer, bytas av tillverkaren, behörig servicerepresentant eller annan kvalificerad person.
- Terrassvärmare får aldrig övertäckas av kläder eller annat brännbart material. Detta kan medföra överhettning och leda till brand.
- Minst 75 cm avstånd ska förekomma mellan ventilationshål och brännbart material
- Var försiktig när terrassvärmare installeras i närheten av gardiner eller annat brännbart material. Minst 75 cm avstånd ska säkerställas





## För din säkerhet

### Allmänna säkerhetsföreskrifter

- Läs igenom denna bruksanvisning före första igångsättning för att säkerställa säker drift av anordningen
- Följ alla arbetsmiljöföreskrifter för att inte skapa risk för dig eller andra
- Förvara alla bruksanvisningar och säkerhetsföreskrifter för framtida användning
- Överlämna denna bruksanvisning i samband med försäljning eller överlåtande av anordningen
- Anordningen skall endast användas i perfekt tekniskt skick. Har anordningen eller dess komponent skadats skall den kopplas av och hanteras på ett lämpligt sätt.
- Anordningen får inte användas på ställen där explosionsrisk föreligger eller i närheten av brandfarliga vätskor eller gaser!
- Se till att säkra frånkopplad anordning så att den inte oavsiktligt kopplas på
- Använd inte denna anordning när strömbrytaren är sönder
- Förvaras oåtkomligt för barn! Skydda anordningen från barn eller annan obehörig användning
- Överbelasta ej anordningen. Anordningen skall endast användas på ett ändamålsenligt sätt
- Arbeta alltid när du är i bra fysisk form och arbeta säkert. Trötta, sjuka, alkohol-, medicin- eller narkotikapåverkade personer är inte ansvariga och kan inte använda anordningen på ett säkert sätt.
- Anordningen skall inte användas av personer (även barn) som är i begränsat fysiskt, sensoriskt eller mentalt tillstånd eller som inte har lämpliga erfarenheter och/eller kunskaper. Detta gäller inte i de fall då det finns tillsyn från behöriga som givit anvisningar om hur anordningen ska användas
- Se till att barn inte leker med anordningen.
- Beakta alltid lokala och internationella arbetsmiljöbestämmelser

### Elsäkerhet

- Koppla anordningen till vägguttaget med korrekt installerat jordat uttag.
- Elsäkerheten skall garanteras genom användning av differentialbrytare med jordfelsbrytare (max. 30 mA)
- Kontrollera att strömanslutningen motsvarar anordningens anslutningsvärden.
- Anordningen skall endast användas inom angiven spänning, effekt och märkvarvtal (se märkskylt)
- Vidrör aldrig uttaget med våta händer! Dra i stickkontakt - inte i kabel när du kopplar av enheten.
- Böj, krossa eller kör inte på anslutningskabeln. Undvik skarpa ytor, olja eller hetta.
- Lyft aldrig anordningen genom att ta dra i kabeln. Kablar ska användas på ett ändamålsenligt sätt
- Kontrollera alltid stickkontakt och kabel innan du använder anordningen
- Dra ut stickkontakt ur uttaget när kabeln har skadats. Använd aldrig anordningen med skadad kabel.
- Dra ut stickkontakt när anordningen inte är i bruk
- Kontrollera att anordningen är frånkopplad innan du sätter stickkontakt i eluttaget.
- Slå av anordningen innan du drar stickkontakt ur eluttaget
- Koppla av anordningen före transport





## Produktspecifika anvisningar

- Denna anordning får inte användas i slutna utrymmen
- Denna anordning får inte användas i närheten av simbassänger, trädgårdsdammar m.m.
- Skaka inte anordningen i driftläge
- Sänk inte anordningen i driftläge
- Stoppa aldrig föremål genom ventilationsdon. Livsfara!
- Avståndet mellan ventilationsdon och brandfarliga föremål ska vara minst 75 cm
- Täck inte över anordningen. Brandrisk föreligger
- Ställ anordningen på jämnt, vågrätt underlag. Lämna fritt utrymme omkring anordningen. Håll alltid säkerhetsavståndet
- Sänk aldrig ner anordningen i vatten eller annan vätska
- Denna anordning skall inte drivas med timer eller annan brytare som leder till automatisk frånkoppling. Brandrisk föreligger
- Placera inte anordningen direkt vid vägguttaget
- Ta inte bort eller täck inte över symboler på anordningen. Skyltar som inte är läsbara ska bytas ut.

## Rengöring

- Slå av anordningen och låt den stå stilla för att kyla ned den
- Dra stickkontakt ur eluttaget
- Rengör försiktigt med fuktig trasa
- Använd pensel med lång, mjuk borst



## Avfallshantering

Anordningar märkta med denna symbol ska inte hamna i samma behållare som hushållsavfall. Utnyttjade elektriska och elektroniska apparater ska hanteras separat. Det innebär att gamla produkter ska skickas till återvinningsstationer eller till annan återanvändning. Så kan vi undvika att farliga ämnen hamnar i naturmiljön.

Hushåll:

WEEE som placeras på produkten och/eller i produktokumentationen betyder att utnyttjade elektriska och elektroniska apparater inte ska hamna i samma behållare som hushållsavfall. Lämna därför avgiftsfritt dessa produkter i återvinningsstationer så att de kan hanteras, återvinnas eller återanvändas på ett korrekt sätt.

Genom att korrekt hantera detta avfall kan vi skydda våra värdefulla resurser och förebygga eventuella negativa följder för människohälsa och miljö som kunde uppstå på grund av felaktig avfallshantering. Kontakta

lokala myndigheter för att få information var närmaste återvinningsstation är placerad. Illegal avfallshantering kan leda till böter.

Gäller verksamheter inom Europeiska unionen som behöver hämtning av utnyttjade el- och elektroniska apparater (WEEE):

kontakta din försäljare eller leverantör för ytterligare information

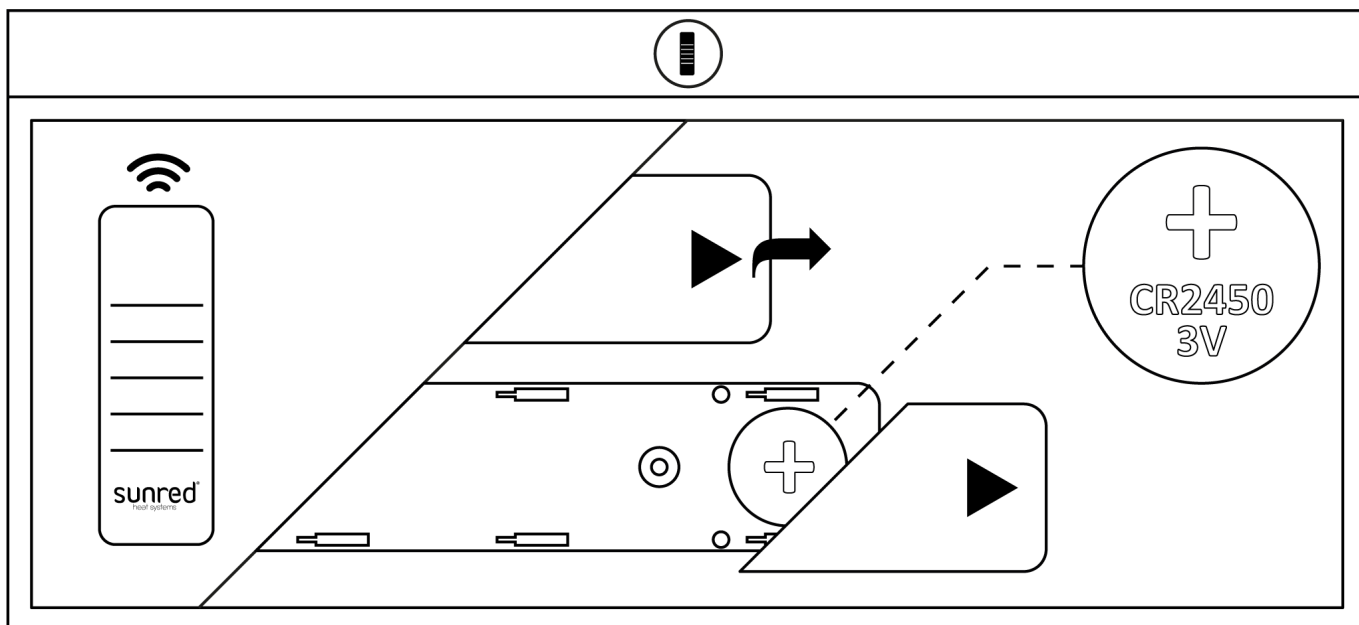
Gäller för länder utanför EU:

Denna symbol gäller endast inom EU. Vill du slänga bort denna produkt kontakta lokala myndigheter eller försäljare och fråga hur den utnyttjade produkten ska hanteras på ett korrekt sätt.

## Hantering av förpackning

Produkten förpackas i kartong och märkt plast som kan återanvändas.

- Lämna tillbaka detta material så att det kan återanvändas



## Batteridrivnen anordning

### Allmänna säkerhetsföreskrifter

- Sätt i och ta ut batterier enligt schema ovan.
- Engångsbatterier får inte laddas om
- Ta ut batterier innan du ska ladda dem
- Blanda aldrig olika batterityper eller nya och använda batterier
- Placera batterier med rätt polaritet
- Ta ut utnyttjade batterier och hantera på ett säkert sätt
- Ta ut batterier om terrassvärmaren inte ska användas under längre tid
- Inmatningsklämmor ska ej vara kopplade.

**Varning:** Om terrassvärmare stängs av med fjärrkontroll går den i "viloläge". Stäng alltid av terrassvärmaren med från/till-knappen och ta ut sladden från uttaget när terrassvärmaren inte längre används.



## GARANTIKORT



### Begränsat garanti i två år

Fyll i denna blankett och faxa eller skicka den per mail till nedan angivna nummer/adress. Är produkten bristfällig lämna den tillbaka till säljaren. Glöm inte kvittot!

- Bifoga scannad bild/kopia på kvitto.
- Bifoga även bilder samt beskrivning av den bristfälliga eller skadade produkten

Namn:

Adress:

E-post:

Postnummer:

Modelnummer:

Serienummer:

Batch:

finns på märksylten på anordningens baksida

Inköpsdatum:

År:

OutTrade B.V.  
Meeleweg 76  
7711 EP Nieuwleusen  
The Netherlands

Tel: +31-529—48 28 08  
Fax: +31-529—48 49 10

info@outtrade.eu  
www.outtrade.eu

Beskriv felet:



## FI Terassilämmitin

### Alkuperäisen käyttöohjeen käännös

Arvoisa asiakas,

Kiitos luottamuksestasi tuotteeseemme!

Ennen kuin käytät tuotetta ensimmäistä kertaa, lue ehdottomasti nämä käyttöohjeet! Täältä löydät tiedot, kuinka tuotetta käytetään turvallisesti ja varmistetaan sille pitkä käyttöikä. Sinun pitää kiinnittää huomiota tämän asiakirjan kaikkiin turvallisuusohjeisiin!

### Kuinka näitä ohjeita käytetään

Kaikki tarvittavat kaaviot löytyvät tämän ohjesarjan ensimmäisiltä sivuilta. Kuvauksissa sinut ohjataan viittauksilla asiaan liittyviin kaavioihin.

## Ennen kuin aloitat...

### Käyttötarkoitus

Aiottuun tarkoitukseen käytettynä tämä laite vastaa tekniikan tasoa sekä käyttöönoton ajankohtana voimassa olevia turvallisuusvaatimuksia.

Laite on katettujen ulkotilojen lämmittämiseen tarkoitettu lämmitin.

Laite ei sovellu kaupalliseen tai teolliseen käyttöön.

Kaikki muu käyttö on väärää käyttöä. Laitteen väärä käyttö tai muutokset tai sellaisten komponenttien käyttö, joita valmistaja ei ole testannut ja hyväksynyt, voi johtaa odottamattomiin vaurioihin!

Mikä tahansa käyttö, joka poikkeaa laitteen käyttötarkoituksesta ja jota ei ole mainittu näissä ohjeissa, katsotaan luvattomaksi käytöksi ja vapauttaa valmistajan laillisesta vastuusta.





## Turvallisuutesi vuoksi

- Yleiset turvallisuusohjeet
- Tätä laitetta voivat käyttää yli 8-vuotiaat lapset ja henkilöt, joilla on alentuneet psyykkiset, sensoriset tai henkiset kyvyt tai joilla ei ole kokemusta ja tietoa, jos heitä valvotaan tai heidät on opastettu käyttämään laitetta turvallisesti ja he ymmärtävät käyttöön liittyvät vaarat. Lapset eivät saa leikkiä laitteella. Lapset eivät saa suorittaa puhdistusta ja käyttäjähuoltoa ilman valvontaa.
- Alle 3-vuotiaat lapset on pidettävä poissa, ellei heitä valvota jatkuvasti.
- Yli 3-vuotiaat ja alle 8-vuotiaat lapset saavat kytkeä laitteen päälle/pois päältä vain, jos se on asetettu tai asennettu sille tarkoitettuun normaaliin käyttöasentoon ja heitä valvotaan tai heidät on opastettu käyttämään laitetta turvallisesti ja he ymmärtävät käyttöön liittyvät vaarat.
- Yli 3-vuotiaat ja alle 8-vuotiaat lapset eivät saa kytkeä laitetta pistorasiaan, säätää ja puhdistaa laitetta tai suorittaa käyttäjähuoltoa.
- Jos virtajohto on vaurioitunut, valmistajan, sen huoltoedustajan tai vastaavan pätevyyden omaavan henkilön on vaihdettava se vaaran välttämiseksi.
- VAROITUS — Jotkin tämän tuotteen osat voivat kuumentua erittäin kuumiksi ja aiheuttaa palovammoja. Erityistä huomiota on kiinnitettävä silloin, kun lapsia ja haavoittuvia henkilöitä on läsnä.
- Laitekohtaiset turvallisuusohjeet
- Älä koskaan peitä laitetta vaatteilla tai syttyvillä esineillä. Se aiheuttaa laitteen ylikuumenemisen ja voi aiheuttaa tulipalovaaran.
- Tuuletusaukkojen ja syttyvien esineiden välisen etäisyyden on oltava vähintään 75 cm.
- → Ole tarkkaavainen verhojen ja muiden palavien materiaalien lähelle asentamisessa. On noudatettava muita vähintään 75 cm etäisyyksiä.





## Turvallisuutesi vuoksi

### Yleiset turvallisuusohjeet

- Käyttääkseen laitetta turvallisesti käyttäjän on luettava ja ymmärrettävä nämä käyttöohjeet ennen laitteen ensimmäistä käyttökertaa.
- Noudata kaikkia turvallisuusohjeita! Jos et tee näin, siitä voi aiheutua vammoja sinulle ja muille henkilöille.
- Säilytä kaikki käyttöohjeet ja turvallisuusohjeet myöhempää tarvetta varten.
- Jos myyt tai luovutat laitteen, sinun on luovutettava myös tämä käyttöohje.
- Laitetta saa käyttää vain, kun se toimii oikein. Jos tuote tai tuotteen osa on viallinen, laite on poistettava käytöstä ja hävitettävä asianmukaisesti.
- Älä koskaan käytä laitetta huoneessa, jossa esiintyy räjähdysvaara tai syttyvien nesteiden tai kaasujen läheisyydessä.
- Varmista aina, ettei sammutettua laitetta voida käynnistää uudelleen vahingossa.
- Älä käytä laitteita, joiden on/off-kytkin ei toimi oikein.
- Pidä lapset poissa laitteesta! Pidä laite poissa lasten ja muiden luvottomien henkilöiden ulottuvilta.

### Sähköturvallisuus

- Laitteen saa kytkeä vain oikein asennettuun ja maadoitettuun pistorasiaan.
- Sulakkeen pitää olla vikavirtasuojakytkin, jonka mitattu vikavirta on enintään 30 mA.
- Varmista, että virtalähde vastaa laitteen liitännätietoja ennen laitteen liittämistä virtalähteeseen.
- Laitetta saa käyttää vain määritetyissä jännitteen ja tehon rajoissa (katso tyyppikilpi).
- Älä koske pistokkeeseen märillä käsillä! Irrota verkkopistoke aina vetämällä pistokkeesta, älä vedä virtajohto.
- Älä taivuta, murskaa ja vedä virtajohtoa tai aja sen yli, suojaa virtajohto teräviltä reunoilta, öljyltä ja kuumuudelta.
- Älä nosta laitetta virtajohto tai käytä virtajohtoa muuhun kuin käyttötarkoituksen mukaiseen tarkoitukseen.
- Tarkista pistoke ja virtajohto ennen jokaista käyttöä.
- Jos virtajohto on vaurioitunut, irrota pistoke välittömästi pistorasiasta. Älä koskaan käytä laitetta, jos virtajohto on vaurioitunut.
- Jos laite ei ole käytössä, varmista, että pistoke on irrotettu pistorasiasta.
- Varmista, että laite on kytketty pois päältä, ennen kuin kytket virtajohtoon pistorasiaan.
- Varmista, että laite on kytketty pois päältä, ennen kuin irrotat pistokkeen pistorasiasta.
- Irrota laite virtalähteestä ennen sen siirtämistä.

### Laitekohtaiset turvallisuusohjeet

- Laitetta ei saa käyttää sisätiloissa.
- Laitetta ei saa käyttää uima-altaiden, puutarhalammikoiden jne. läheisyydessä.
- Älä siirrä laitetta, kun se on käytössä.
- Älä kallista laitetta, kun se on käytössä.
- Älä koskaan laita esineitä tuuletusaukkojen kautta laitteeseen. Hengenvaara!
- Tuuletusaukkojen ja syttyvien esineiden välisen etäisyyden on oltava vähintään 75 cm.
- Laitetta ei saa peittää. Se aiheuttaa tulipalovaaran.
- Laite on asennettava tasaiselle, vaakasuoralle pinnalle, jonka ympärillä on tilaa. Turvaetäisyyksiä on aina noudatettava.
- Älä koskaan altista laitetta vedelle tai muille nesteille.
- Älä koskaan käytä lämmitintä ajastimen tai muun kytkimen kanssa, joka aktivoi laitteen automaattisesti, koska se aiheuttaa tulipalovaaran.
- Lämmitintä ei saa asettaa suoraan seinäpistorasian alle.
- Laitteeseen kiinnitettyjä symboleja ei saa poistaa tai peittää. Laitteessa olevat tiedot, jotka eivät ole enää luettavissa, on vaihdettava välittömästi.
- Kun lämmitin asennetaan korkealle tasolle, lämmitin on asennettava vähintään 1,8 m lattian yläpuolelle.



## Laitteen hävittäminen

Viereisellä symbolilla merkityjä laitteita ei saa hävittää kotitalousjätteen mukana. Sinun on hävitettävä tällaiset vanhat sähkö- ja elektroniikkalaitteet lajiteltuna jätteenä.

Lajiteltuna jätteenä lähetät vanhat laitteet kierrätykseen tai muuhun uudelleenkäyttöön. Näin autat joissakin tapauksissa välttämään vahingollisen materiaalin joutumisen ympäristöön.

Kotitalouksille: Hävittämistiedot sähkö- ja elektroniikkalaitteiden käyttäjille. Tämä symboli tuotteessa (tuotteissa) ja/tai mukana olevissa asiakirjoissa tarkoittaa, että käytettyjä sähkö- ja elektroniikkalaitteita (WEEE) ei saa sekoittaa tavalliseen kotitalousjätteeseen. Vie tämä tuote/tuotteet asianmukaista käsittelyä, talteenottoa ja kierrätystä varten niille tarkoitettuihin keräyspisteisiin, joissa ne otetaan vastaan maksutta.

Tämän tuotteen oikea hävittäminen auttaa säästämään arvokkaita resursseja ja ehkäisemään mahdolliset kielteiset vaikutukset ihmisten terveydelle ja ympäristölle, joita voisi muuten aiheutua epäasianmukaisesta jätteenkäsittelystä. Ota yhteyttä paikalliseen viranomaiseen saadaksesi lisätietoja lähimmästä näille jätteille tarkoitettuun keräyspisteeseen. Tämän jätteen virheellisestä hävittämisestä voidaan määrätä sakkoja kansallisen lainsäädännön mukaisesti.

Ammattimaisille käyttäjille Euroopan unionissa. Jos haluat hävittää sähkö- ja elektroniikkalaitteet (EEE), ota yhteyttä jälleenmyyjäsi tai toimittajaasi saadaksesi lisätietoja.

Hävittämistä varten Euroopan unionin ulkopuolisissa maissa. Tämä symboli on voimassa vain Euroopan unionin (EU) alueella. Jos haluat hävittää tämän tuotteen, ota yhteyttä paikallisiin viranomaisiin tai jälleenmyyjään ja kysy oikeaa hävitystapaa.

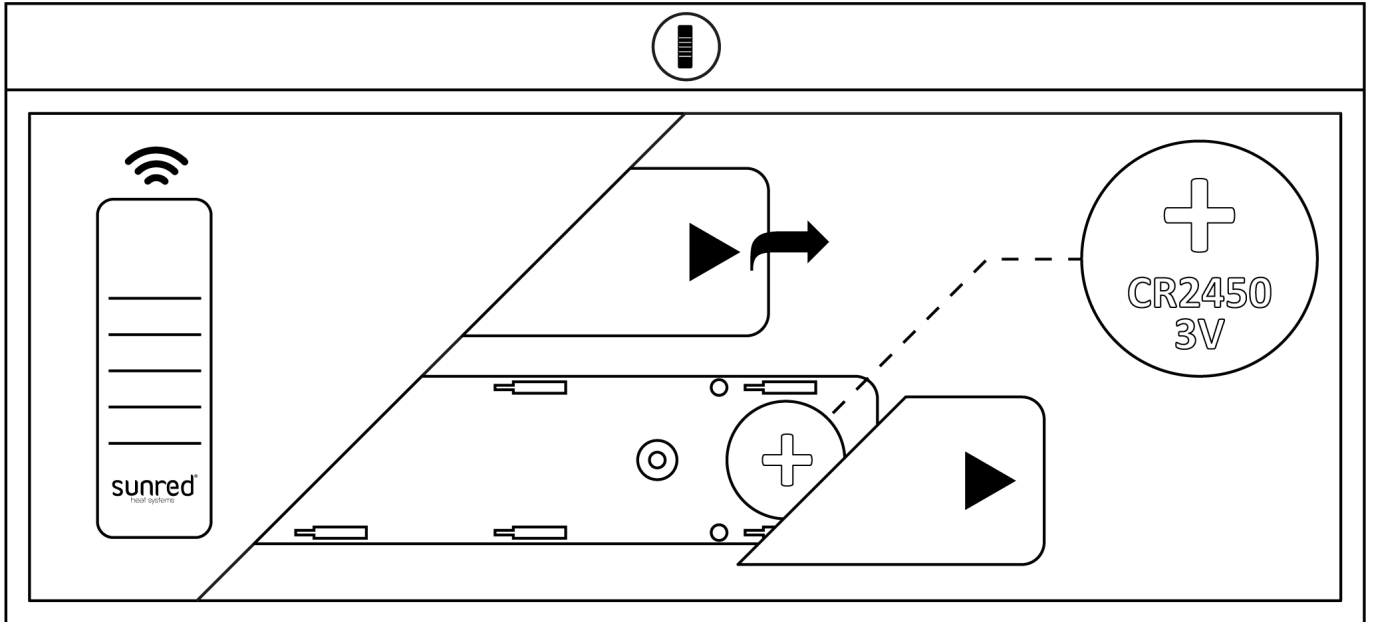
## Pakkauksen hävittäminen



Pakkaus sisältää pahvia ja vastaavasti merkittyjä muoveja, jotka voidaan kierrättää.

– Toimita nämä materiaalit kierrätykseen.





## Paristotoiminen laite

### Yleiset turvallisuusohjeet

- Poista tai asenna paristot yllä olevan kuvan mukaisesti.
- Ei-ladattavia paristoja ei saa ladata uudelleen.
- Ladattavat paristot on poistettava laitteesta ennen lataamista.
- Erityyppisiä paristoja tai uusia ja käytettyjä paristoja ei saa sekoittaa.
- Paristot on asetettava oikealla napaisuudella.
- Tyhjentyneet paristot on poistettava laitteesta ja hävitettävä turvallisesti.
- Jos laitetta säilytetään käyttämättömänä pitkän aikaa, paristot pitää poistaa laitteesta;
- Syöttöliittimiä ei saa oikosulkea.

**Varoitus:** Jos lämmitin kytketään pois päältä kaukosäätimellä, lämmitin siirtyy valmiustilaan. Kun lämmitin ei ole käytössä, kytke lämmitin aina pois päältä virtakytkimellä ja irrota pistoke pistorasiasta.





## TAKUUKORTTI



### 2 vuoden rajoitettu takuu

Täytä tämä lomake ja lähetä faksilla tai sähköpostitse alla oleviin numeroihin. Palauta ostotositteen kanssa jälleenmyyjällesi, jos tuote on tullut viallisena.

- Liitä skannaus/kopio ostotositteesta.
- Liitä kuvia ja kuvaus viallisesta tai vaurioituneesta tuotteesta.

Nimesi:

Osoitteesi:

Sähköpostiosoite:

Postinumero:

Tuotteen nimi:

Mallinumero:

Eränumero: (sijoitettu laitteen takana tai sivulla olevaan tyyppikilpeeseen)

Ostopaikka:

Vuosi:

OutTrade B.V.  
Meeleweg 76  
7711 EP Nieuwleusen  
The Netherlands

Tel: +31-529—48 28 08  
Fax: +31-529—48 49 10

info@outtrade.eu  
www.outtrade.eu

Kuvaile vika: