




### Safety Instructions

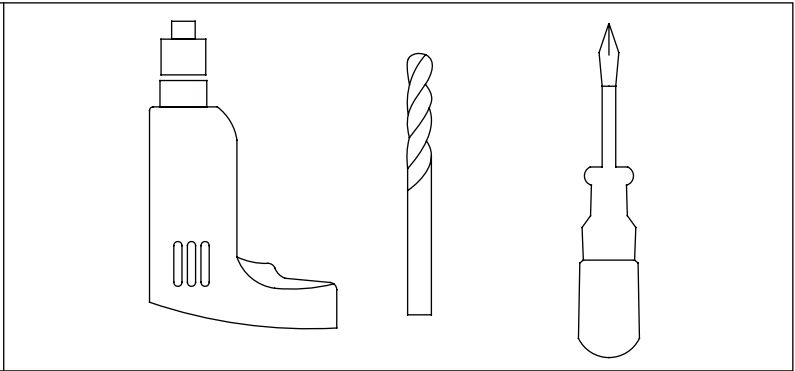
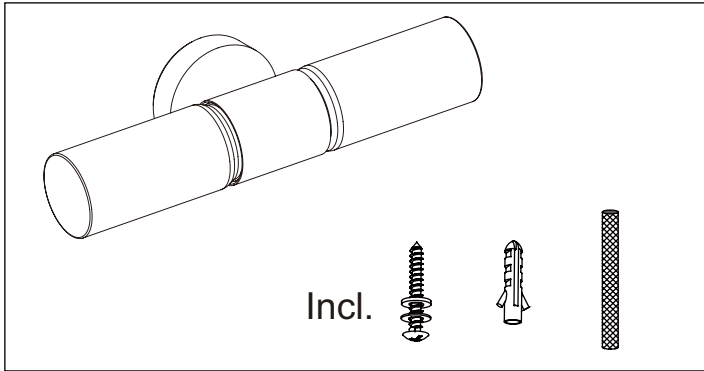
 0,1,2,4,6,7,8,9,11,  
15,22,25,27

Info Hotline  **+49 (0) 5041 998 389**  
Mon. - Do. 7<sup>00</sup> - 20<sup>00</sup>  
Fr. 7<sup>00</sup> - 17<sup>00</sup>

Paulmann Licht GmbH  
31832 Springe / Germany  
[www.paulmann.com](http://www.paulmann.com)

Art.-Nr.:  
**703.50**

(+MA 173)  
PJH 09/12



### A Safety Instructions Nr. 0,1

1 2 3

### B Safety Instructions Nr. 0,1,2

1.

2.

### C Safety Instructions Nr. 0,1

### D Safety Instructions Nr. 0,1,4

7mm  
14mm  
230V

230V

### E Safety Instructions Nr. 7,8

1 2 3 4 5 6

