



Paulmann

### Safety Instructions

1, 2, 3, 4, 5, 6, 7, 8, 11,  
12, 15, 16, 17, 18, 19, 20,  
21, 22, 24, 26, 28, 32, 33, 34



31.08.2021



A++ - A

01.09.2021



G



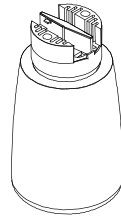
www.paulmann.com/symbols

Paulmann Licht GmbH  
Quezinger Feld 2  
31832 Springe  
Germany

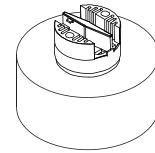


www.paulmann.com

Art.-Nr.: 955.01  
955.02  
968.09



955.01



955.02 968.09

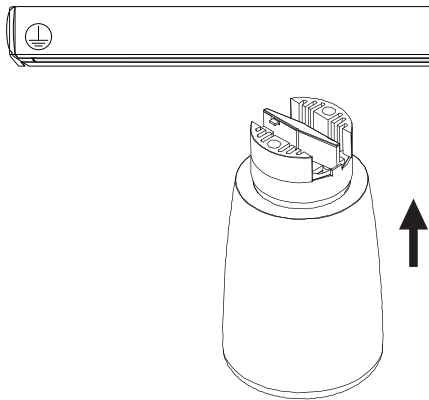
(+MA 326) PUP 06/22



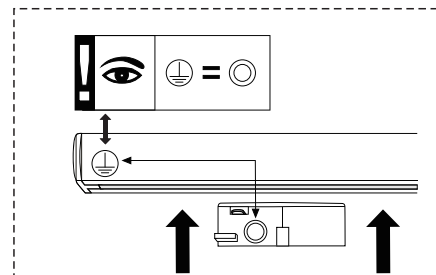
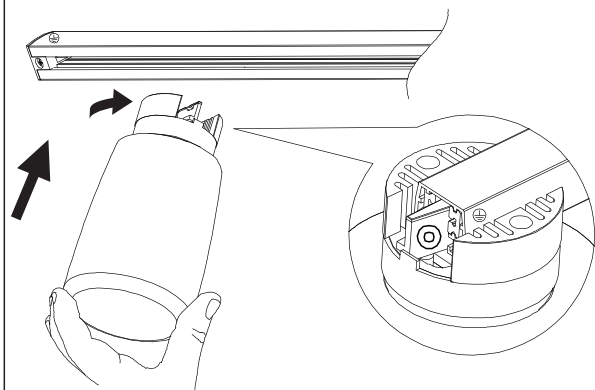
A



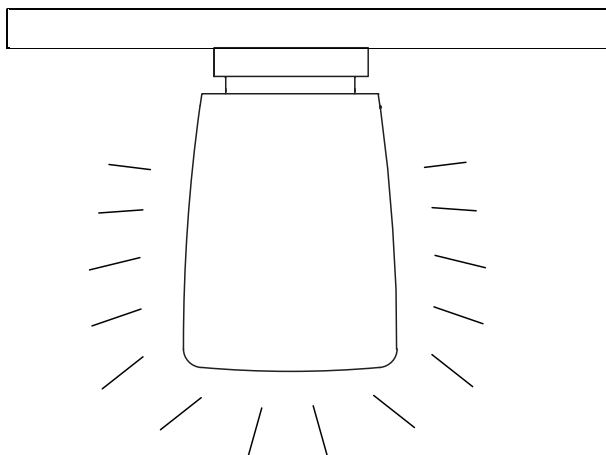
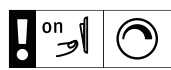
Safety Instructions  
Nr. 1, 4, 5



B



C



D



Safety Instructions  
Nr. 1, 4, 5

