



Paulmann



31.08.2021 | 01.09.2021

ENERGY LABEL 874/2012 | ENERGY LABEL 2019/2015

A++ - A | F

www.paulmann.com/symbols

Paulmann Licht GmbH
Quezinger Feld 2
31832 Springe
Germany

www.paulmann.com

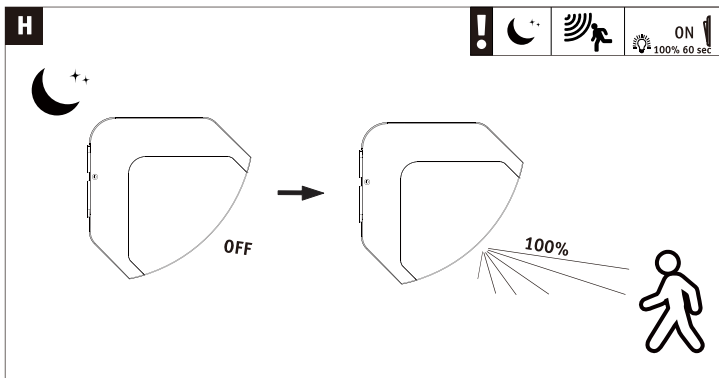
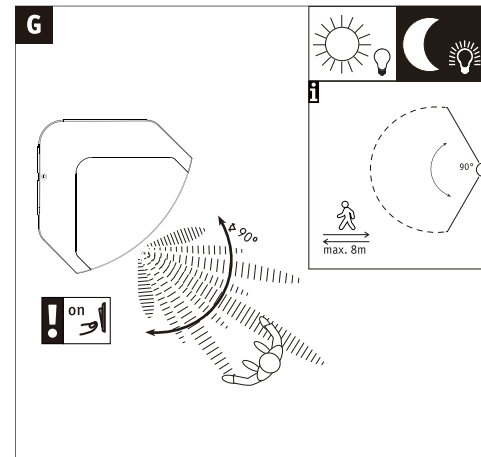
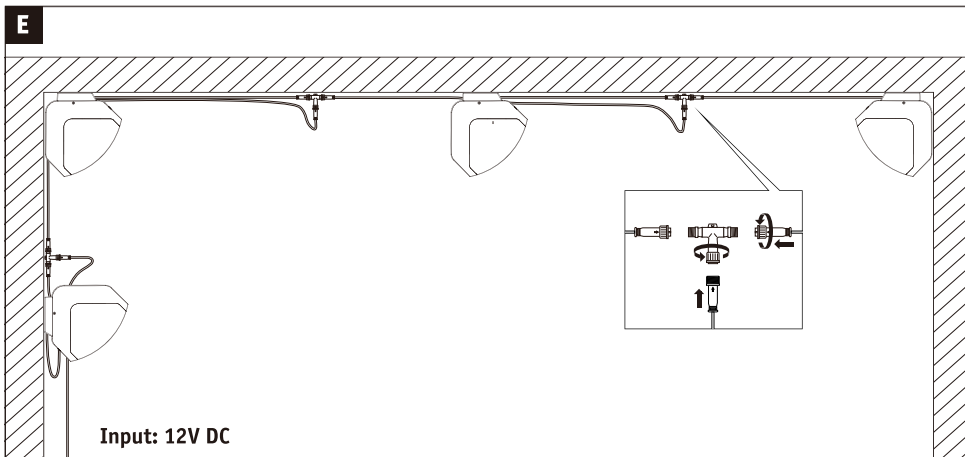
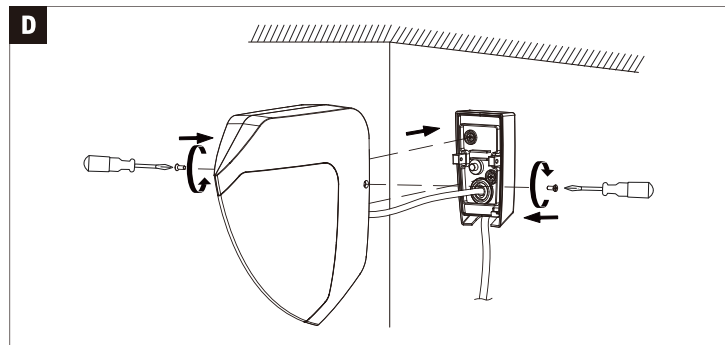
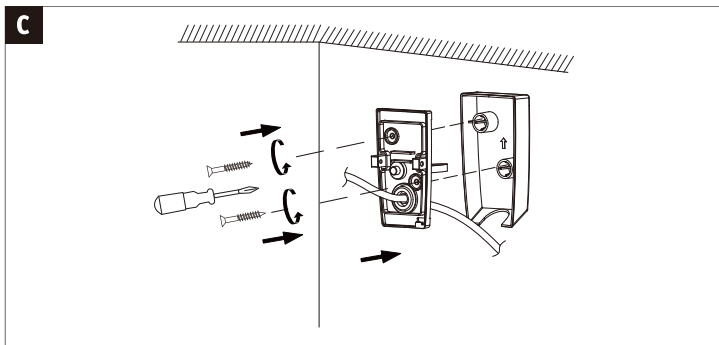
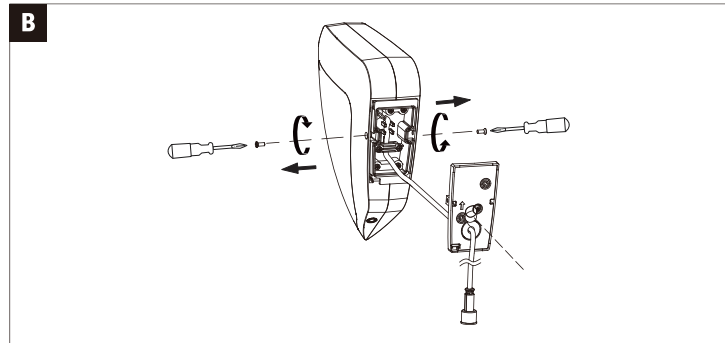
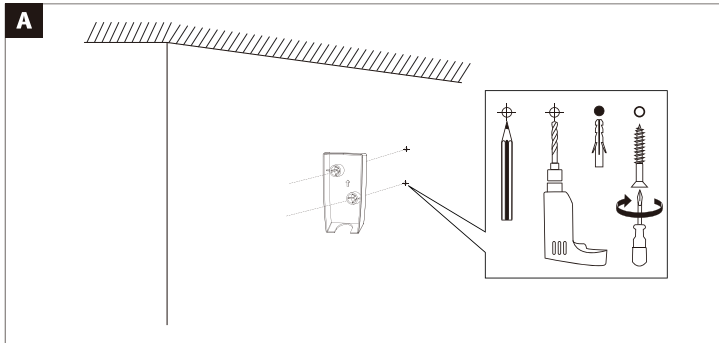
Art.-Nr.: 945.18
PARL 04/21

1x

1x

1x

Incl.



LED Driver
12V DC
not incl.
Paulmann
Art.-Nr. 943.94/943.95
945.32/945.79
945.80

Solar Panel
12V DC
not incl.
Paulmann
Art.-Nr. 945.51/945.52

Extension Cable
12V DC
not incl.
Paulmann
Art.-Nr. 945.81/945.82
945.83

