



English

norcool
cold by nature



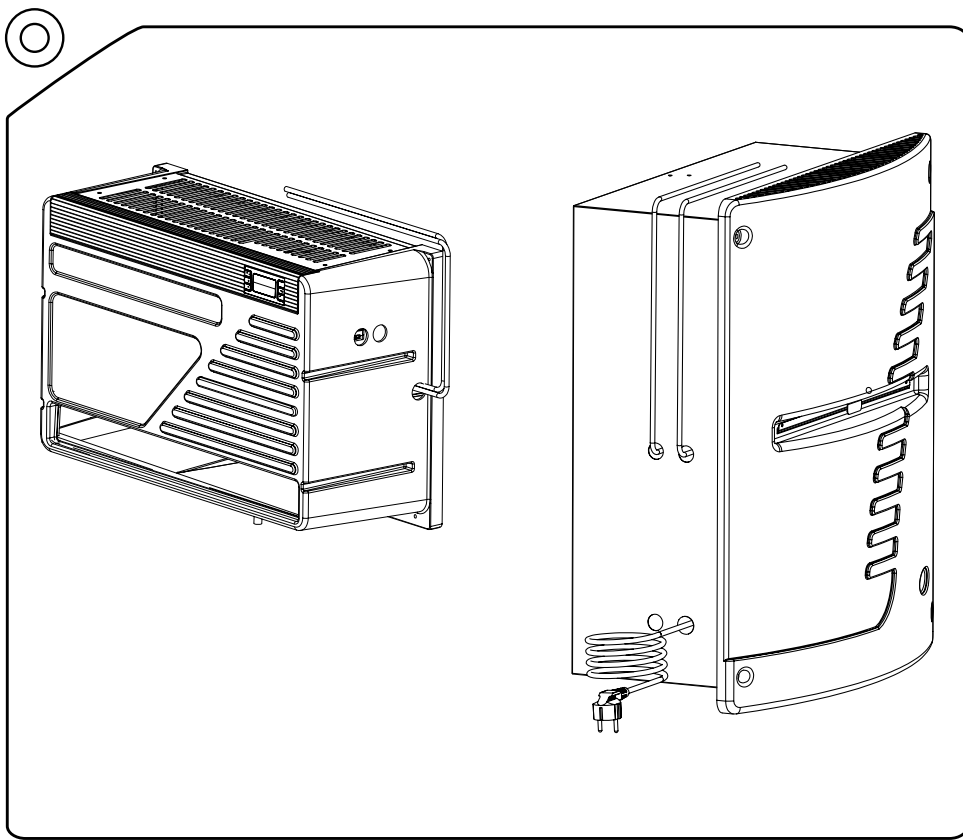
OPERATING & INSTALLATION INSTRUCTIONS



CU-450 SPLIT ECO



Please visit www.norcool.no for operating & installation instructions in other languages.



1. Product information	9
2. Important information	11
3. Dimensions and technical specifications	12
4. Pre-installation	13
5. Installation instructions	15
5.1 Evaporator element	16
5.2 Condenser element	16
5.3 Refrigeration installation	16
5.4 Electric connections	16
5.5 Wiring diagram	16
6. Using the appliance	15
6.1 Replacing the LED bars	16
6.2 Controller icons and temperature settings	16
6.3 Switching on/off the light	16
6.4 Manual defrost	16
6.5 Alarm function	16
6.6 Cleaning and maintenance	17
7. Service and troubleshooting	18
8. Disposal of used products	19
9. CU-450 ECO Split Item list	20

This appliance is not intended for use by persons (including children) with reduced physical, sensory or mental capabilities, or lack of experience and knowledge, unless they have been given supervision or instruction concerning use of the appliance by a person responsible for their safety. Children should be supervised to ensure that they do not play with the appliance.

This appliance can be used by children aged from 8 years and above and persons with reduced physical, sensory or mental capabilities or lack of experience and knowledge if they have been given supervision or instruction concerning use of the appliance in a safe way and understand the hazards involved. Children shall not play with the appliance. Cleaning and user maintenance shall not be made by children without supervision.

To avoid contamination of food, please respect the following instructions:

- Opening the door for long periods can cause a significant increase of the temperature in the compartments of the appliance.
- Clean regularly surfaces that can come in contact with food and accessible drainage systems.
- Store raw meat and fish in suitable containers in the refrigerator, so that it is not in contact with or drip onto other food.
- If it is left empty for long periods, switch off, defrost, clean, dry, and leave the door open to prevent mould developing within the cooling room.

Appliances shall be constructed so that lubricants are prevented from polluting food compartments.

WARNING: Use this appliance only for its intended purpose as described in this instruction manual. The appliance must be properly installed in accordance with the manual before it is used.

WARNING: When positioning the appliance, ensure the mains power cable is not trapped or damaged.

WARNING: Do not connect unit to multiple portable socket-outlets or portable power supplies.



Caution: risk of fire/flammable materials

Refrigerant R290, this gas is natural gas with high environmental compatibility that is, however, also combustible.

When transporting and installing the appliance, ensure that no parts of refrigerating circuit are damaged.

Refrigerant leaked from the refrigerating pipes could ignite, if leaking is detected, to avoid any potential source of ignition (spark, naked flames etc.), please open window or door, and keep good ventilating.

For appliances which use flammable refrigerants, the instructions shall include information pertaining to the handling, servicing and disposal of the appliance. The appliance has to be unplugged after use and before carrying out user maintenance on the appliance.

If the supply cord is damaged, it must be replaced by the manufacturer, its service agent or similarly qualified persons in order to avoid a hazard.

WARNING: Connect the supplied plastic tube to the water overflow pipe on the cold side of the unit, and connect this to a permanent drainage or water container.

WARNING: Keep ventilation openings, in the appliance enclosure or in the built-in structure, clear of obstruction.

WARNING: Do not use electrical appliances inside the cold room unless they are of the type recommended by the manufacturer.

WARNING: Do not damage the refrigerant circuit.

WARNING: Do not store explosive substances such as aerosol cans with a flammable propellant in the cold room of this appliance.

WARNING: The door to use for assembling the cold room, shall be made in a way that can be opened from the inside with a force smaller than 70N.

WARNING: In order to reduce flammability hazards the installation of this appliance must only be carried out by a suitably qualified person.

WARNING: To avoid a hazard due to instability of the appliance, it must be fixed in accordance with the instructions.

The installation of the appliance and the refrigerant unit must only be made by the manufacturer's service personnel or suitably qualified person.

This appliance is intended to be used in households and similar applications such as:

- staff kitchen areas in shops, offices and other working environments;
- farm houses and by clients in hotels, motels and other residential type environments;
- bed and breakfast type environments;
- catering and similar non-retail applications.

Ambient temperature

An explanation shall be given of the meaning of the alpha-numeric characters, indicating the test room climatic class of the appliance, that are marked on the appliance.

Test room climate class	Dry bulb temperature °C	Relative humidity %	Dew point °C	Water weight in dry air g/kg
0	20	50	9.3	7.3
1	16	80	12.6	9.1
2	22	65	15.2	10.8
3	25	60	16.7	12
4	30	55	20	14.8
5	40	40	23.9	18.8
6	27	70	21	15.8
7	35	75	30	27.3

This product is defined as a customized product and is an unconventional refrigeration appliance. Only one single batch is produced. The main function of this product is not to store food through a refrigeration system, but to provide a refrigeration environment.

CU-450 Split ECO is our split unit, with capacity of 10,000 litres respectively. It is designed for chilling food for use in private households and similar applications. The correct temperature in the cold room will depend on correct construction and insulation.

The warm and cold elements of split units are separate. The cold element is installed in the cold room and consists of: evaporator, fan, thermostat, capillary tubes, filter and light fitting with switches. The warm element is installed in the machinery compartment and consists of: refrigeration compressor, condenser, fan, electrical cabinet and defrosting timer. There are several reasons why the warm element should not be installed in an adjacent room: heat emission, lack of space, aesthetic grounds etc.

The units require a power supply of 220-240VAC 50 Hz and must be connected to an earthed min.10A mains socket. The power cable is connected to the condenser. If the cable is not long enough (2.6m) call an electrician to install a socket closer. The mains socket must be easily accessible for installation/service. The warm element can be located up to 10m pipe length from the cold room, and the two parts must be connected by copper pipe and electric cable. The mains socket must be easily accessible for installation/service.

It is essential that there is sufficient ventilation around the warm element in the machinery compartment. Ambient temperature on the warm side outside the cold room must always be higher than inside, but must not exceed 38°C, or be less than 16°C.

Scandinavian Appliances AS also supplies other products that you need for a self-build cold room.

Scandinavian Appliances AS consumer products are sold for normal use in private households. Split units must only be installed by a refrigeration engineer. To ensure correct use and thereby extend the product service life, please read these instructions carefully. The manufacturer will not assume liability for any damage resulting from non-compliance with the instructions. The product will require maintenance even in normal use, plus replacement of components which are worn out can be necessary. These are not covered during the warranty period but are covered by the guarantee in accordance with the Sale of Goods Act.

Other authorities can apply regulations for e.g. lighting, alarm and the like for installation. The electrical safety of the appliance is only guaranteed when it is installed in accordance with the regulations and supplied with the prescribed voltage.

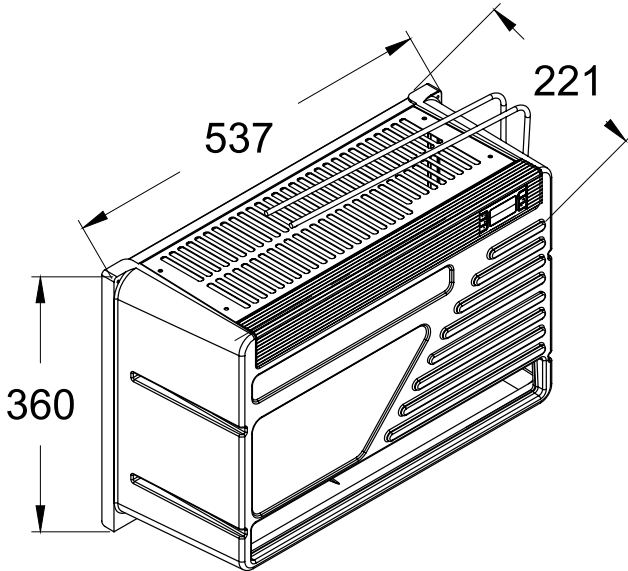
Never allow the unit to be permanently connected via an extension lead. Disconnect plug when cleaning.

The appliance is not intended for use by persons (including children) with reduced physical, sensory or mental capabilities, or lack of experience and knowledge, unless they have been given supervision or instruction concerning use of the appliance by a person responsible for their safety. Children should be supervised to ensure that they do not play with the appliance.

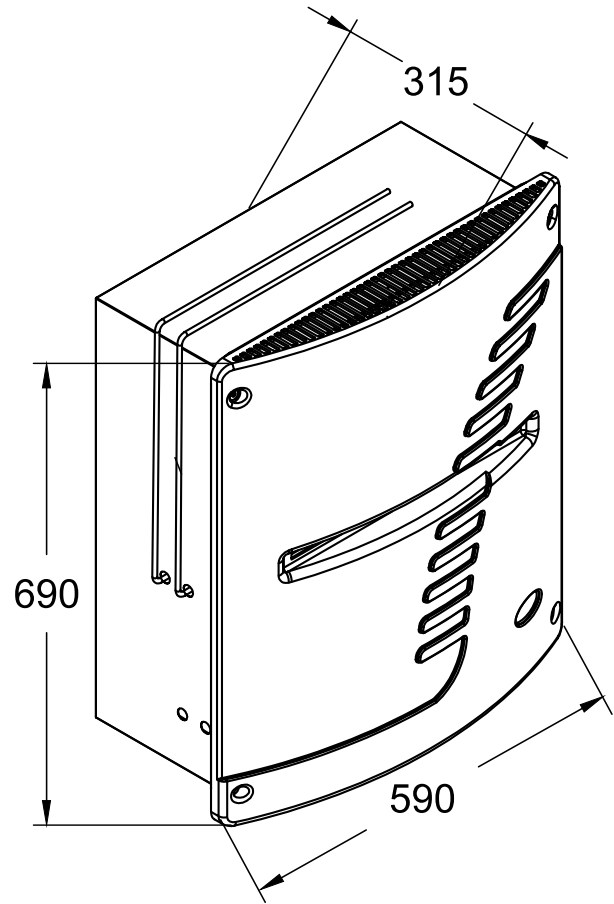
Data plate with serial number is located on the front of the condenser and at the right side of the condenser element. Always state the serial number when contacting the service company or the manufacturer. Repairs must only be made by qualified personnel.

Scandinavian Appliances AS disclaims all liability for typographical errors in these instructions and reserves the right to alter the product specifications.

3. Dimensions and technical specification



CU-450 Spilt ECO cold element
Evaporator element



External dimensions, warm element	w590 x h690 x d315mm
External dimensions, cold element	w537 x h360 x d221mm
Power Max.	Max. 500W
Lighting	6.5W LED
Defrost	Automatic
Coolant	R290
Net weight cold element	8.5 kg

Net weight warm element	27 kg
Power cable length	2.6 m
Compressor	Cubigel NUY80RA1
Volt/Hz	220-240V AC 50Hz
Capacity	Up to 10,000 litres
Thermostat setting	2-18°C (default 5 °C)
Ambient temperature	16-38°C
Unit cold element installed on wall	

First, unpack the cabinet and check it for any transport damage. Do not use a damaged cooling unit. In the event of damage, please contact the shipping company and make sure that the damage is noted on the consignment note. Check that all the items on the item list are present. Contact the manufacturer in the event of damage or missing parts.

Do not locate the unit directly opposite the door as this can cause condensation on the magnetic seals.

The unit is fitted with a defrost timer. This ensures that the evaporator melts the frost every 210 minutes. Defrost water must be drained to a collection tank, drum or the like. Can also be connected to a drain.

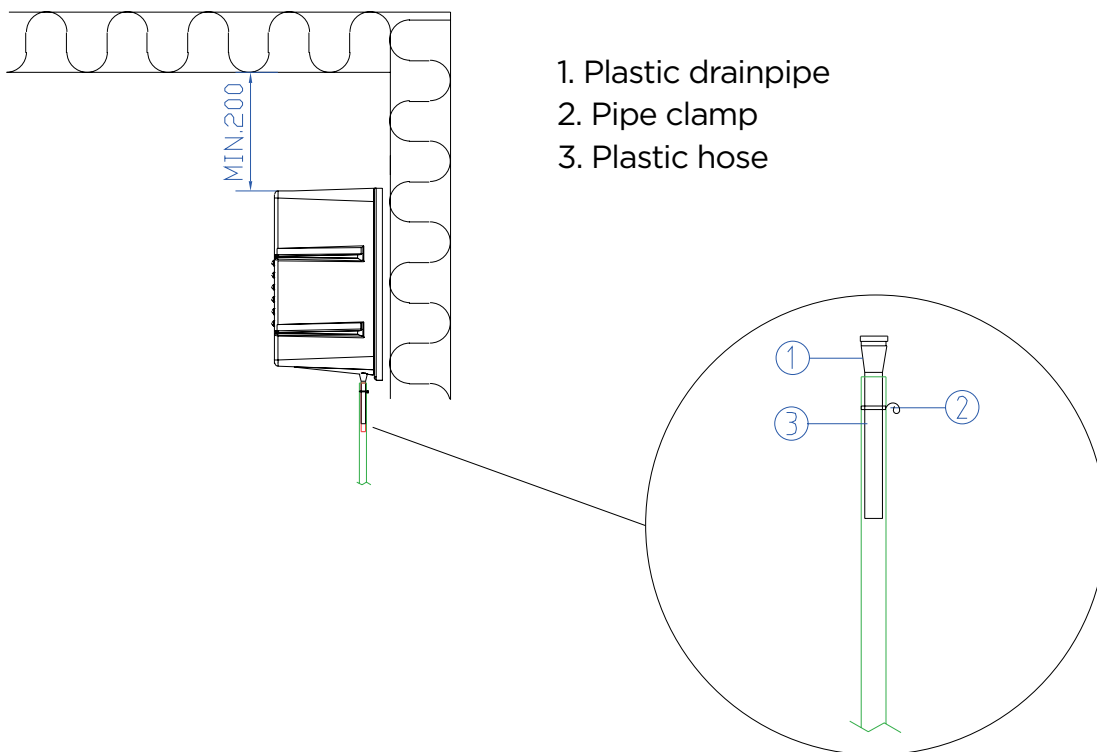
NOTE: Remember a water lock if connecting to a drain.

Installation must be performed by a refrigeration engineer.

5.1 Evaporator element

1. Install evaporator element using 6 x 4.2 x 32mm screws on wall 200 – 300mm down from ceiling and with space at sides for pipe installation.
2. Do not locate the unit directly opposite the door as this can cause condensation on the magnetic seals around the door.
3. Pipe connection is on right side of evaporator. Prepare appropriate piping. Install dry filter.
4. Prepare for electric connection between units.
5. Fit cover using 6 x 4.2 x 32mm screws.
6. Connect plastic hose to drain nozzle

NOTE: Reinforce join with plastic drainpipe. See diagram.



5.2 Condenser element

- Mount shelf (galvanised element) on wall using the 5 screws supplied.
- Secure foam insulation on rear, nearest the galvanised element.
- Place condenser element on shelf, secure at top using screw and rubber sleeve.

Drain condensation to a container (tub or the like) or to a floor drain using a plastic hose (remember a U-bend).

5.3 Refrigeration installation

Suction pipe (8mm) and fluid pipe (6mm) connected (braised) to nozzles on condenser and evaporator element.

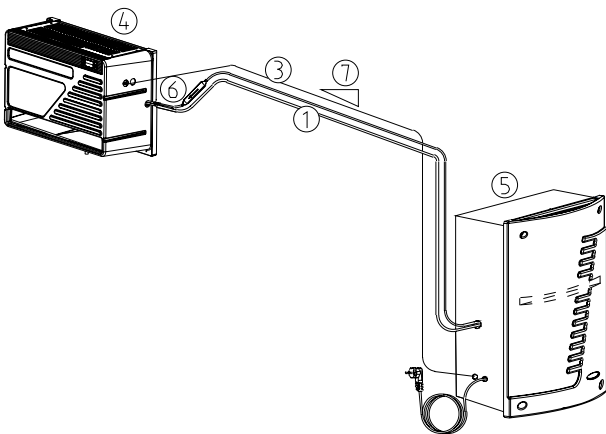
NOTE: Remember filter. Pipes should be insulated.

Pressure test unit. Evacuate and fill with R290 coolant. Evaporation temperature -10 °C.

NOTE: An oil lock may be required.

Alternative 1

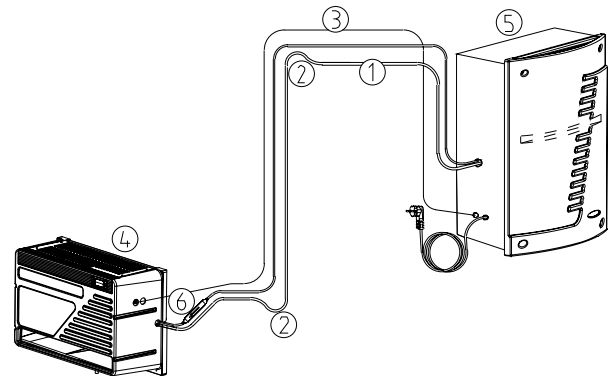
Pipes can be installed with a fall towards the evaporator element all the way from where they go down to the machine element.



Alternative 2

Oil lock must be fitted so that the entire height difference is a vertical pipe with oil lock up and down.

NOTE: It is vital to avoid oil pockets, i.e. a completely level horizontal stretch.



- 1. Suction pipe
- 2. Oil lock
- 3. Electric cable 3 plus earth
- 4. Cold element
- 5. Warm element
- 6. Filter
- 7. Fall

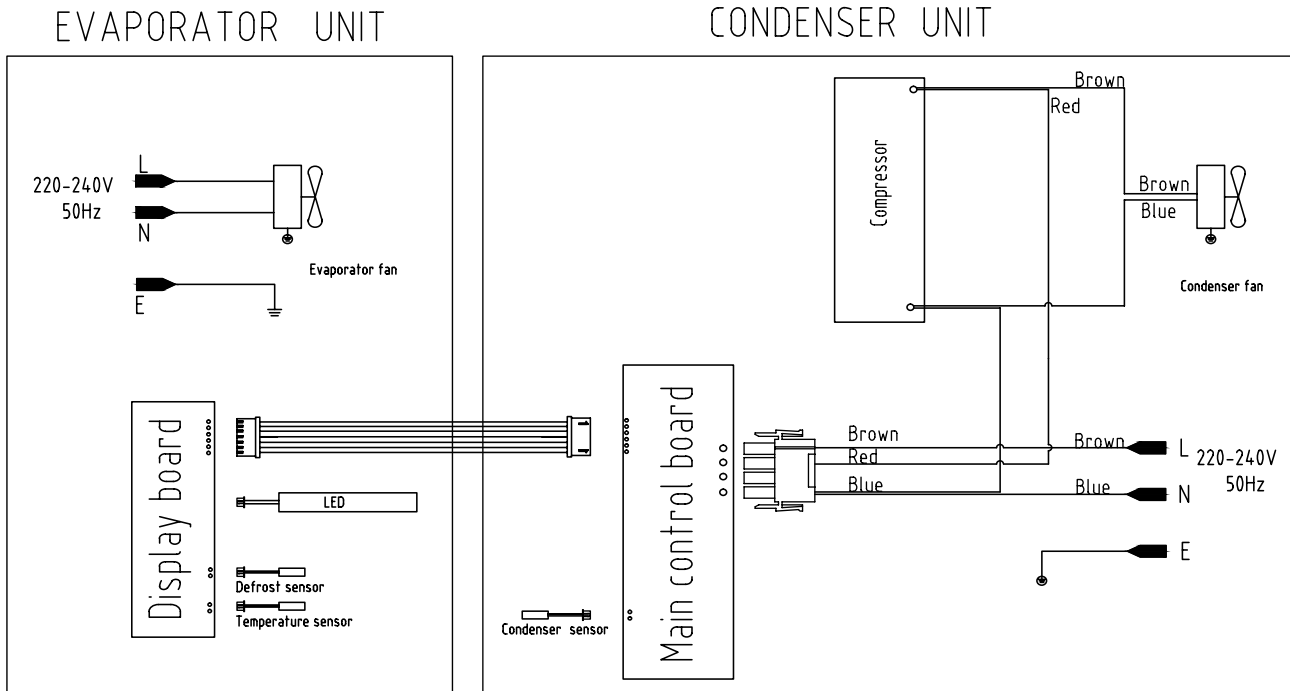
During installation, adjust the filling amount according to the length of copper pipe, referring to the following:

Length of copper tube	0 m	2 m	4 m	6 m	8 m	10 m
Liquid addition	86 g	95 g	100 g	110 g	110 g	120 g

5.4 Electric connections

Run a 2 wire plus earth cable (for minimum 10A current) from cable clamp on evaporator element to that on the condenser element. Connection diagram built in to condenser element cover.

5.5 Wiring diagram








6.1 Replacing the LED bars for CU-450 Split ECO

The LED bars must be replaced by authorized technician.

6.2 Controller icons and temperature settings

The unit is equipped with an electronic controller located on the cover of the cold side

-  Indicates compressor is activated.
-  Indicates fan is activated.
-  Indicates defrosting is activated.
-  Indicates parameter programming.
-  Indicates buzzer alarm occurred.



The controller has a range of 2 °C – 18 °C, with default setting of 5 °C. In order to adjust the set point please follow the steps below:

- Press and hold ‘SET’ for two seconds, the display will flash the current set point value.
- Press ‘UP’ or ‘DOWN’ arrow button to adjust the temperature.
- Press ‘SET’ again or do nothing for 30 seconds and the system will automatically save the setting and end setting mode

6.3 Switching on / off the light

- Press ‘Lig’ to turn on/off the light.

6.4 Manual defrost

- Press and hold ‘def/down’ button for 8 seconds to start manual defrost. The defrost will stop automatically when the deicing temperature is reached.

6.5 Alarm function

If the temperature of the compressor exceeds a specific value the controller will generate an audible alarm. If the alarm sounds and the display show the code “ACH” you need to clean the condenser filter and the condenser as described in the “Cleaning & Maintenance” section and reset the alarm by pressing the “Mute” controller button. If the problem persists, please order service call.

If the compressor’s temperature exceeds the compressor’s operating temperature limits, the controller will generate an audible alarm and shut down the cooling system, as high temperatures can reduce the cooler’s service life considerably. In this case you need to clean both the filter and the condenser as described in the “Cleaning & Maintenance” section, and reset the alarm and the cooling system by pressing the “Mute” controller button. If the problem persists, please order service call.

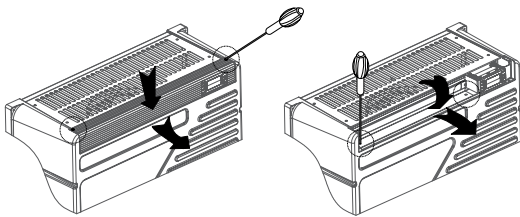
6. Using the Appliance

6.6 Cleaning and maintenance

To achieve optimum operation (longer service life) it is important that the condenser is cleaned to remove dust and dirt regularly, at least four times per year, in addition to other requirements.

To access condenser, remove the 4 screws on the cover of the condenser element. Remember! Disconnect mains plug before removal. Cleaning the condenser is best performed by vacuum cleaning the condenser fins. On CU-450 Split they are placed on the underside of the condenser. Exercise caution. The fins are thin and easily damaged. Replace cover after cleaning. Check drain on cold side to ensure the water can run freely to the collection tank, drum or the like, on the cold room side.

To avoid mould forming, bad smells etc, regular cleaning (including inside the cold room) is essential. We recommend mild, warm soapy water for cleaning inside the cold room.



Remove the screw, press the lid, remove the screw and remove the LED lamp.

Using the appliance

	<ul style="list-style-type: none"> • Keep clear of obstruction all ventilation openings in the appliance enclosure or in the structure for building-in. • Do not use mechanical devices or other means to accelerate the defrosting process, other than those recommended by the manufacturer. • Do not damage the refrigerant circuit. • Do not store explosive substances such as aerosol cans with a flammable propellant in the cold room of this appliance. • Do not use electrical appliances inside the cold room of the appliance, unless they are of the type recommended by the manufacturer. • The door to use for assembling the cold room, shall be made in a way that can be opened from the inside with a force smaller than 70N.
	<p>Concerning the cooling room this cooling unit is built into, observe the following:</p> <ul style="list-style-type: none"> • Children aged from 3 to 8 years are allowed to load and unload the cooling room. • Consider the temperature distribution in the cooling room concerning storage of specific types of food. • Opening the door for long periods can cause a significant increase of the temperature in the compartment of the appliance. • Clear regularly surfaces that can come in contact with food and accessible drainage systems. • Store raw meat and fish in suitable containers in the refrigerator, so that it is not in contact with or drip onto other food. • If it is left empty for long periods, switch off, defrost, clean, dry, and leave the door open to prevent mould developing within the cooling room.

FAULT	CAUSE	REMEDY
Unit not cooling sufficiently.	<ol style="list-style-type: none"> 1. Controller set point too high. 2. Ambient temperature too high. 3. Ambient temperature too low. 4. Door not sealed/closed. 5. Condenser blocked (dust etc.). 6. Evaporator iced up. 	<ol style="list-style-type: none"> 1. Adjust set point to lower value. 2. Reduce temperature in room at the unit's warm side. Check that the air flow is unobstructed over and under the unit. 3. Increase temperature in room at the unit's warm side. 4. Check door is sealed/closed. 5. Remove and clean dust filter. 6. Switch off the unit to defrost.
Unit not working	<ol style="list-style-type: none"> 1. Fuses. 2. Mains power cable. 	<ol style="list-style-type: none"> 1. Check fuses in main house fuse box. 2. Check power cable is properly-connected to the mains socket.
Light/fan not working.	<ol style="list-style-type: none"> 1. LED or power supply defective. 2. Fan defective. 	<ol style="list-style-type: none"> 1. Order service call. 2. Order service call.
Water leak	<ol style="list-style-type: none"> 1. Drainpipe blocked. 2. Drip pan leaking. 3. Warm air getting into cold room. 	<ol style="list-style-type: none"> 1. If possible, remove blockage. 2. Order service call. 3. Check magnetic seal on door, locate leak and repair.
Controller Error code	<ol style="list-style-type: none"> 1. E0, temperature sensor error. 2. E1, defrost sensor error. 3. E2, condenser sensor error. 4. H1, high temperature alarm. 5. AC, condenser high temperature alarm. 6. ACH, condenser excess temperature alarm. 	<ol style="list-style-type: none"> 1.- 3. Unplug the power cord for two minutes, and reconnect. If problem remains, order service call. 4. Check compressor icon, order service call. 5. Clean the dust filter, and check that airflow is unobstructed over and under the front cover on warm side. 6. Clean dust filter.

For service, see our website at www.norcool.com.

By checking the above before calling for service help, you will help the service engineer know what parts they may need to bring and what measures to take.

This is based on guidelines laid down in environment protection legislation according to the European Parliament's directives on disposal of electric and electronic products (WEEE). The directive is intended to protect and improve the environment, protect human health and exploit natural resources sparingly and sensibly.

We kindly ask you, the end-user, to observe the following:

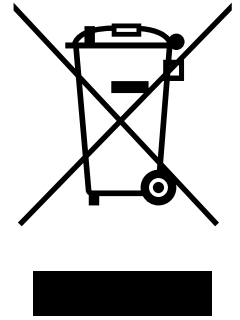
1. If the product stops working, including after having been repaired, check if it can be repaired before you dispose of it. If in doubt, contact your vendor or dealer for further information on possible repair of the product.
2. If the product is at the end of its service life – i.e. cannot be repaired or recycled, do not dispose of the product with other unsorted refuse. Contact your local waste disposal or recycling facility, in order for them to collect the product for recycling. To contribute to the improvement and recycling process of this product, do not remove or destroy parts of the product before collection. By doing so you can reduce its potential for recycling.

NOTE: Disposing of electronic and electrical products in landfill and by incineration can cause severe harm to the environment. When worn out substances are not recycled, new resources have to be used for new products. This represents a loss of resources, as the consumption of energy, transport and the negative effect on the environment if such processes is great. Another problem is that this type of product can contain coolants with gases such as hydro fluorocarbon (HFC). HFC gases exacerbate the greenhouse effect which in turn causes a warmer climate when they are released into the atmosphere.

The symbol below, which is also found on the product, indicates separate collection of electric and electronic appliances based on the European Union's WEEE directive.


Disposal Old appliances still have some surplus value. An environmentally friendly approach will ensure that valuable raw materials are recycled. The refrigerants used in your equipment and insulation materials require special handling procedures. Make sure there is no pipe damage on the back of the equipment before handling. Up-to-date information on the options for disposing of old equipment and packaging from old equipment can be obtained from the local municipal office.

NOTE: If the product carries this symbol, it is your responsibility as consumer to contribute to recycling by ensuring the product is not disposed of with other refuse, but is delivered to your local refuse depot and recycling centre. Please contact the relevant authorities in your area for more information on collection schemes.

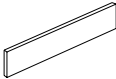
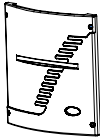
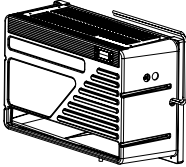

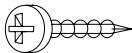






Finally, make sure you comply with all recycling legislation applicable in your municipality or your country.

9. CU-450 Split ECO item list

Figure:	Description:	Item number:	Qty:
	CU-450 Split ECO warm part	8900007748	1
	ST4.8x25	8900007704	5
	M5x16	8900006768	4
	ST4x30	8900006767	4
	M4x12	8900007706	2
	Skive 10x20 / Washer 10x20	8900007702	1
	Rubber pad	8900007698	1
	Brakett / Bracket	8900007694	1
	Top Plate	8900007695	1

9. CU-450 Split ECO item list

Figure:	Description:	Item number:	Qty:
	Tettelist / Cell rubber	8900007700	2
	Frontdeksel / Front cover	8900007684	1
	CU-450 Split ECO cold part	8900007749	1
	Filter / Dryer	8900007696	1
	ST4.2x32	8900007703	6
	Copper tube 6 x 80mm	8900007697	1
	Drain tube Ø11x1500mm	8900006771	1
	Pipe clamp	8900006766	1
	4m Connecting wire	8900007693	1



Scandinavian Appliances AS
Postboks 61
1740 Borgenhaugen
Norway
T: +47 815 69 117
post@norcool.no
www.norcool.no



Please visit our website for operating & installation instructions in other languages.

Version 1.0 - nov 2019