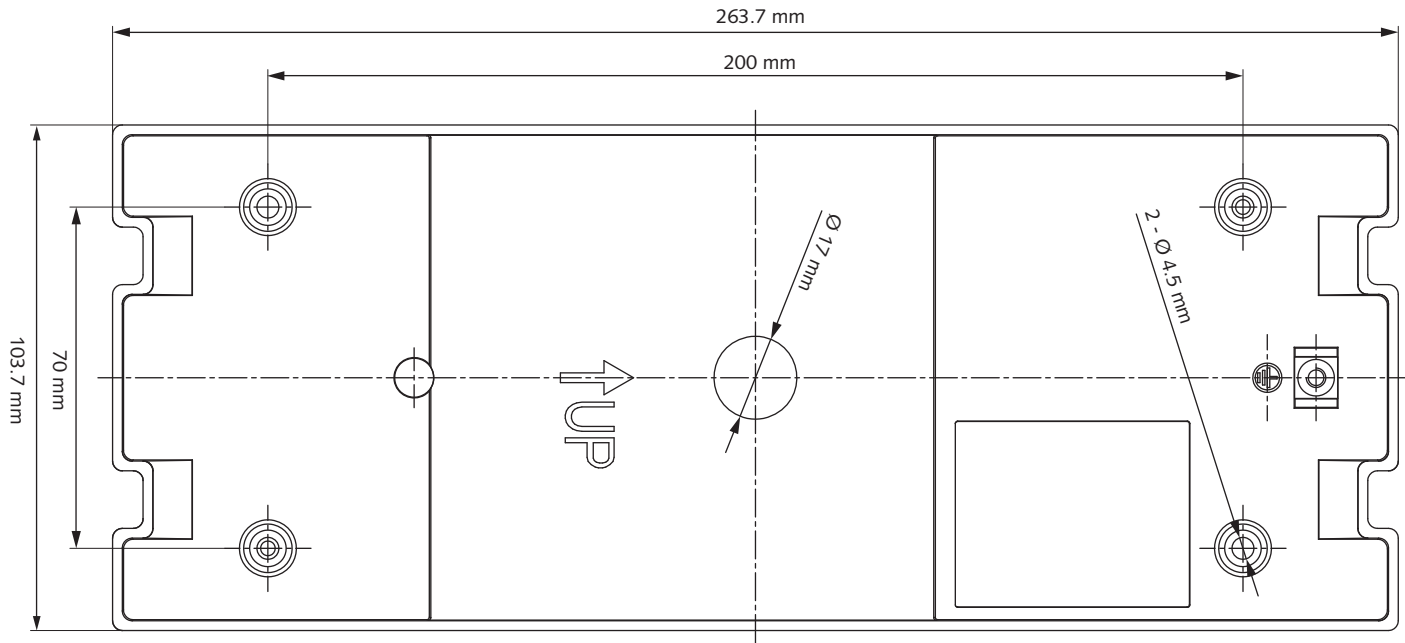


MALMBERGS



EMC Standard (EMC)

EN 55015:2013, EN 61547:2009, EN 61000-3-2:2014, EN 61000-3-3:2013

Safety Standard (LVD)

EN 60598-2-1:1989 used in conjunction with EN 60598-1:2015

RoHS Standard (RoHS)

IEC 62321-3-1:2013 scanning, IEC 62321-5:2013, IEC 62321-4:2013, IEC 62321:2008) Annex C, IEC 62321-7-1:2015, IEC 62321-6:2015

Declaration of Conformity

We hereby certify that the device satisfies the provisions for CE/RoHS markings in accordance with the EU directives (LVD Directive 2014/35/EU, EMC Directive 2004/108/EC, RoHS Directive 2011/65/EU) as described in this manual.

For and on behalf of:

Anders Folke

Malmbergs Elektriska AB, Sweden.
Mr. Anders Folke / Product Manager
Date: 11/11/2021