

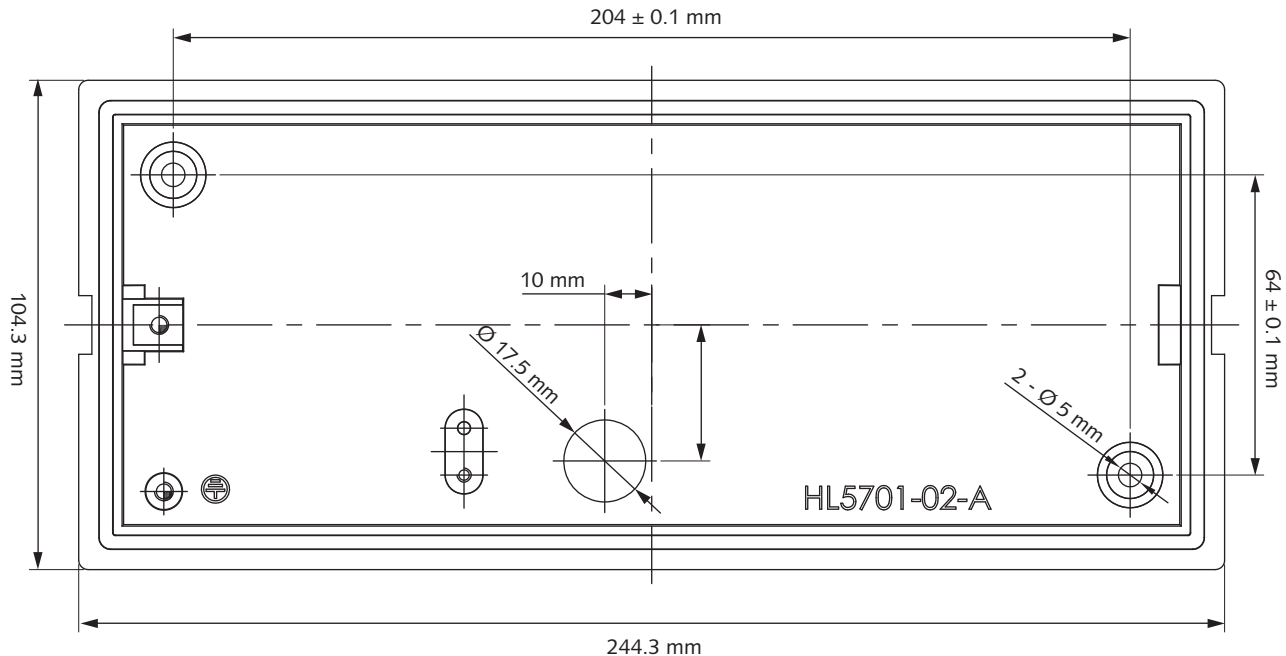
IP54

Max.
18W3x2.5
mm²

230V

RoHS CE

MALMBERGS



EMC Standard (EMC)

EN 55015:2013, EN 61547:2009, EN 61000-3-2:2014, EN 61000-3-3:2013

Safety Standard (LVD)

EN 60598-2-1:1989, EN 60598-1:2008+A11:2009, EN 62493:2010

RoHS Standard (RoHS)

IEC 62321-3-1:2013 scanning, IEC 62321-5:2013, IEC 62321-4:2013, IEC 62321:2008) Annex C, IEC 62321-7-1:2015, IEC 62321-6:2015

Declaration of Conformity

We hereby certify that the device satisfies the provisions for CE/RoHS markings in accordance with the EU directives (LVD Directive 2006/95/EC, EMC Directive 2004/108/EC, RoHS Directive 2011/65/EU, (EU) 2015/863) as described in this manual.

For and on behalf of:

Anders Folke

Malmbergs Elektriska AB, Sweden.

Mr. Anders Folke / Product Manager

Date: 02/11/2023