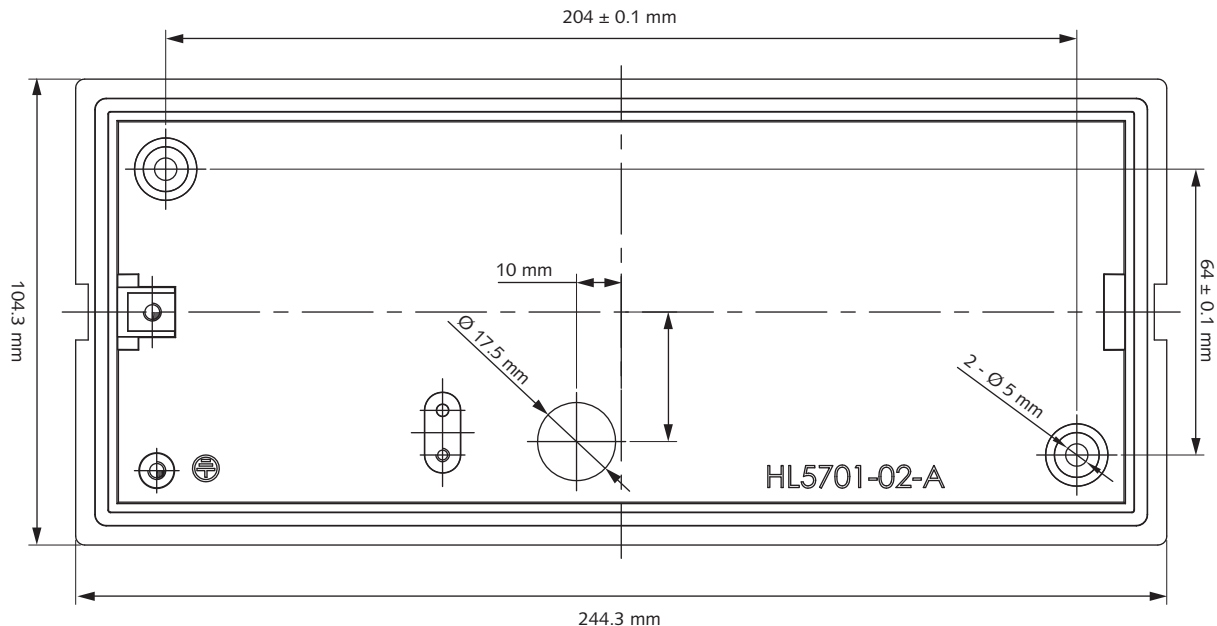


RoHS  

MALMBERGS



EMC Standard (EMC)

EN 62493:2015

Safety Standard (LVD)

EN 60598-2-1:1989, EN 60598-1:2015, EN 62493:2015

RoHS Standard (RoHS)

IEC 62321-3-1:2013 scanning, IEC 62321-5:2013, IEC 62321-4:2013, IEC 62321-7-2, IEC 62321-7-1:2015, IEC 62321-6:2015, IEC 62321-8:2017

Declaration of Conformity

We hereby certify that the device satisfies the provisions for CE marking in accordance with the EU directives (LVD Directive 2014/35/EU, EMC Directive 2004/108/EC, RoHS Directive 2011/65/EU, (EU) 2015/863) as described in this manual.

For and on behalf of:

Anders Folke

Malmbergs Elektriska AB, Sweden.
Mr. Anders Folke / Product Manager
Date: 24/11/2021