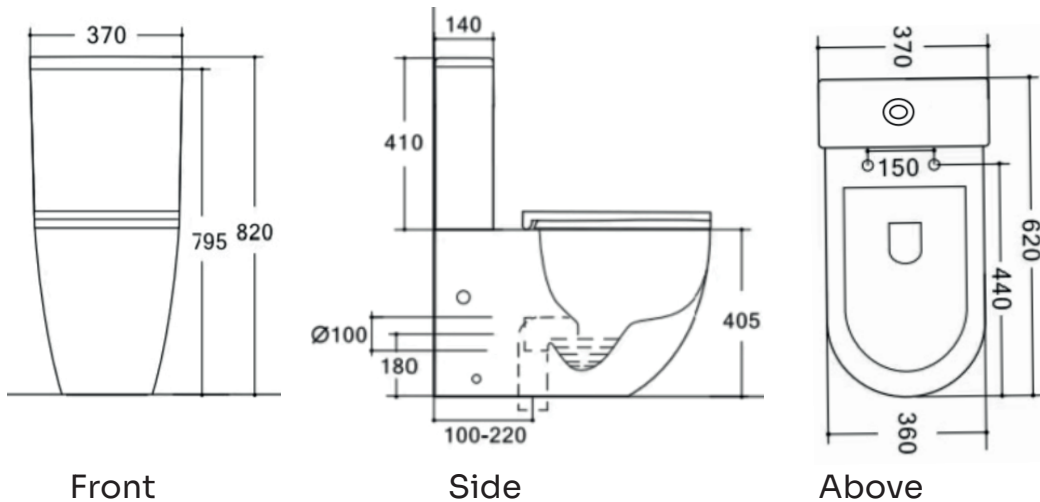


Studio BTW toilet

Art. No. 321111 & 321111MS

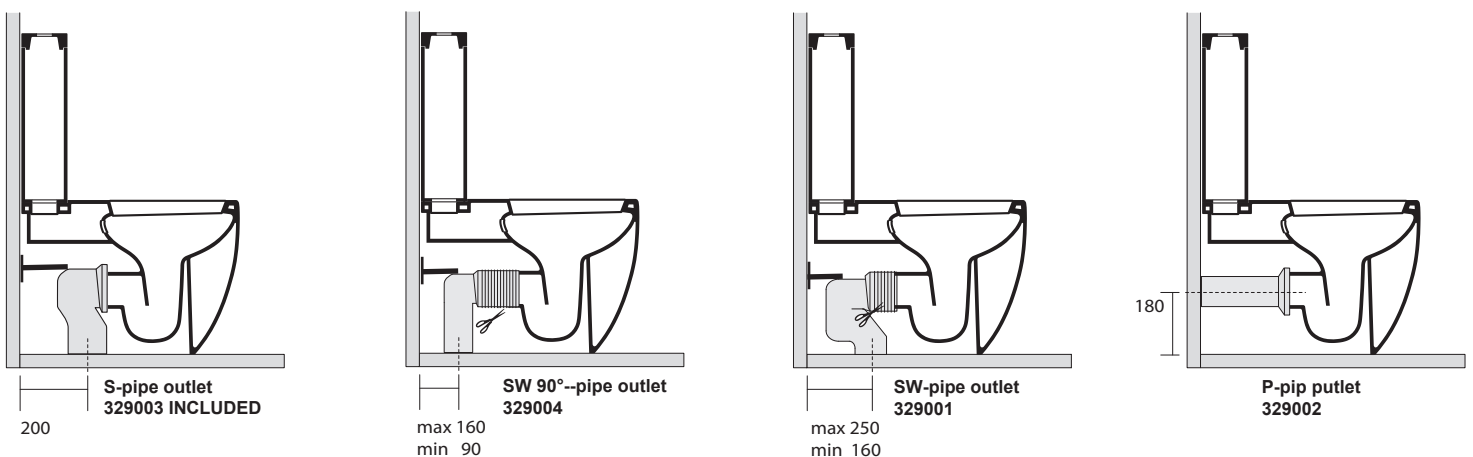
LAVABO®



ASSEMBLY INSTRUCTIONS

NOTE: All measurements for installation must be taken from the finished wall / floor and toilet. Listed measurements are indicative only..

1. Mark for water inlet and drain pipe.
2. Mark and drill holes for floor mounting brackets from the supplied toilet (picture 2). The floor mounting bracket can also be glued to the floor if there is a risk of hitting the underfloor heating pipes. Mark and fit the wall bracket, threaded rod and S-pipe, if the floor drain has an S-pipe (picture 3).
3. Place gasket on the pan and mount the cistern on the pan.
4. For S-pipe outlet - Prepare the floor drain according to picture 3 (S-pipe 140 mm - SW pipe min. 90 - max 140 mm). Mount the socket in the floor (not part of the delivery). Secure the S-pipe to the wall using threaded rod and wall bracket. Connect water (3 options, right - / left side or from behind). Push the toilet into the S-pipe.
5. For P-pipe outlet - Mount the P-pipe (not part of the delivery) in the wall (picture 5). Connect water. Push the toilet into the P-pipe.
6. Check that the toilet bowl is level (picture 6) and that the cistern is level against the wall. Adjust if necessary.
7. Flush and check for leaks.



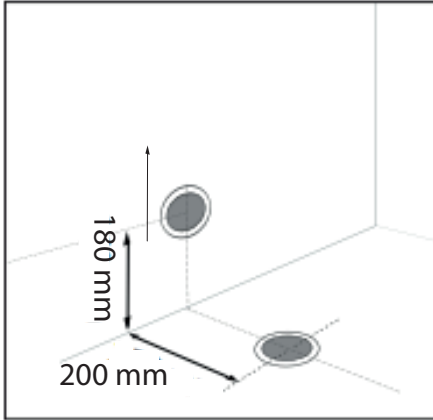
Studio BTW toilet

Art. No. 321111 & 321111MS

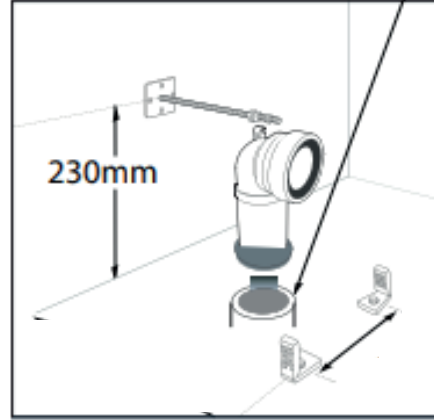
LAVABO®

ASSEMBLY INSTRUCTIONS

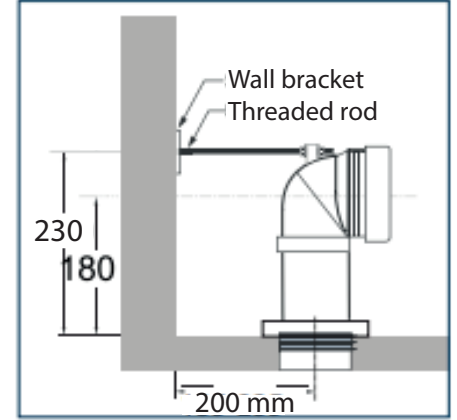
1. Marking



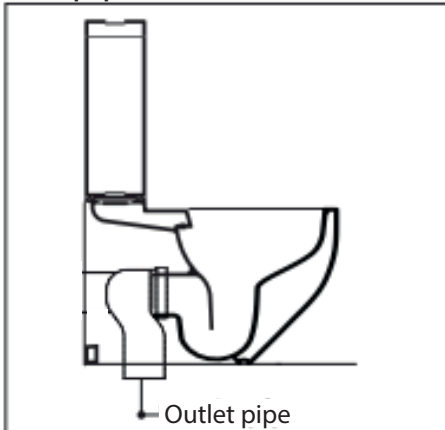
2. S-pipe connection



3. Wall bracket connection

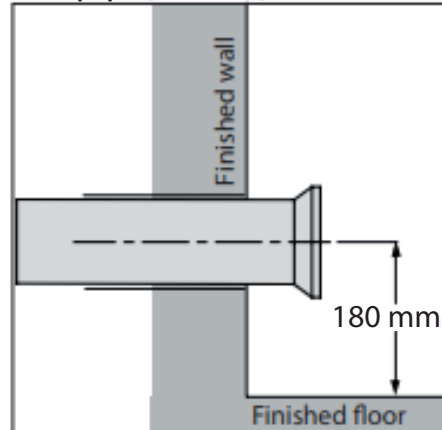


4. S-pipe connection

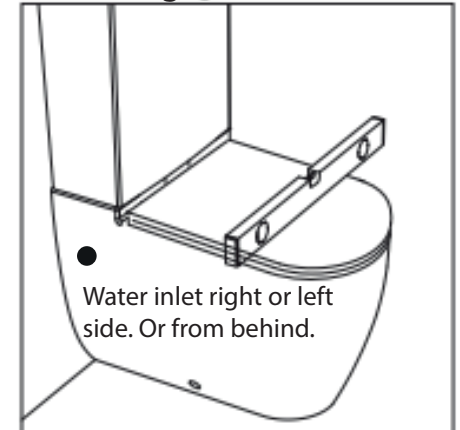


Outlet pipe in socket in the floor

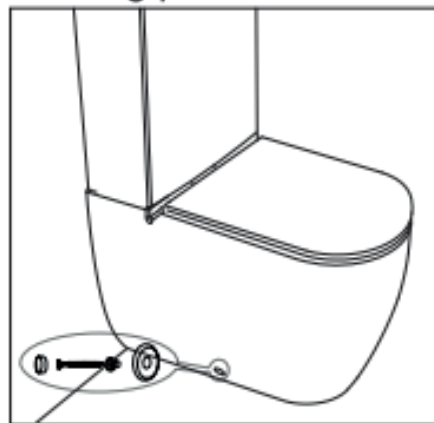
5. P-pipe connection



6. Leveling



7. Attach the toilet bowl to the floor



8. Seal the toilet bowl against the floor



Listed measurements are indicative, final measurements must be taken from the finished wall / floor as well as the supplied toilet.