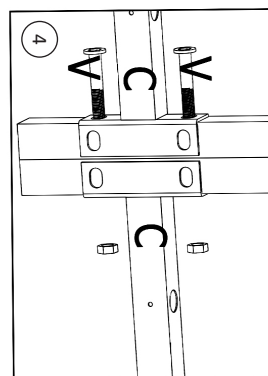
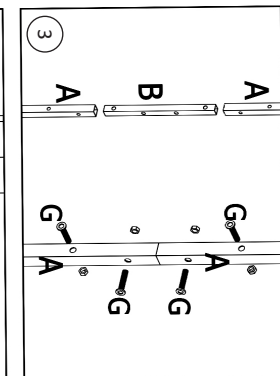
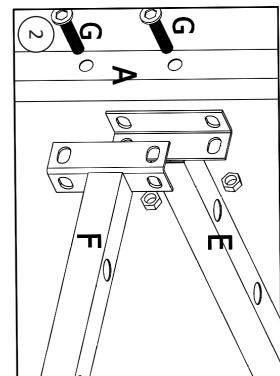
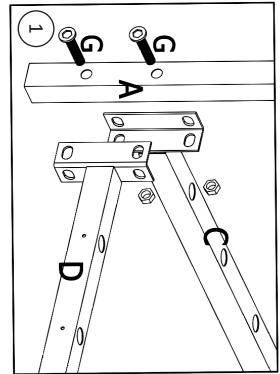
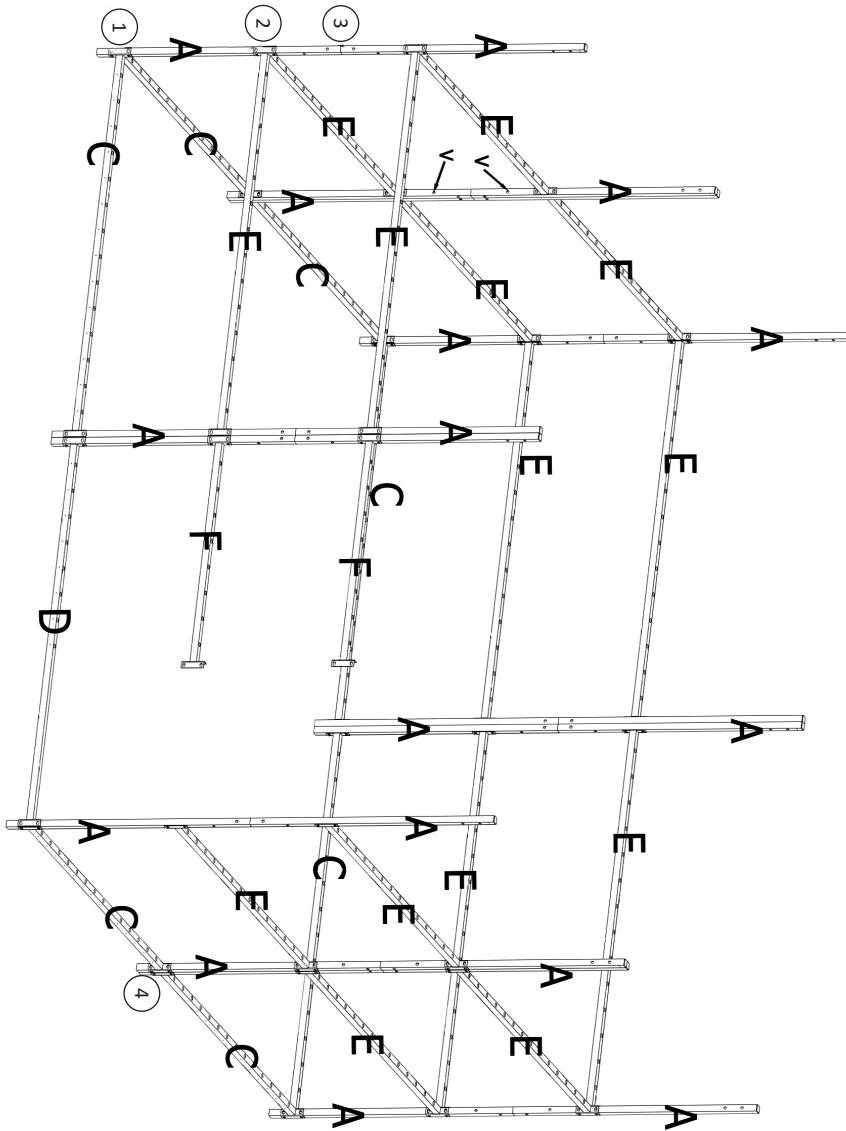
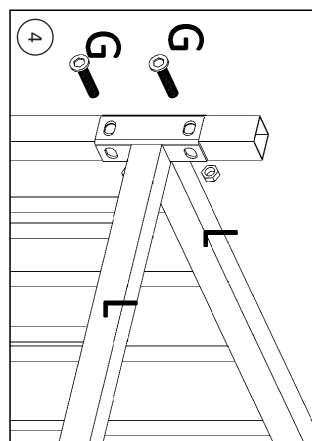
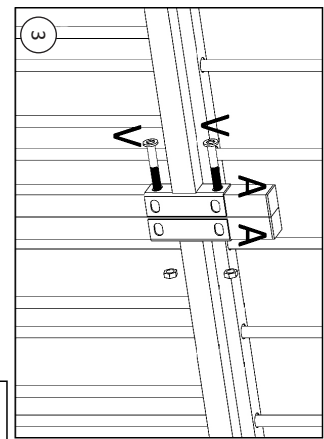
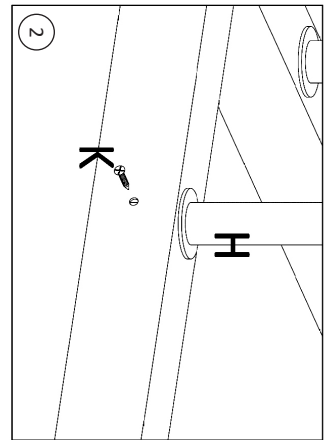
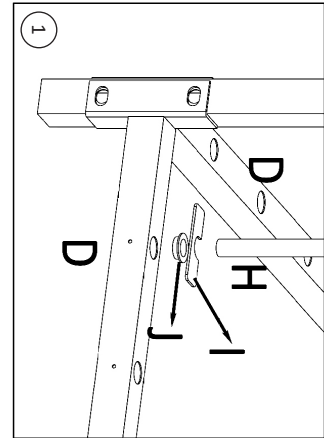
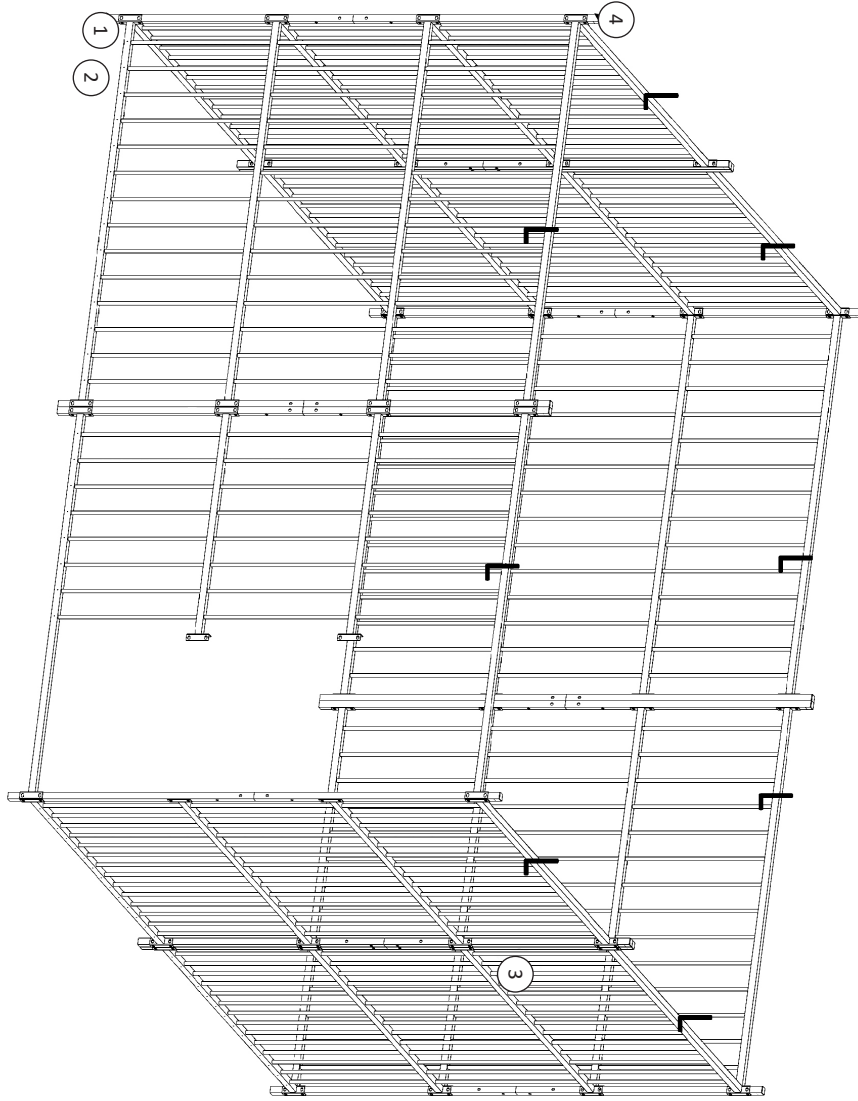


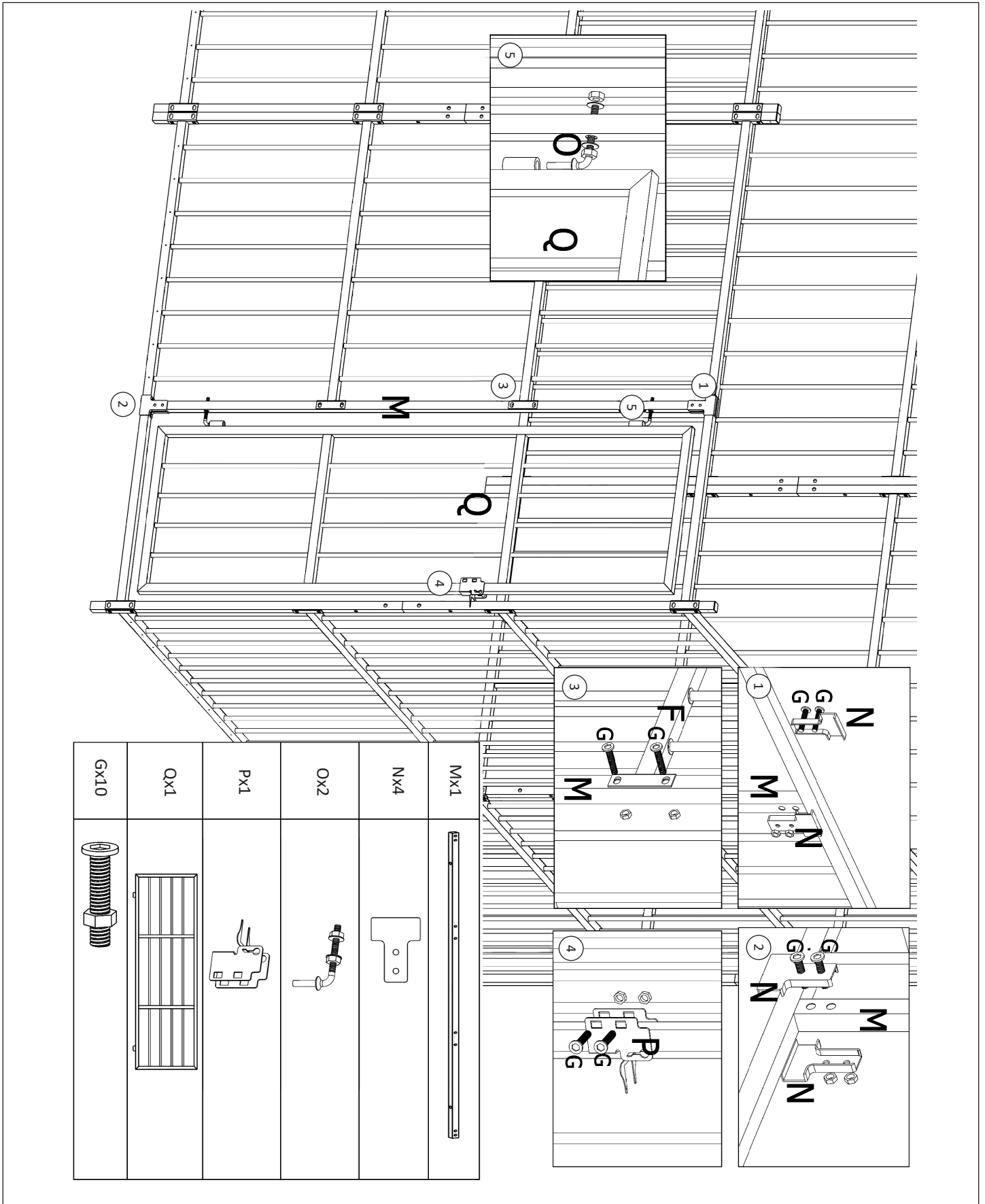
A		x24	B		x12
C		x7	D		x1
E		x14	F		x2
G	M8x $\frac{40}{1.6}$	x82	H		x106
I		x1	J		x318
K		x106	L		x8
M		x1	N		x8
O		x2	P		x1
Q		x1	Y		x1
R		$\frac{1455}{57.3}$ x1	S		x6
T		x1	U		x24
V	M8x $\frac{70}{2.8}$	x40	W		$\frac{1480}{58.3}$ x1
X		x2	Z		x3

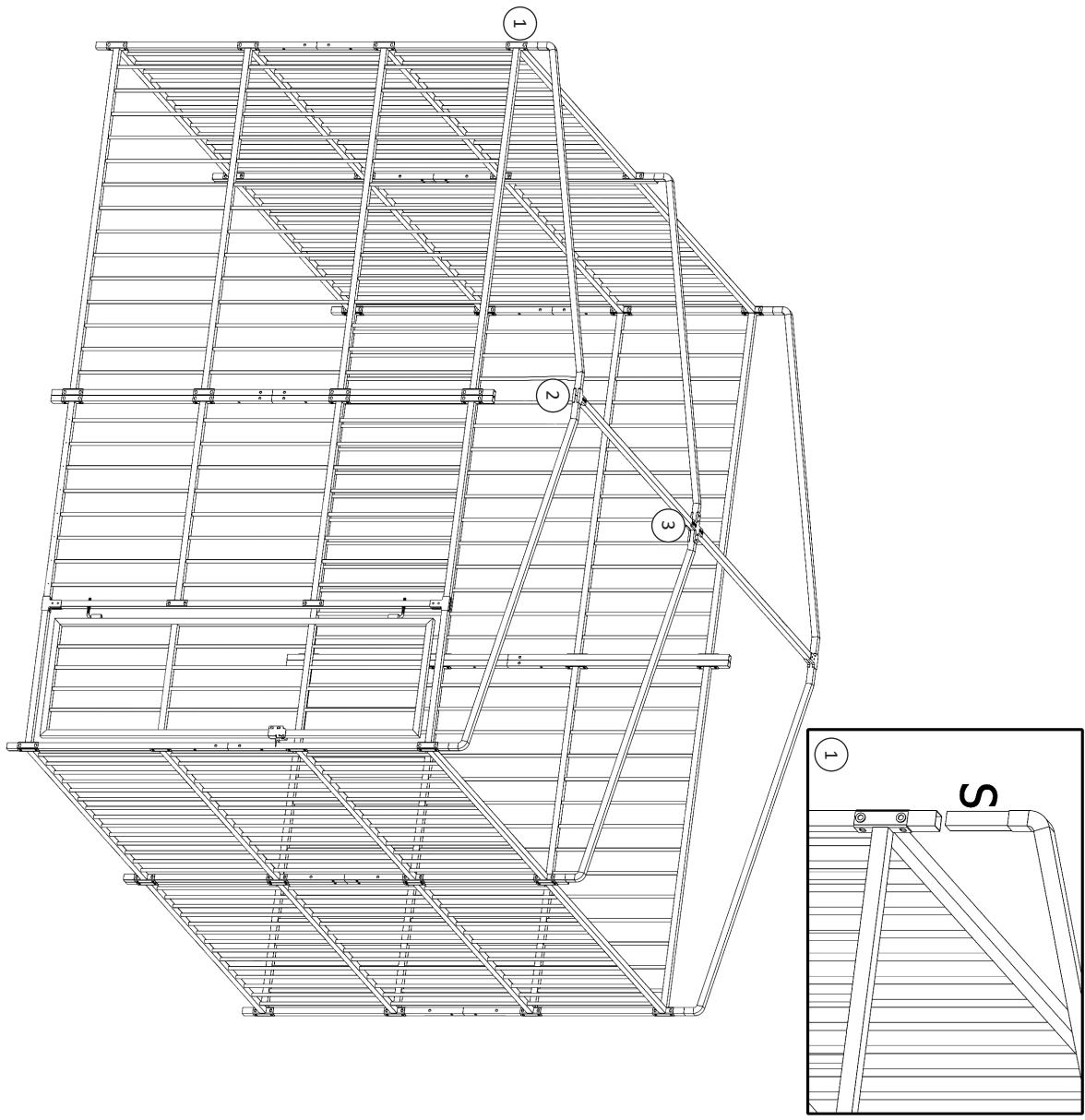


AX24	
Bx12	
Cx7	
Dx1	
Ex14	
Fx2	
Gx56	
Vx32	

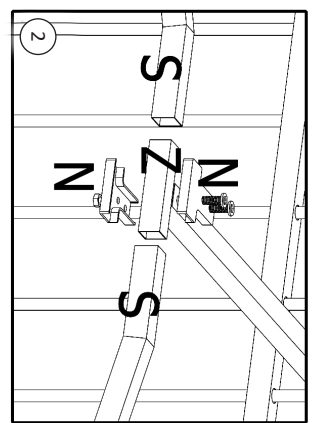
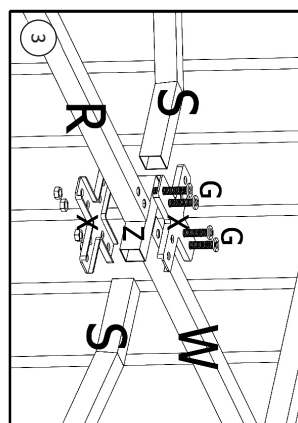


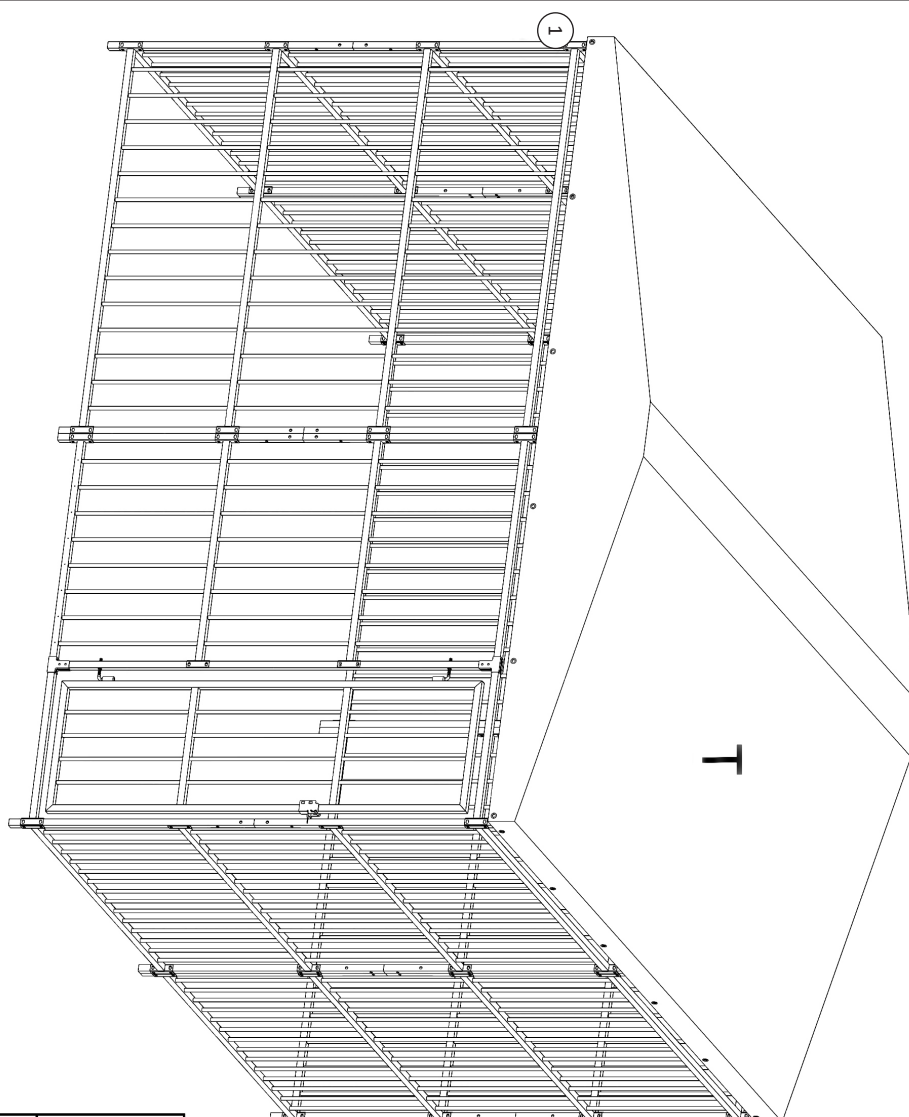
Hx106	
lx1	
Jx318	
Kx106	
Lx8	
Gx8	
Vx8	





Nx4	
Rx1	
Sx6	
Wx1	
Xx2	
Zx3	
Gx8	





UX24	Tx1
