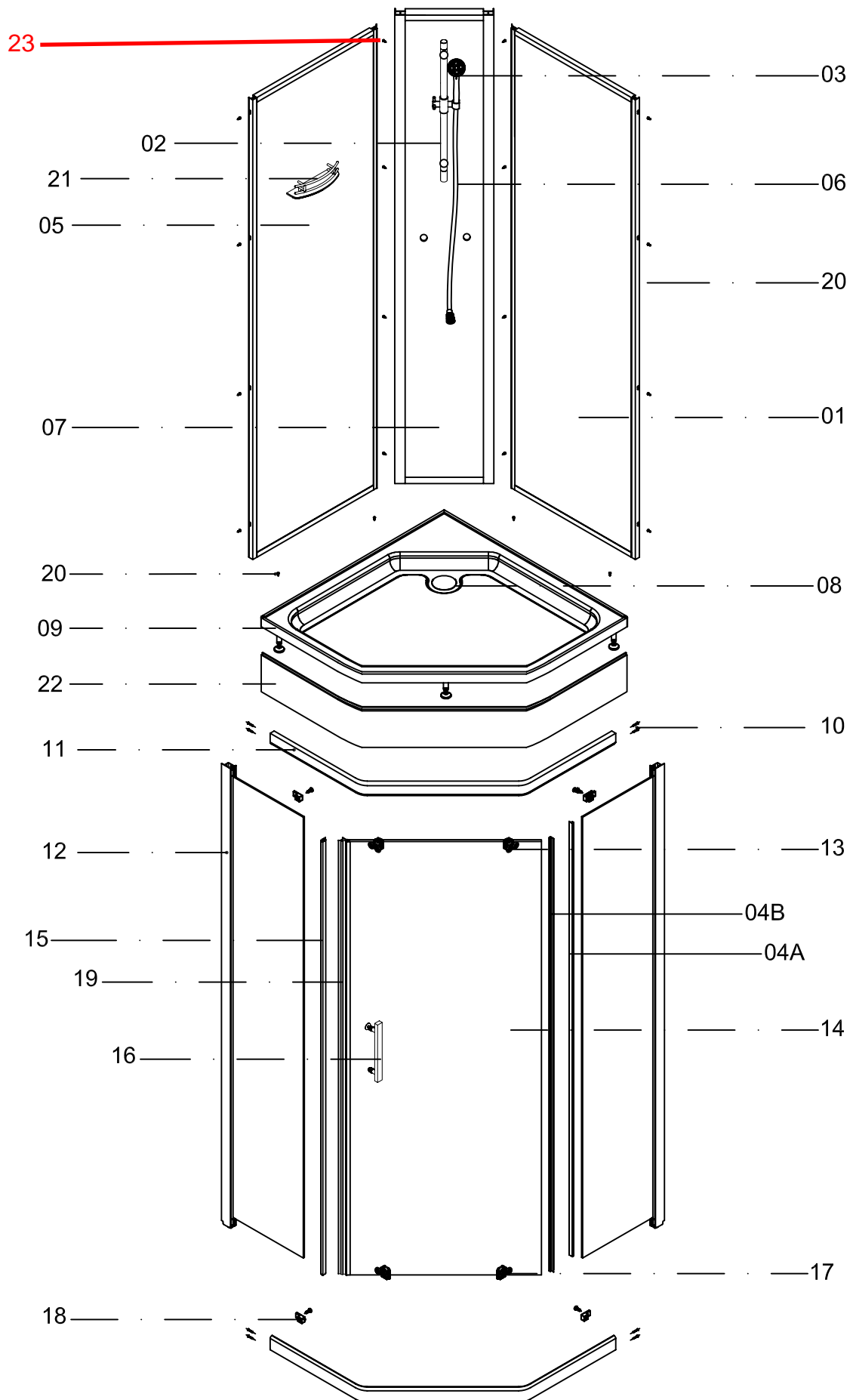
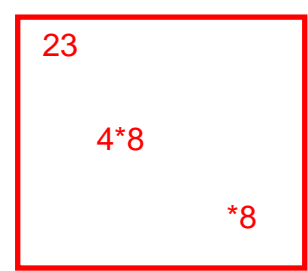
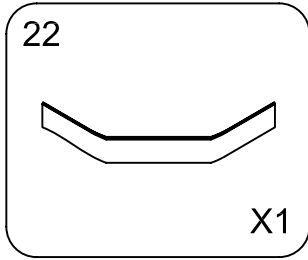
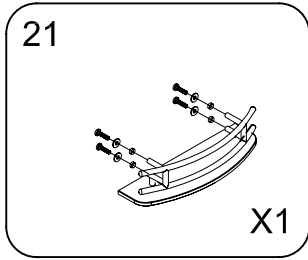
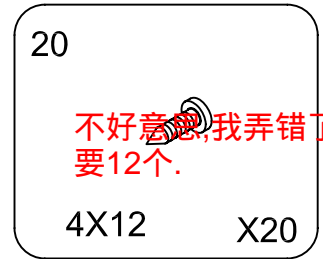
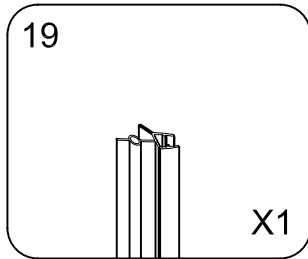
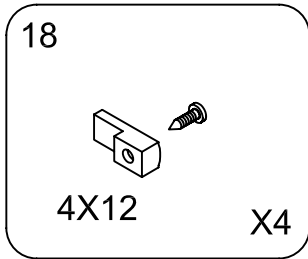
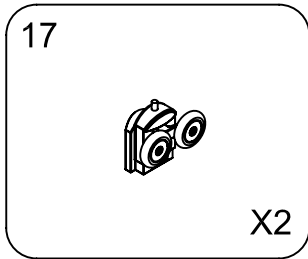
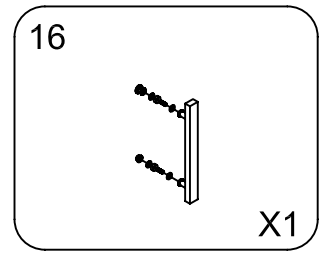
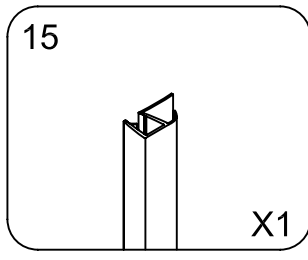
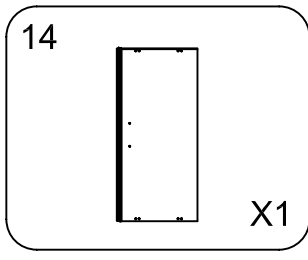
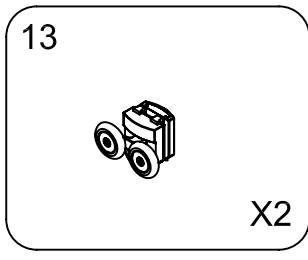
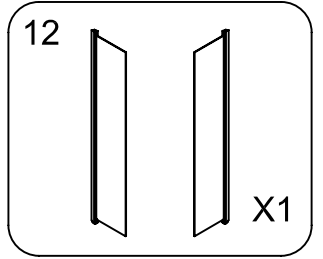
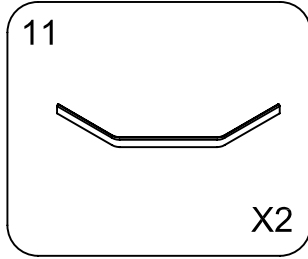
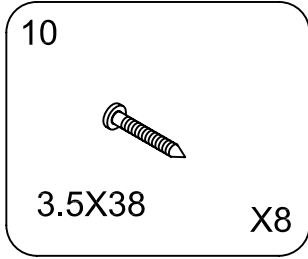
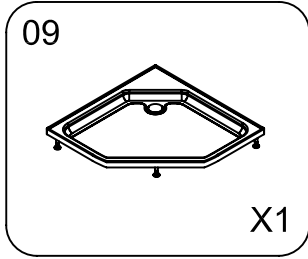
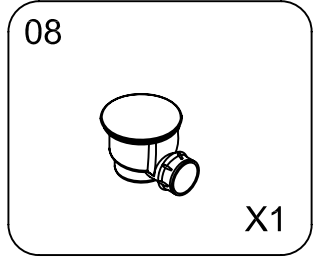
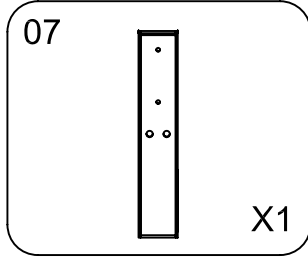
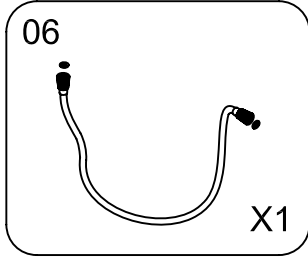
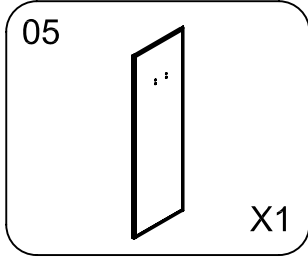
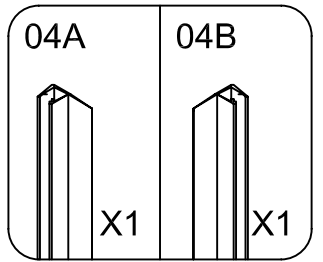
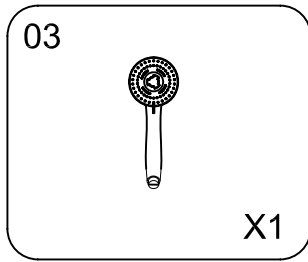
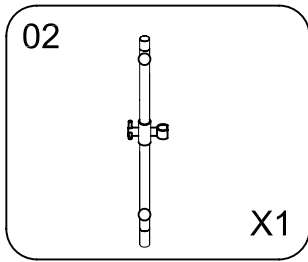
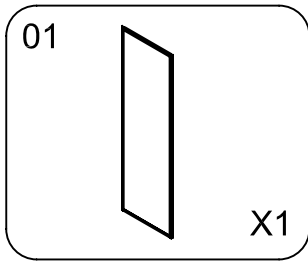
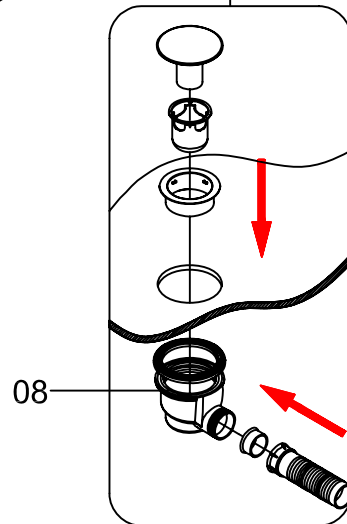
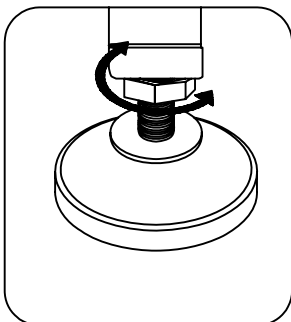
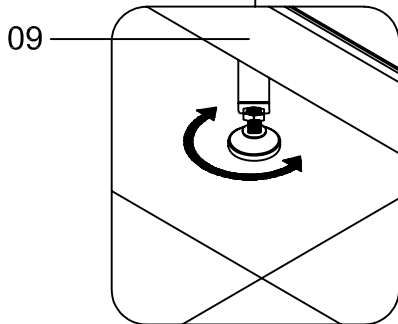
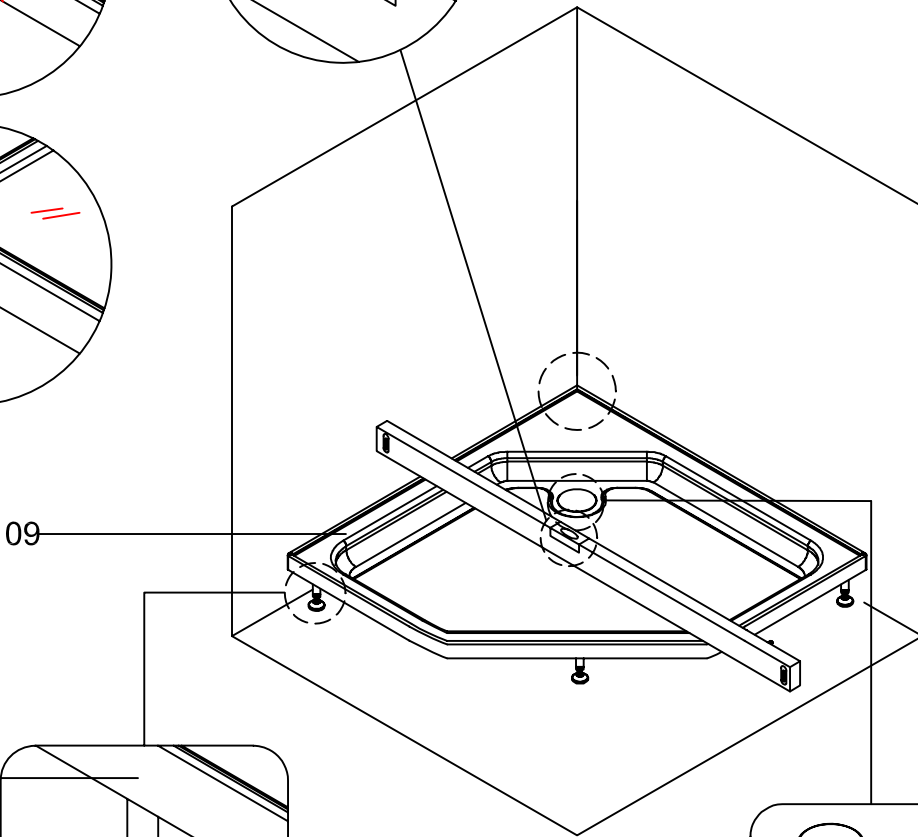
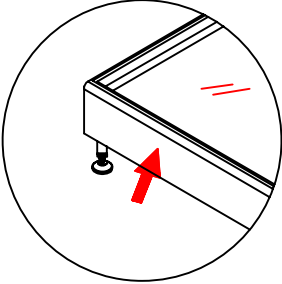
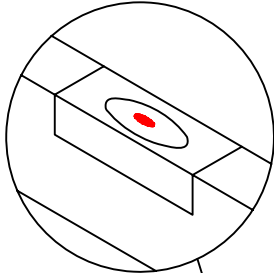
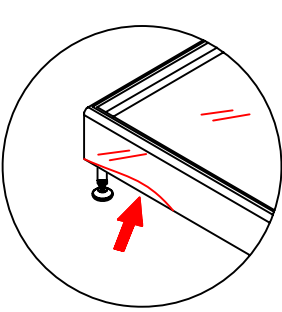
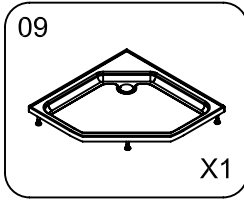
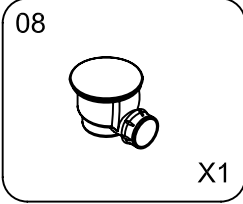
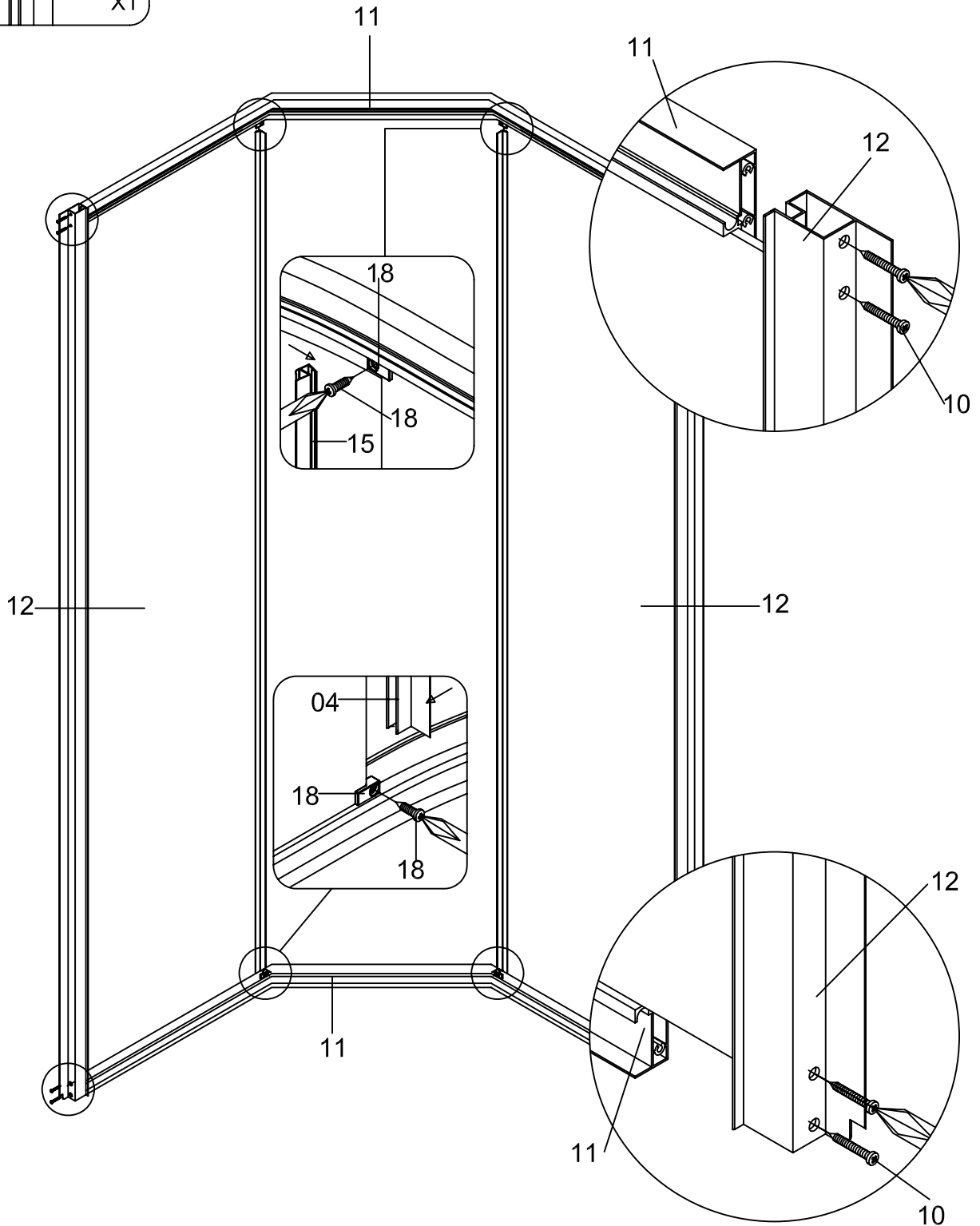
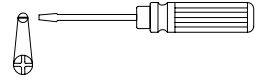
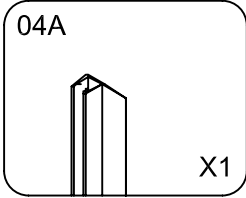
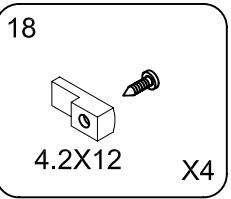
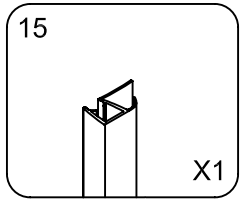
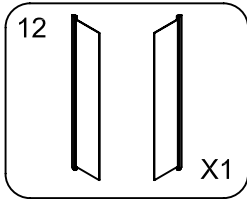
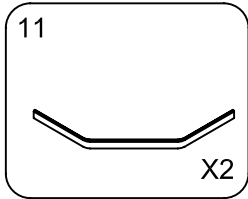
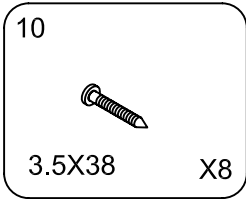


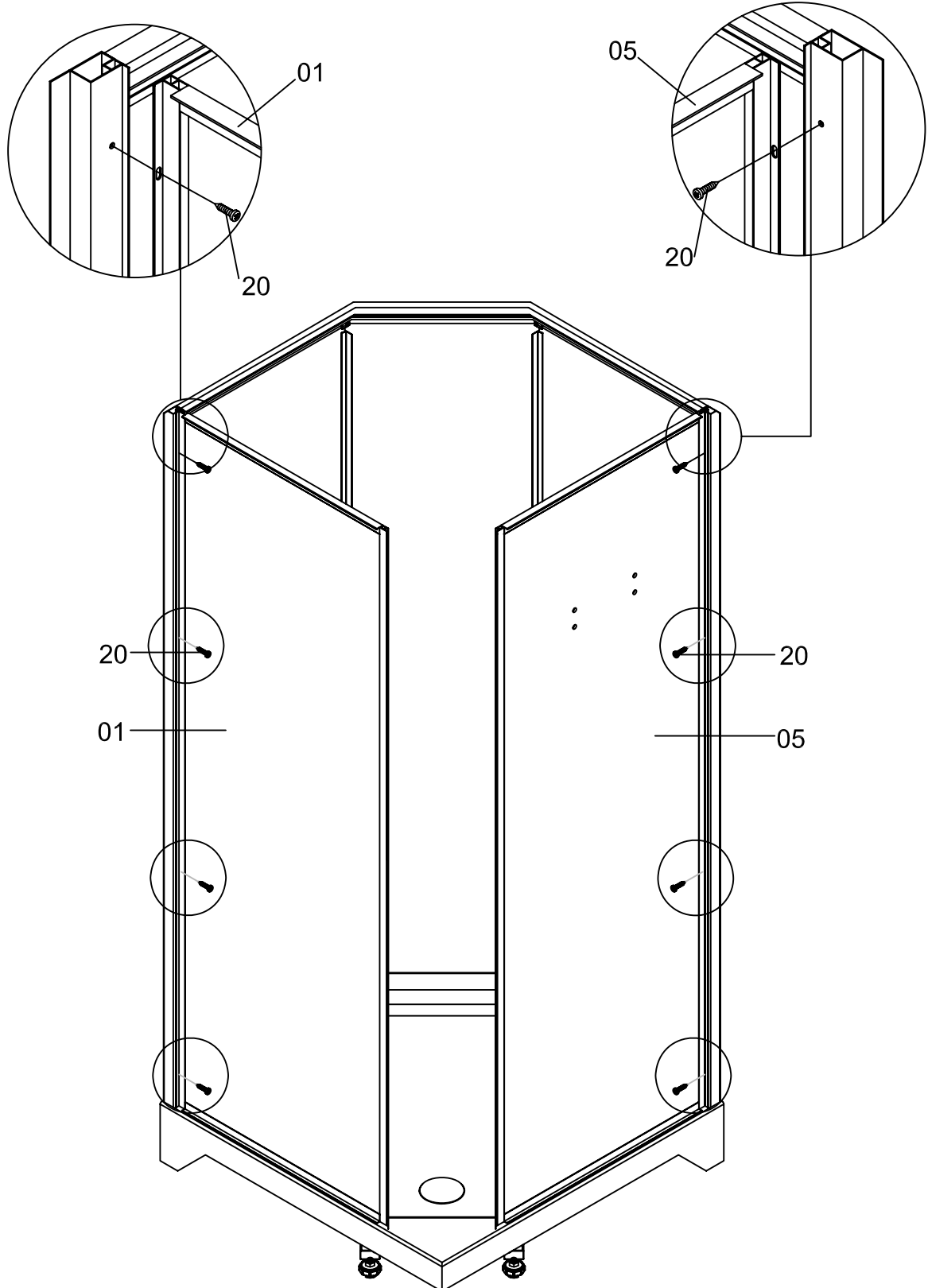
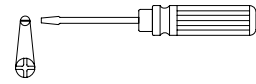
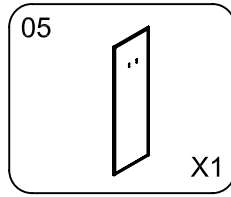
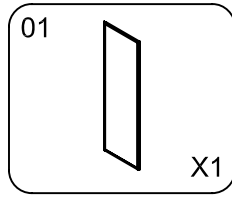
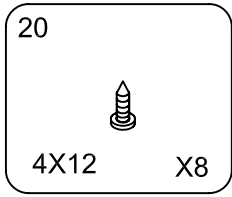
PRODUCT EXPLOSION FIGURE

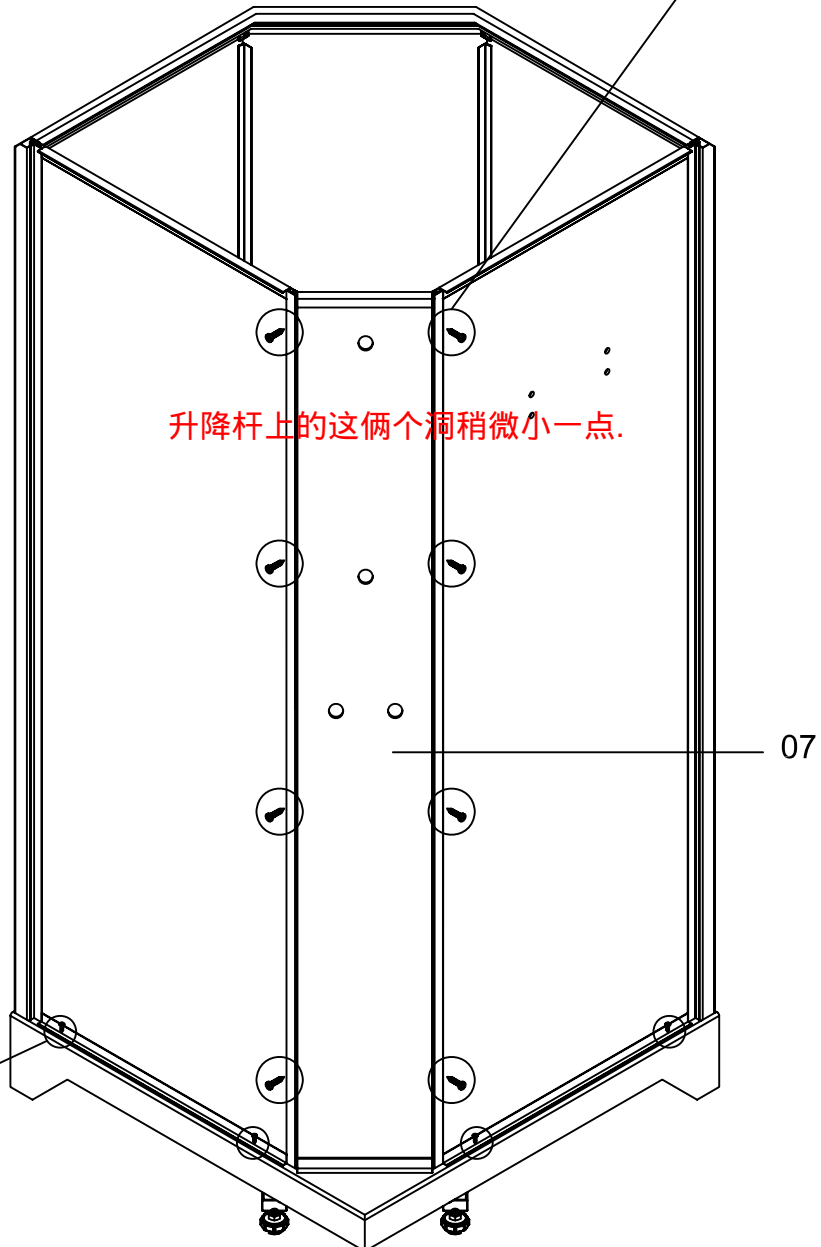
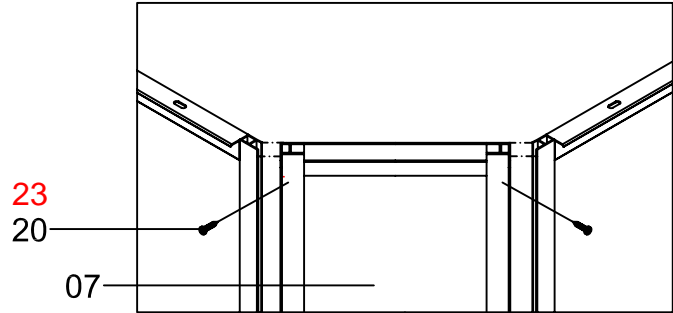
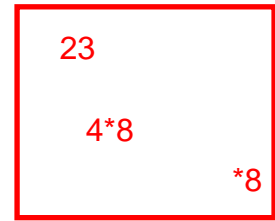
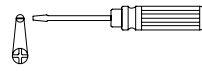
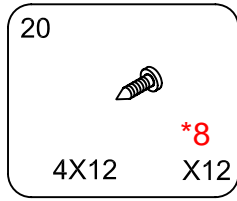
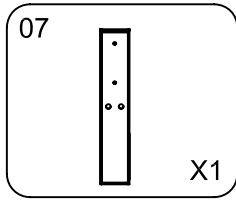












升降杆上的这两个洞稍微小一点.

