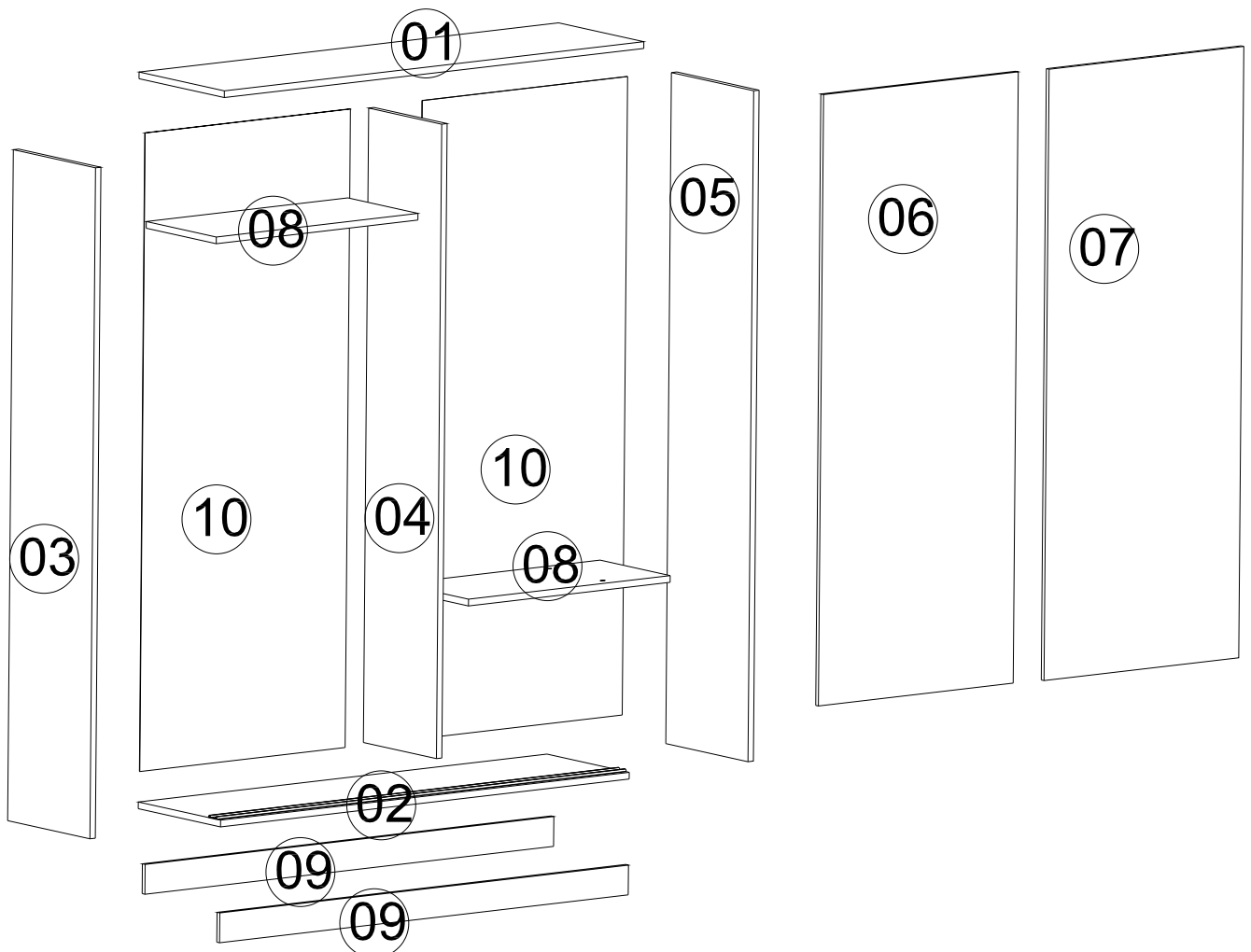


Santana Sliding Wardrobe

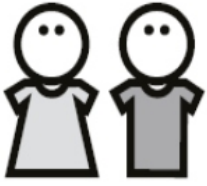
We're here to help - Do not return this product !

Call, email or find us online first !

- If you need help with assembly
- If you received a damaged or defective part
- If you are missing hardware



Read these assembly instructions carefully before beginning. Verify that you have in hands all the wood parts and hardware. Keep this document for future reference.



Two people are required to assemble and move this unit.



Safety First! Do not allow children to climb on or play with furniture.

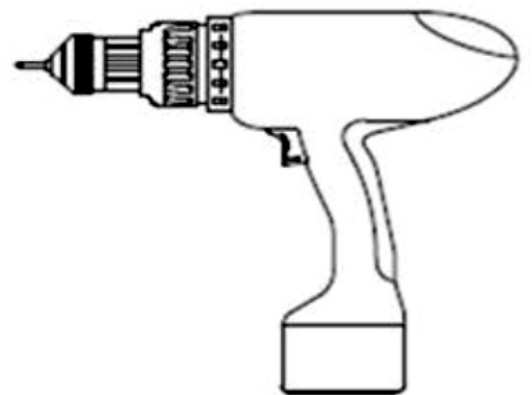
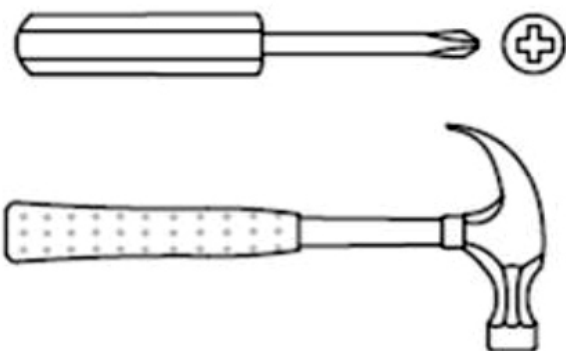
www.dow
Windows







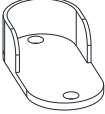
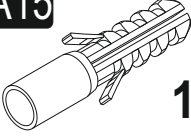
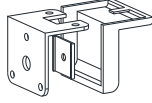





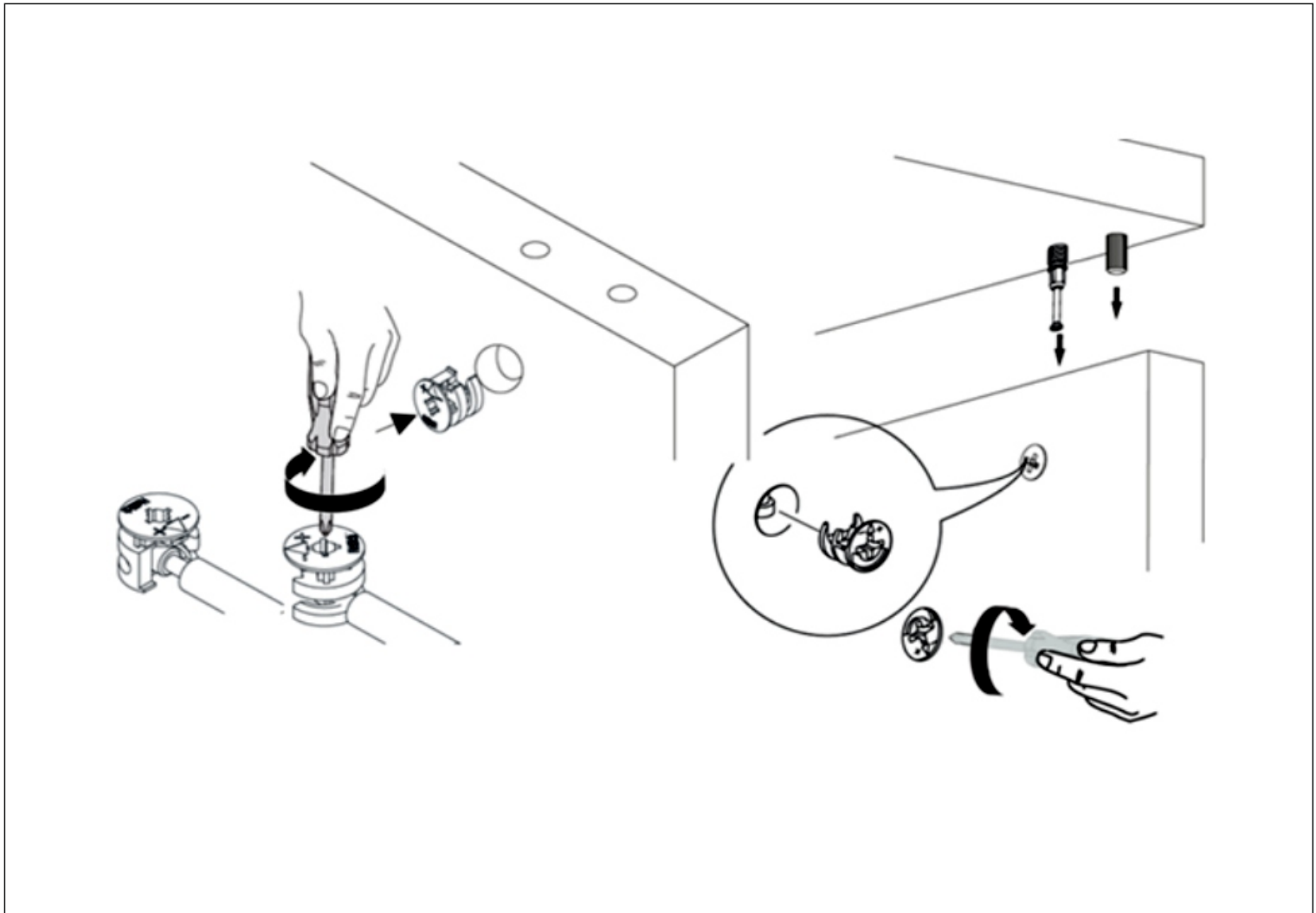
Never leave liquids or damp clothes on your furniture. Never use chemical product to clean your furniture. Do not place your furniture in direct sunlight.

To clean your furniture, dampen a soft cloth with a mild solution of dishwashing liquid. Squeeze excess water. Clean unit and wipe it dry.

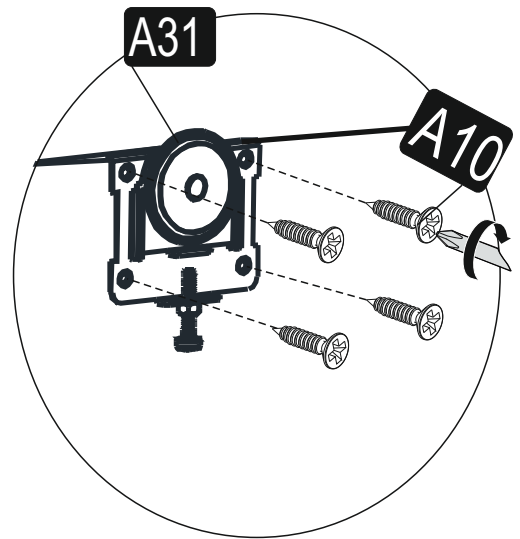
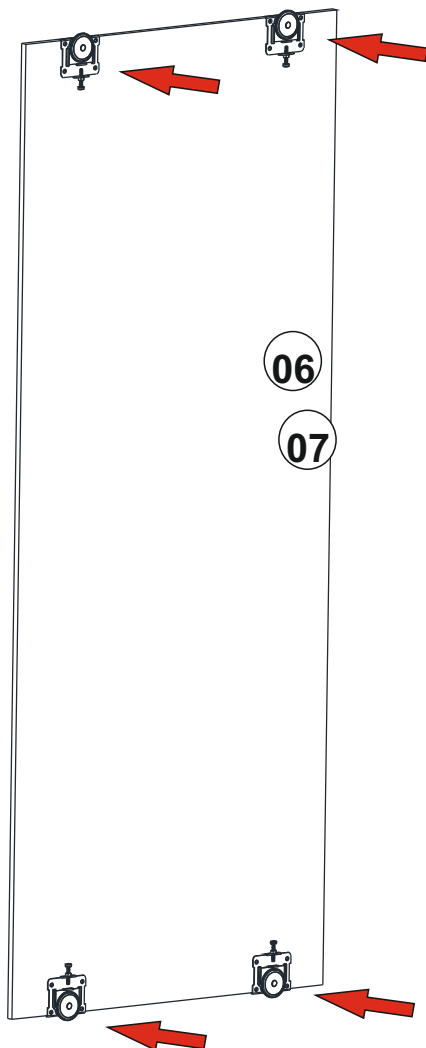
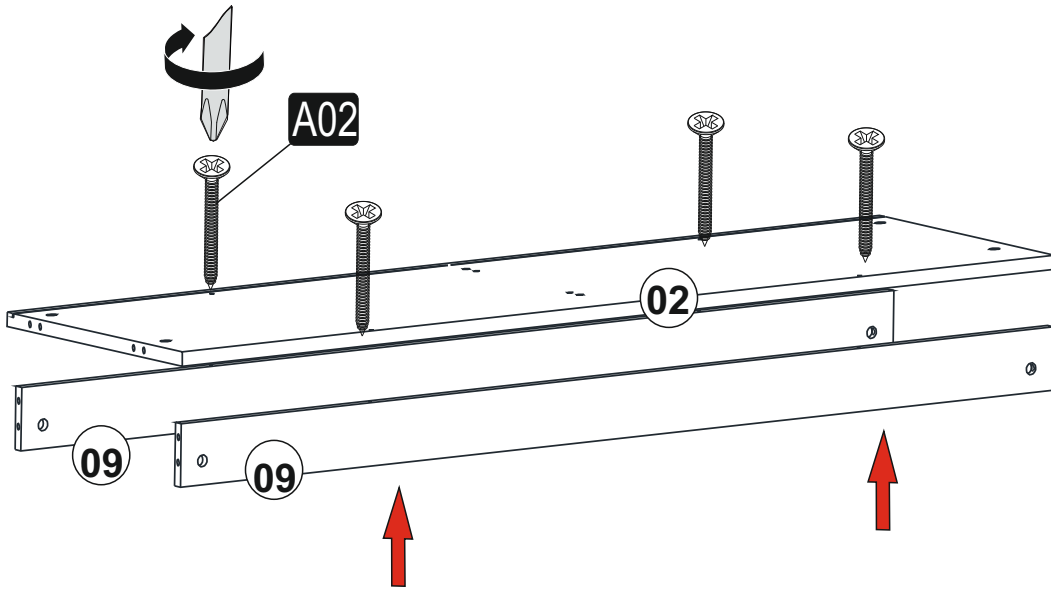
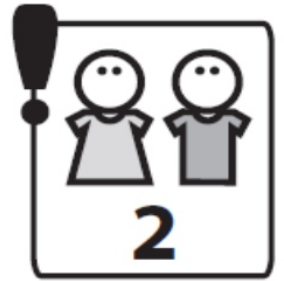
Tools required



A05  22x	A04  22x	A06  22x	A01 3,5 x 18  40x	A02 3,5 x 50  4x
A31  8x	A24 Askı Flanşı  4x	A15  1x	A16  1x	A17  22x
A19 3,5 x 70  1x	A21  2x			

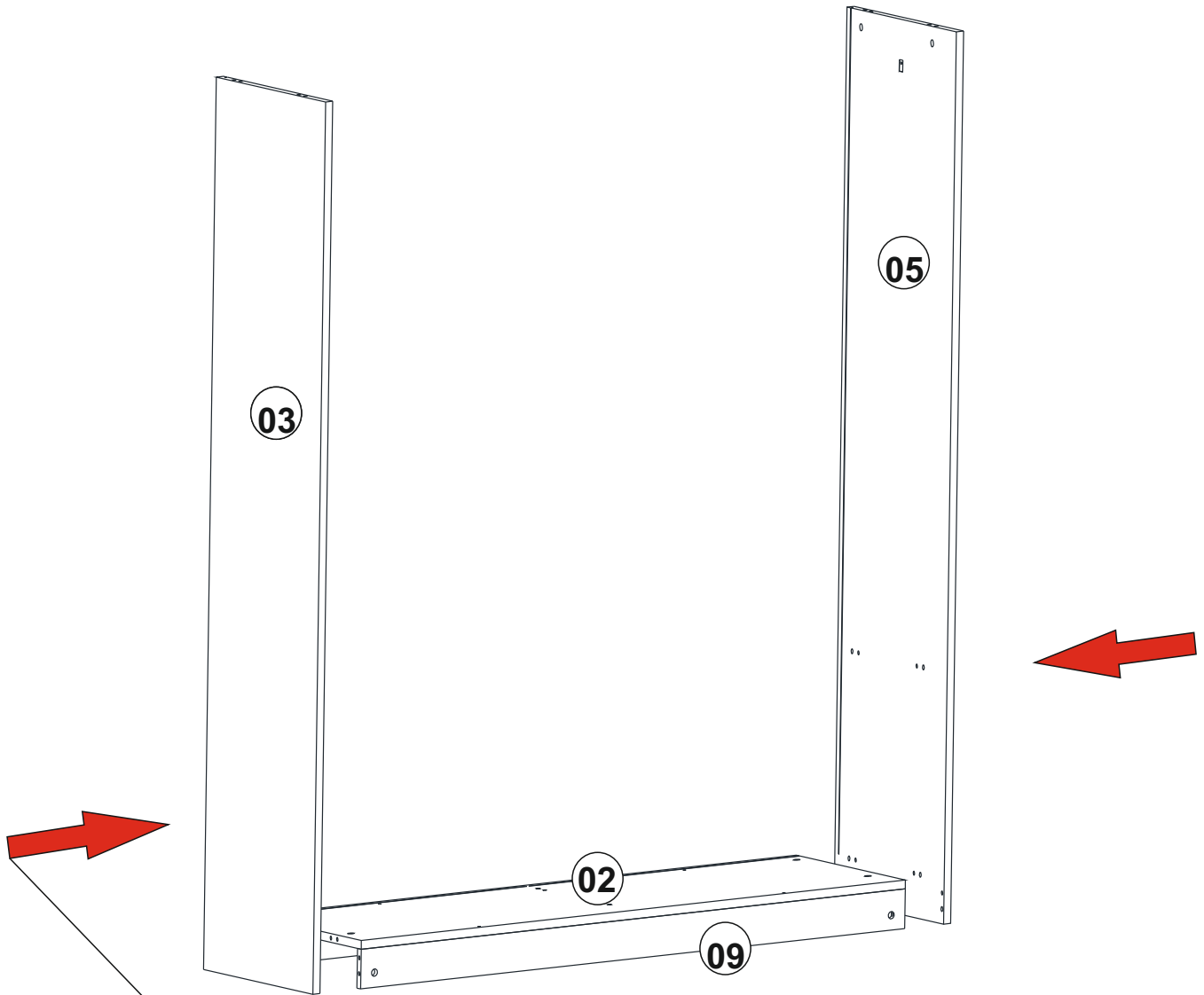
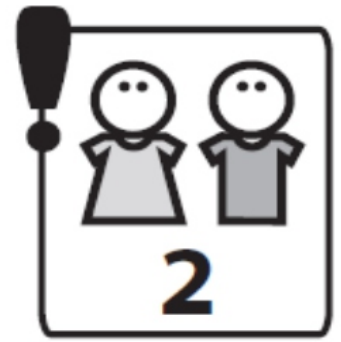
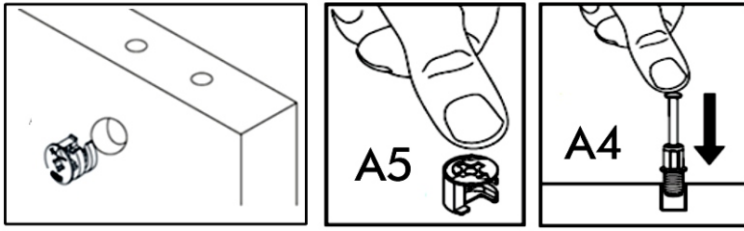


Attach piece 2 to piece 9



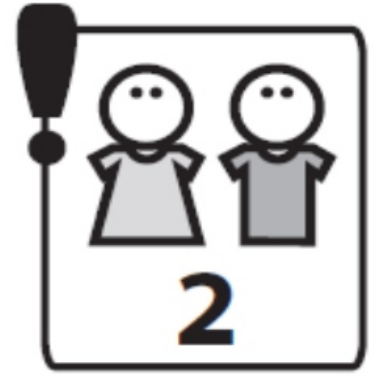
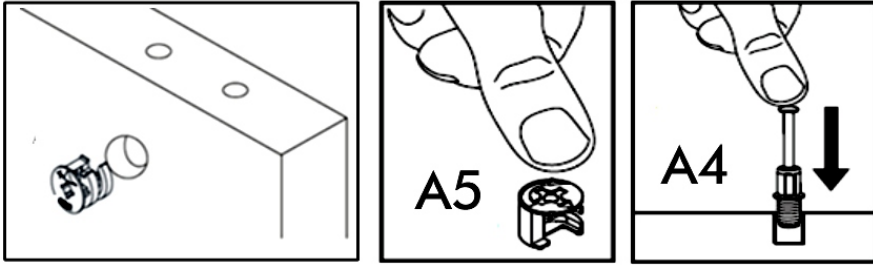
connect the slider wheel to the covers

Pres firmly into the hole



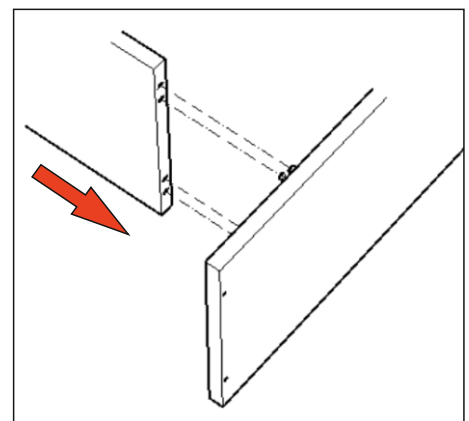
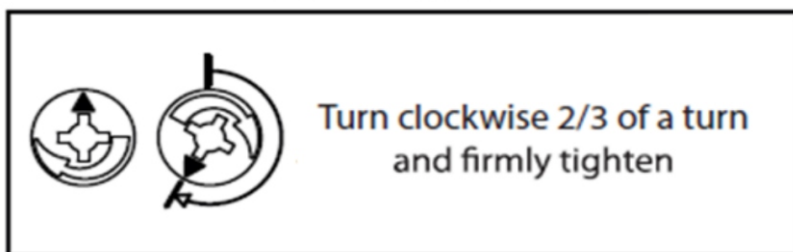
**Attach parts 3 and 5
to parts 2 and 9**

Pres firmly into the hole

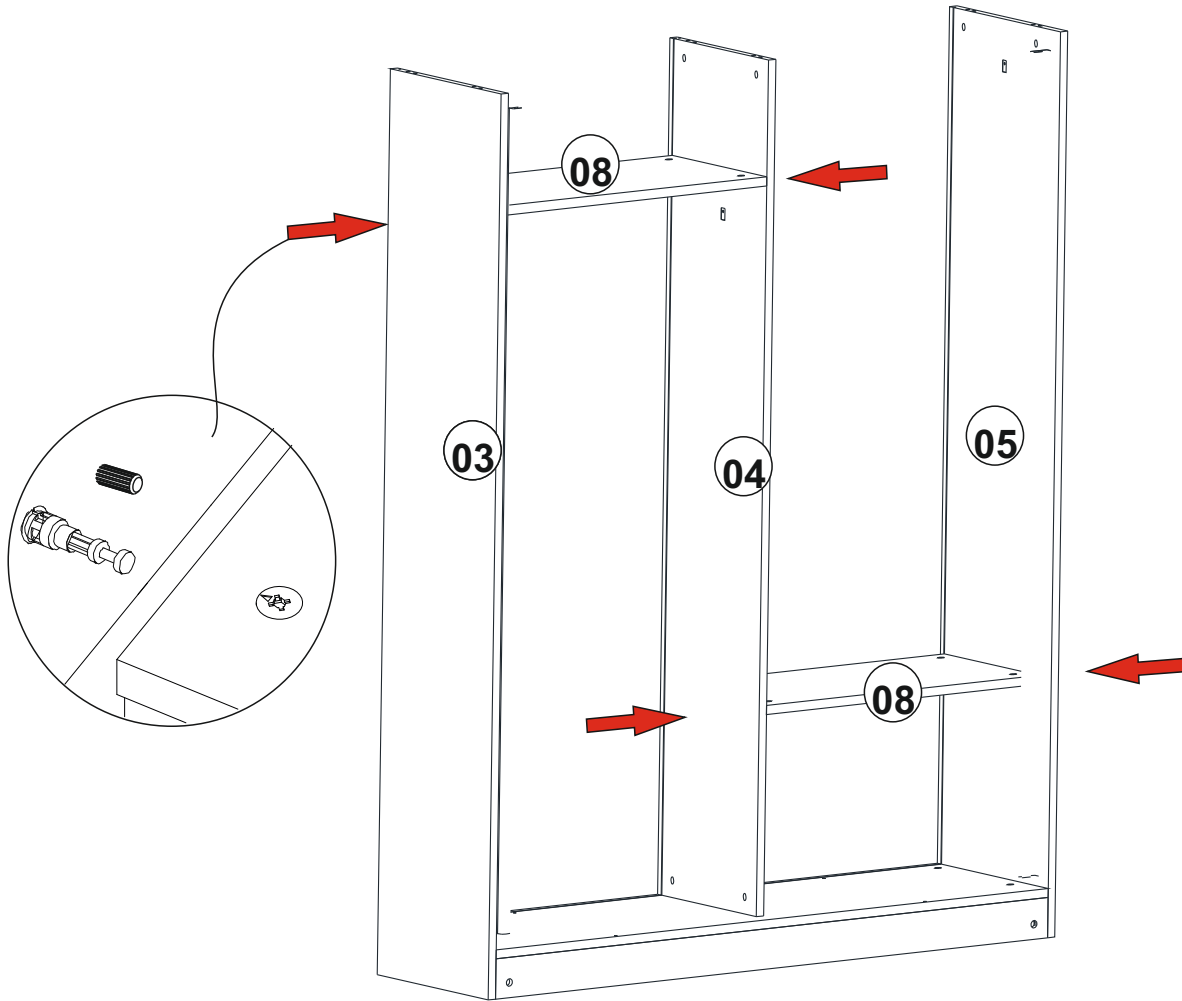
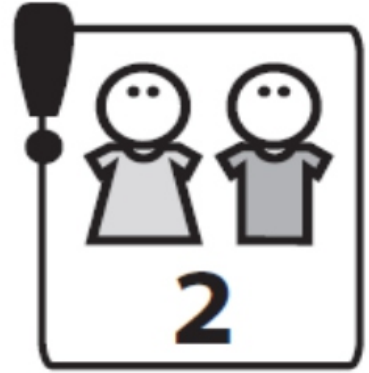
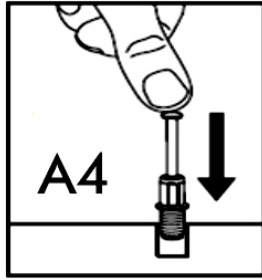
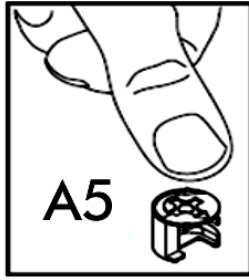
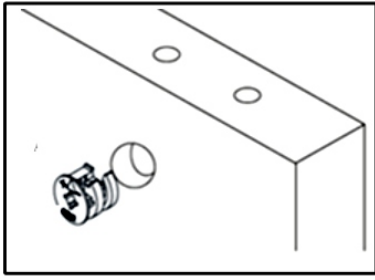


Attach piece 4 to piece 2

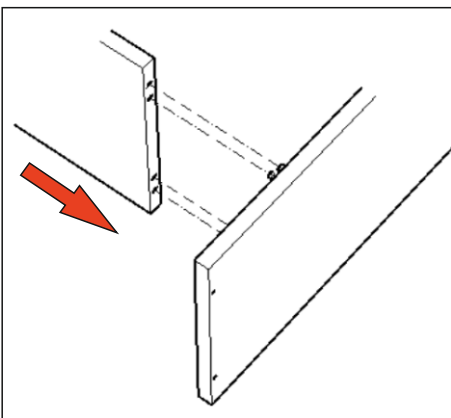
IMPORTANT

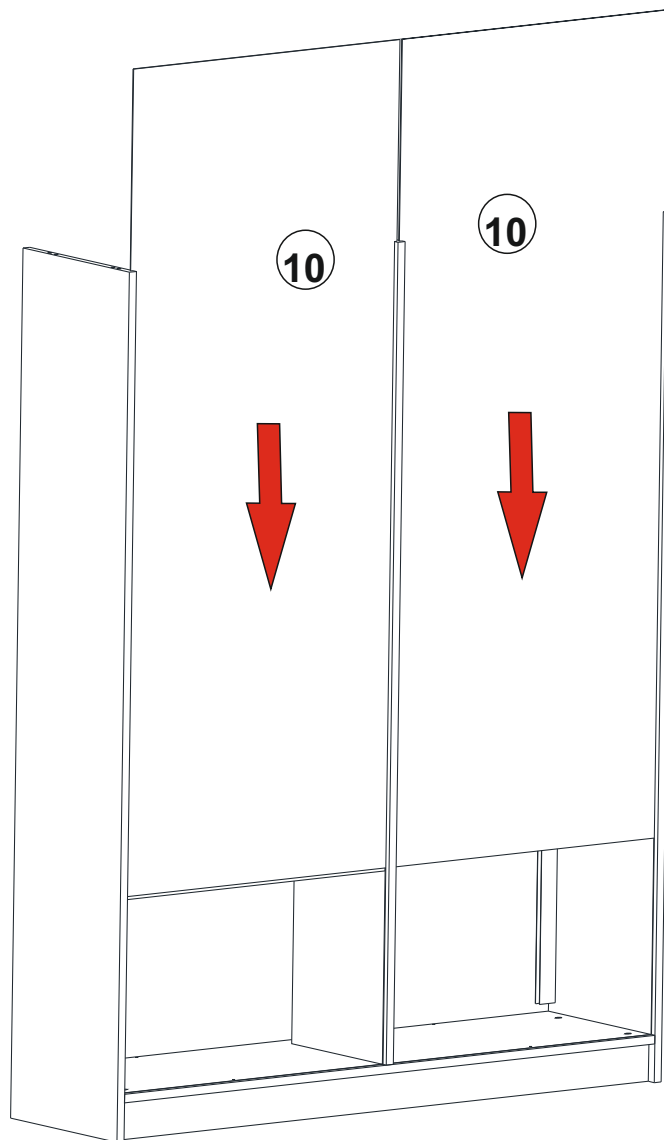
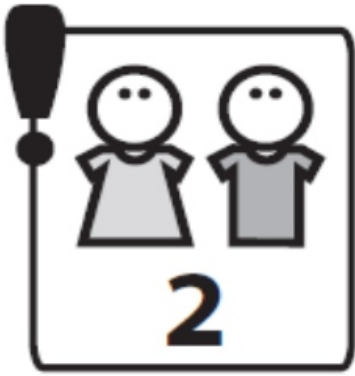


Pres firmly into the hole



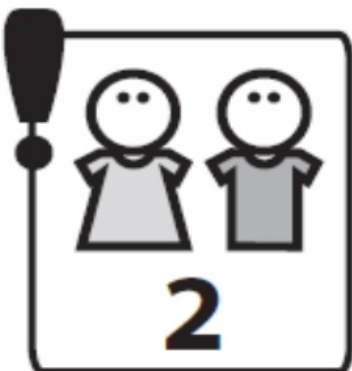
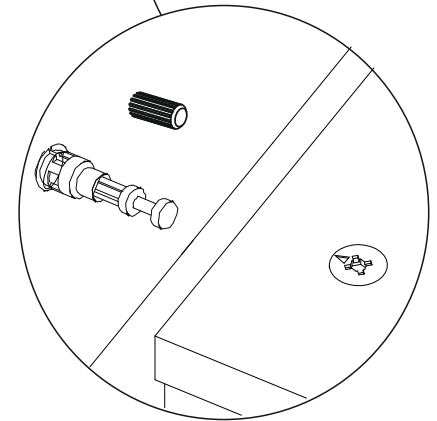
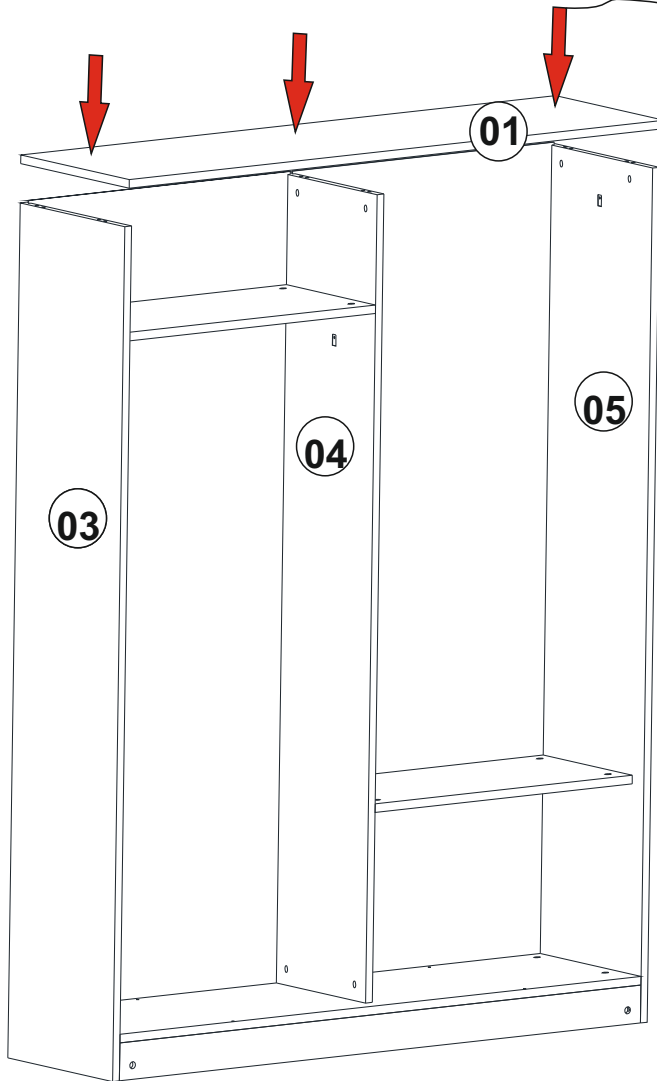
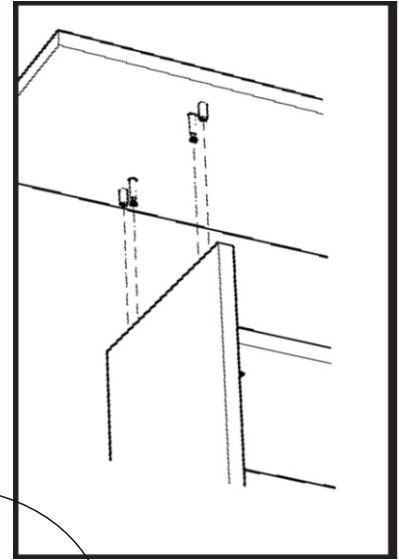
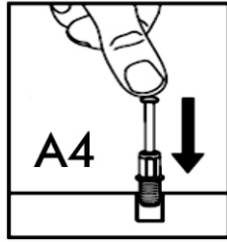
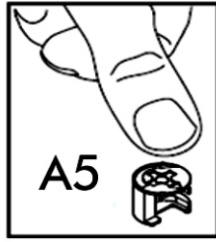
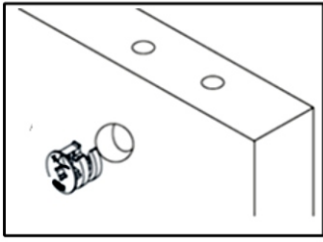
Attach parts 8 to parts 3-4 and 5





insert the backs into their channels

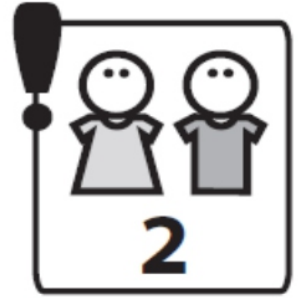
Pres firmly into the hole



Connect panel 1 to panels 3-4 and 5

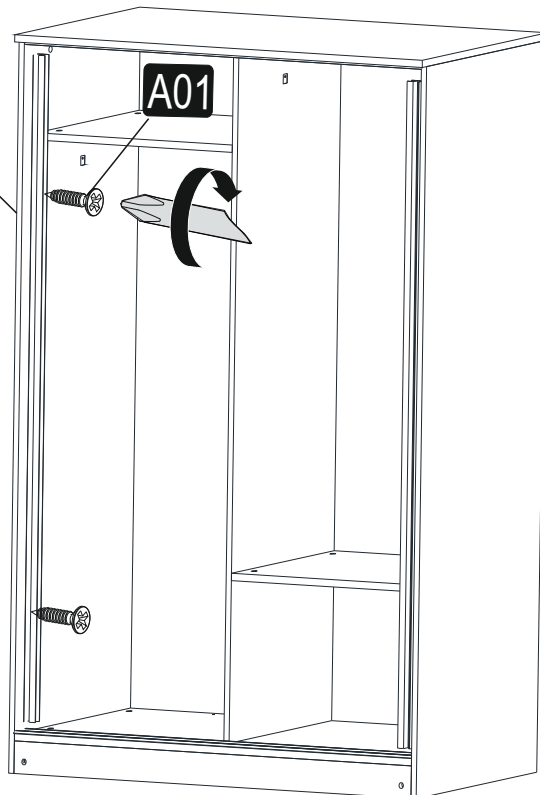


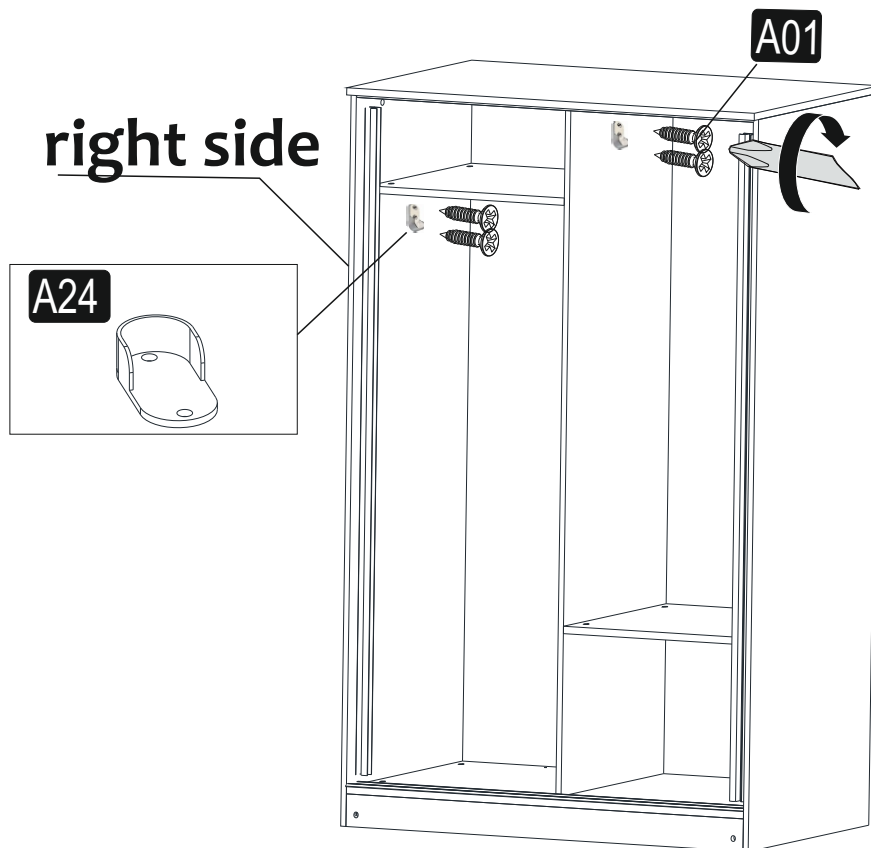
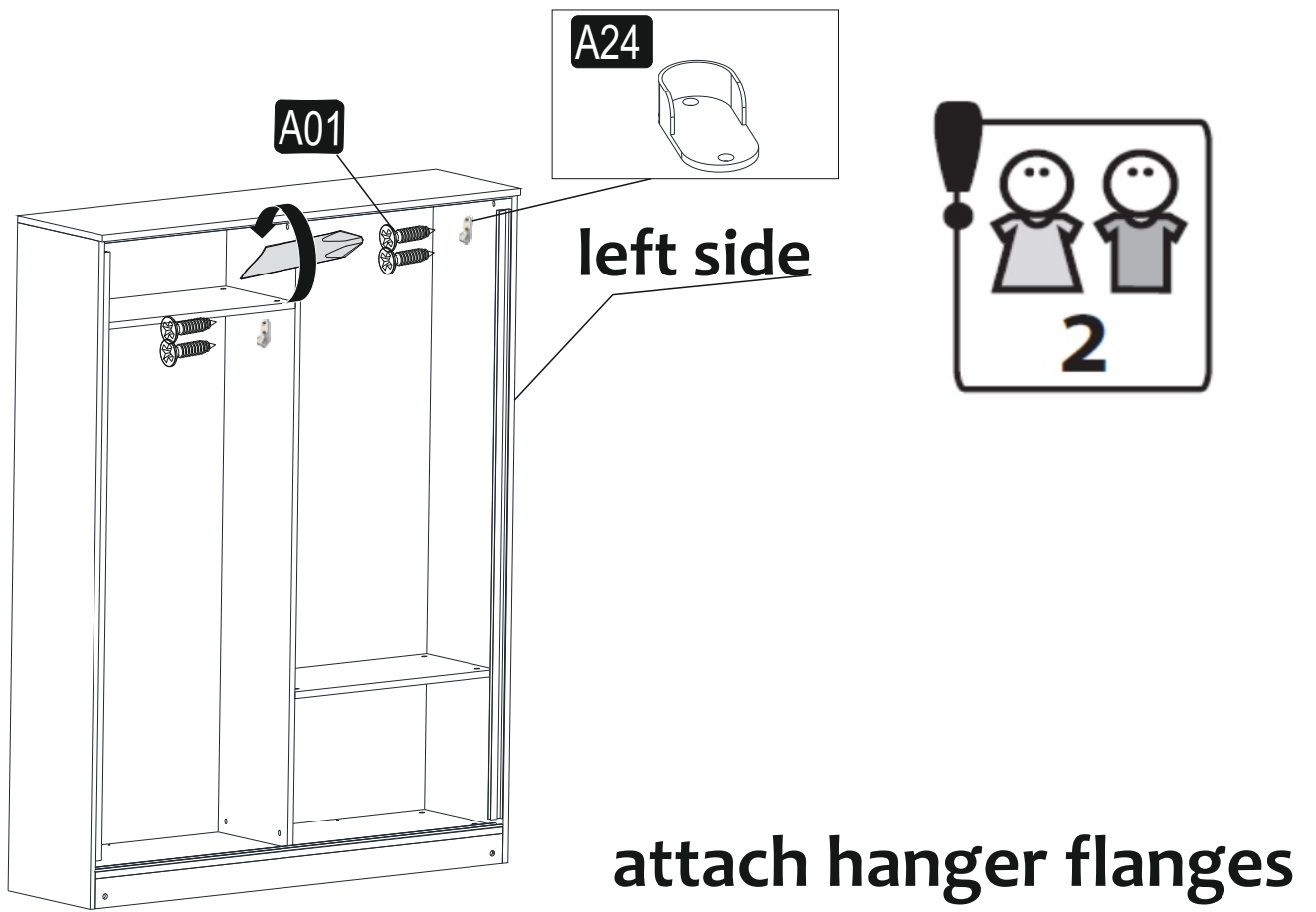
left side

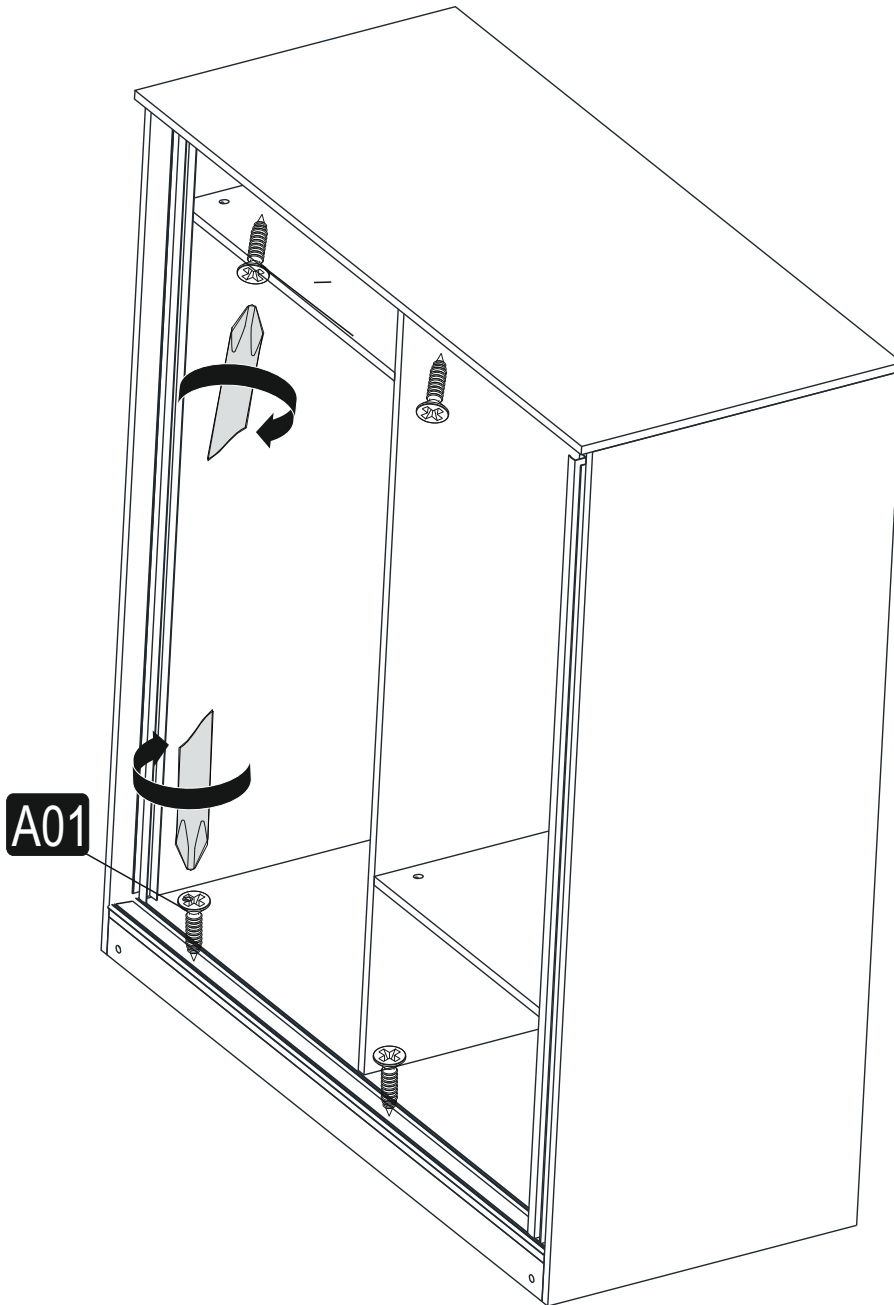
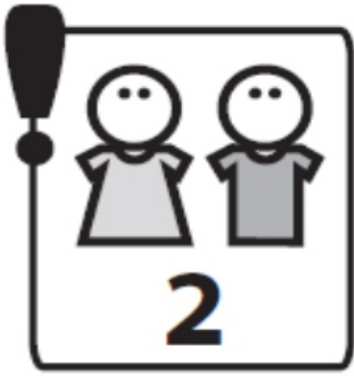


replace the cap stops

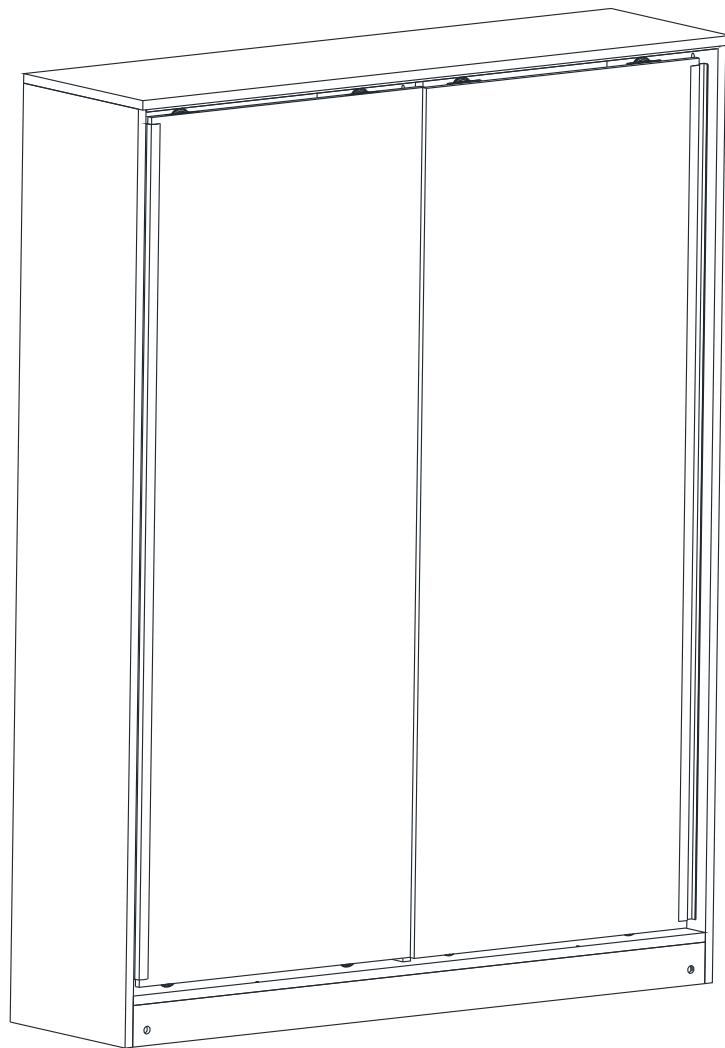
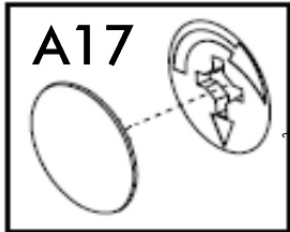
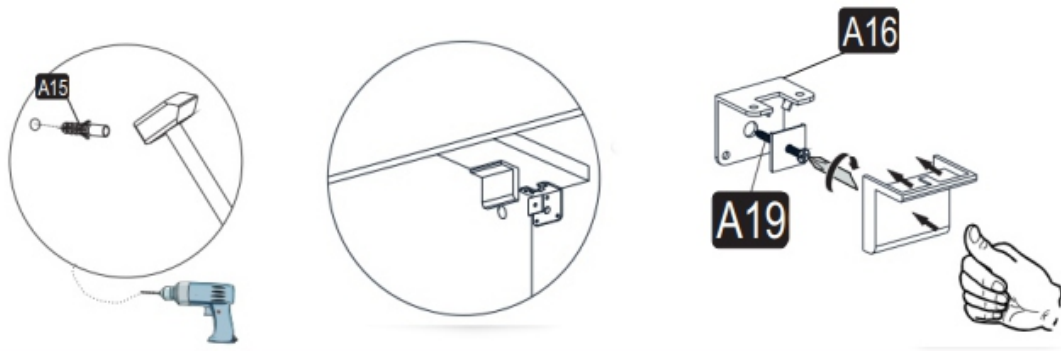
right side







reassemble the cover rails



Do not forget to fix the product on the wall

