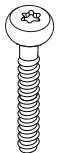


Ax1



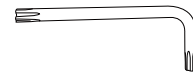
Bx4



①x12

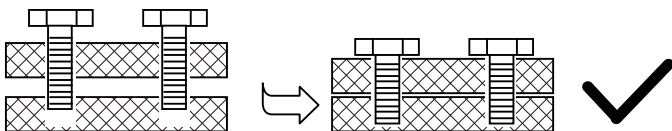


②x12

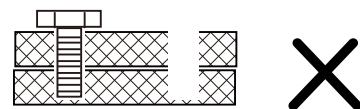


③x1

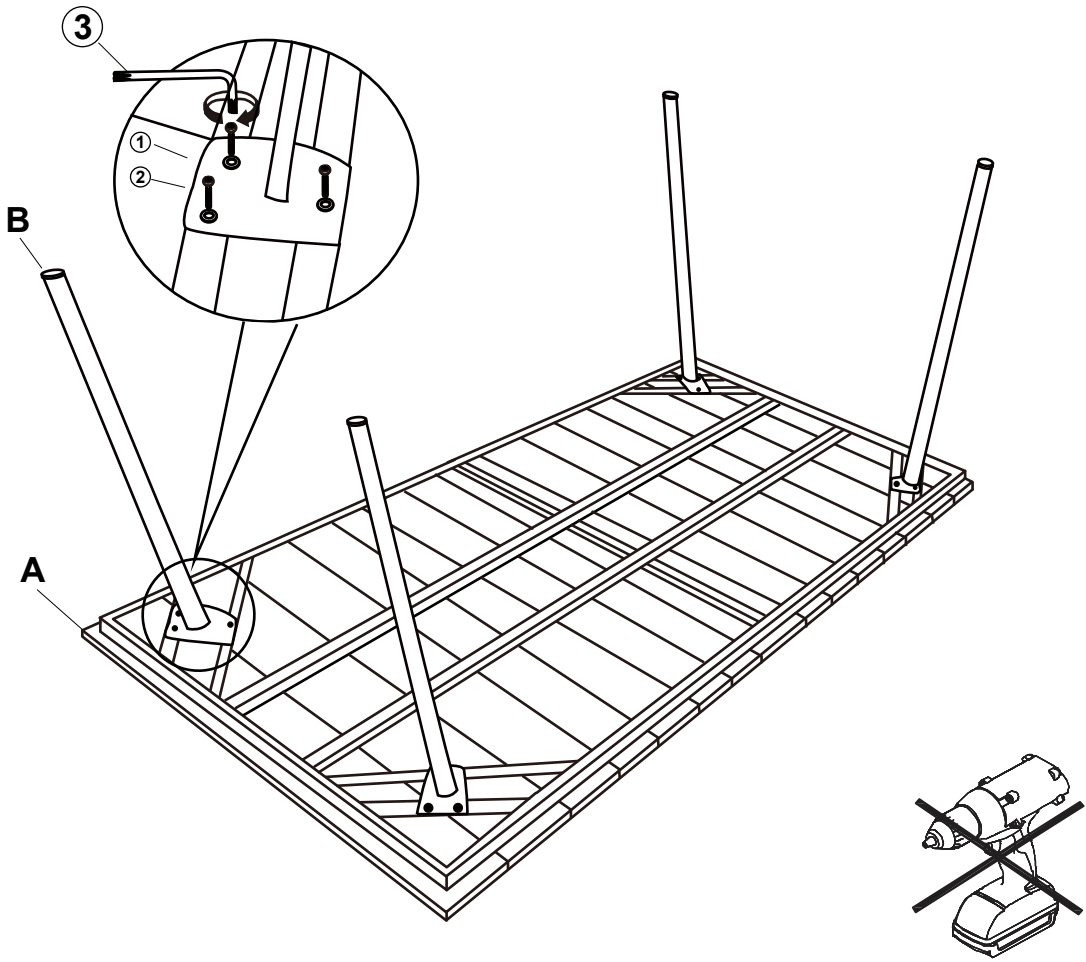
Install all the relevant screws, but do not tighten them completely at the very beginning. Tighten the screws fully one by one.



Don't tighten up the screw before you start next mounting during the installation.



1



2

